





# The Professional Lighting

for Photo, Video, Cine & Theatrical

SourceBook

# Section 13

Accessories - Miscellaneous

## Bags and Cases

f.64/Impact/Pelican .....	784
Lightware .....	785-789
Tamrac .....	790-791
Tenba .....	792-793

Lamps .....	794-795
-------------	---------

## Rails and Accessories

Manfrotto .....	796-801
Photogenic .....	802-803

## Posing Stools/Tables and Accessories

ALM/Impact .....	803
Delta .....	803-804
Photogenic .....	805

## Shooting Tables and Accessories

Delta .....	806
Cloud Dome .....	807
Lastolite .....	810
Manfrotto .....	807
MK Digital Direct .....	808-809
Photek .....	810
Samigon .....	807
Smith Victor .....	807

## Handtrucks and Carts

Music Industries .....	813
Remin .....	813
Rock N'Roller .....	811
Ruxxac .....	811
Wesco .....	812

## Tools

Leatherman .....	814-815
------------------	---------

**f.64 LIGHTSTAND BAG**



**Light Stand Bag (LSB)**

The LSB is designed to carry light stands. A roomy internal pocket will hold umbrellas while two zippered pockets on the ends hold accessories. Carry it either by its detachable shoulder strap or the wraparound leather carrying handle.

Dimensions: Interior - 7" x 7" x 36" (18x18x91cm) Color: Black  
**Item # F6LSB .....34.95**

**IMPACT BAGS**

**Lightstand Bag (A4196)**

Made of polyester with vinyl coated backing. Weight: 3.31 lbs. (1.5kg) Dimensions: 36 x 8.5 x 8.5" (92x21.6x21cm)

**Item # IMLSB.....79.95**

**Light Kit Bag (A4235)**

Constructed of Ballistic nylon. Has PVC feet on the bottom of bag for extra protection. Case and dividers are padded with high-density foam for protection, extra body and durability. Removable top tray that holds light stands and umbrellas. Five foam dividers with hook and loop fasteners. Has adjustable webbed carrying straps with padded handle wrap for convenient hand or shoulder carrying.

Weight 6.4 lbs. (2.9kg).  
 Dimensions: 34½ x 10 x 9" (88x25x23cm)  
**Item # IMLKB.....44.95**



# PELICAN

**Lighting & Camera Equipment Wheeled Case (PCS104)**

Offers a main compartment that holds SLR, medium format, video or lighting equipment in a removable divider tray set that keeps all your equipment organized. The two flip top compartments conveniently hold light stands, umbrellas, tripods and other accessories in place and offer easy access from the top even when the case is closed. The two ergonomic molded grab handles make it easy to lift this case in and out of your vehicle, and the inline skate wheels and retractable locking handle make moving equipment a snap. Adjustable straps and catch pockets on both sides secure larger tripods and light stands.

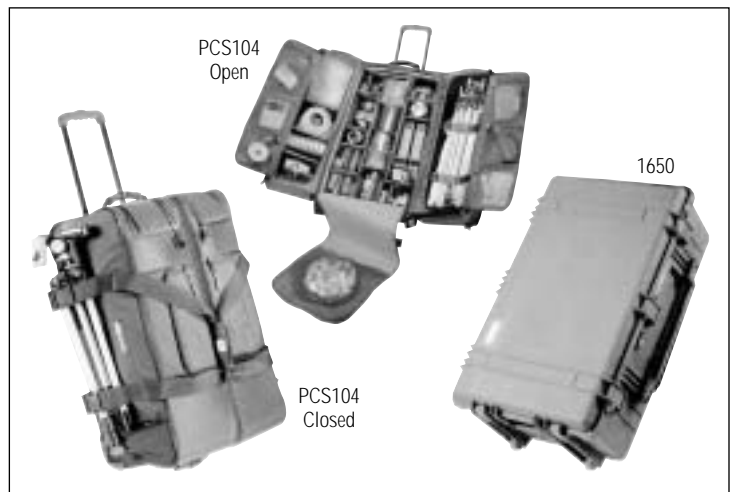
Dimensions:  
 Internal - 25" x 15" x 5½" (63x38x13cm)  
 External - 28" x 17" x 14" (71x43x35cm)  
**Item # PELCEWC .....324.95**

**Transportable Protector Case (1650)**

Thick wall construction and massive seven lock latch integrity make this rollaway equipment vault standard issue for working pros who demand the finest in unbreakable portable protection cases.

The 1650 Case is O-Ring watertight, airtight, dustproof, crush-proof and built Pelican tough! Equipped with foam for total equipment protection. Features include fold down main handle, 7" extension handle, large side trunk handles, seven large latches, 2" hard rubber wheels, atmospheric pressure purge valve and a personalized nameplate available (engraved at additional cost).

Dimensions:  
 Internal - 29" L x 17½" W x 10½" D (74x45x27cm)  
 External - 32½" L x 20½" W x 11½" D (83x52x29cm)  
 Color: Black



**1650 Case w/Foam Insert (PC1650)**  
**Item # PE1650FB .....172.95**

**1650 Case w/Dividers (PC1654)**  
**Item # PE1650DB .....226.29**

**1650 Case w/o Foam (PC1650NF)**  
**Item # PE1650B .....148.17**

**Replacement "O" Ring (PC1653)**  
**Item # PEOR1650.....3.39**

**Replacement Foam Set (PC1651)**  
 4 Pieces.  
**Item # PEFS1650.....48.42**

**Pick & Pluck Foam Only (PC1652)**  
 2 Pieces.  
**Item # PEFS1650Q.....37.02**

**Padded Divider Set (PC1655)**  
**Item # PEDS1650.....92.31**

## MULTI FORMAT CASES

### MULTI FORMAT CASES

*The unique qualities that set Lightware Multi Format Cases apart from all other cases are revealed in the shell. The interior super structure of all Lightware Multi Format Cases is a special rigid inner shell that is lightweight, insulative shock absorbent and molded into a complete unibody shell. In other words, there are no joints to come apart. It's made from high density expanded closed cell foam sandwiched between a high impact polymer skin. This creates a lighter case that you can depend on to protect your livelihood.*

*Lightware offers many convenient Multi Format sizes to accommodate all of your packing needs. Most of all the Multi Formats also come with an outside slash pocket to store your color cards, model releases, layouts or similar items. This specially designed pocket accepts the new Multi Z pocket, which is actually a mini briefcase with a removable mesh film bag. This comes in handy at airport x-ray security counters. Better yet, the lid of these cases, when open can be used as a handy clean work surface to load cameras or lay film backs on when working on location.*

*Just because they're called Multi Format Camera Cases, doesn't mean you are only allowed to carry camera equipment in these cases. Whether you need to fit a medium format and / or 35mm system, with packs heads, stands and umbrellas, Lightware has a Multi Format Case that will work for you.*

*You will find these cases great to carry a variety of smaller strobe equipment and flash heads. Also many of the 4x5 field cameras will fit nicely into these cases, as well as film, meters, film holders, lenses, and a myriad of other accessories.*

*The beauty of these cases is that they allow you to get organized and the more organized you are, the less chance there will be that you'll end up in Timbuktu minus some essential piece of gear.*

#### Multi Format 1629 Case (MF1629)

This is the largest version of the "shell" style cases. Pack in your strobes, heads umbrellas and stands and you're set for a great day of location shooting. As with all of the MF series cases the dividers can be cut and arranged to fit a vast array of complete lighting systems. Pack in Travellers, Dyna-Lites, Profotos, Normans, Speedotron and probably most any other pack you might have. Add in some heads and cables, soft boxes and stands and discover just how much of a good system can be packed inside of one case. This case does not have an outside pocket, but you can add an optional shoulder strap at any time to help bear the load. The case is also designed so that its width can be wheeled through a standard commercial doorway.

Dimensions: Outside - 31"L x 17.5"W x 12"H (79x44x30cm)

Inside - 29"L x 15.5"W x 10"H (74x39x25cm)

Weight: 13.25 lbs. (6.0kg) (without dividers)

Item # LIMF1629.....389.95

#### Multi Format 1623 Case (MF1623)

The MF1623 case is to large to be carried on board, however it can be checked as baggage with confidence. The MF11623 has all the same wonderful features as the other Multi Format cases with the exception of an outside pocket. This size can handle Dyna-Lites, Comets, Balcars, Profotos, Speedotron 1205's, White Lightning, Ultras, Sunpacks, LTM Peppers, Omni Lights, Normans and anything else that will fit into these dimensions.

Dimensions: Outside - 25"L x 18"W x 10"H (64x46x25cm)

Inside - 23"L x 15.5"W x 8"H (58x39x20cm)

Weight: 10.25 lbs. (4.6kg) (without dividers)

Item # LIMF1623.....335.95



### MULTI MATE CASES



With the brand new Multi mate, you can turn your current Multi Format 2012, 1420, or 1623 into a rolling case. Simply place your Multi Format into the tray and securely buckle it in. The Multi Format is held in place with 2" wide webbing with a buckle closure that allows you to work out of the case even while it's in the MultiMate. Your once heavy burden is now a snap to handle through airports and on the job locations. The advantage the MultiMate has over other rolling cases is that it is not permanently attached to the case. Therefore, you can switch out cases to have wheels or not have wheels depending on the photographer's needs. In addition, the Multimater is an add-on feature to your existing Lightware case, so you don't have to buy another case. Plus, the MultiMate does not take up valuable packing room on the inside of the case. Better yet, should you be traveling on a small plane with small overhead compartments, simply remove the MF2012 case from the MultiMate 2012 and gain a smaller case to squeeze into a smaller space. The handle assembly is incorporated in the body of the tray so it is well protected from luggage eating conveyor belts and uncaring baggage handlers. Additionally, the handle retracts neatly into a protective recess that lies completely flush to the top of the case. The entire unit can also be checked safely as luggage.

- |   |   |   |
|---|---|---|
| MultiMate 2012 (MM2012)<br>Airline Carry-on Size, fits MF2012 case.<br>Item # LIMM2012..... <b>109.95</b> | MultiMate 1420 (MM1420)<br>Airline Checkable, fits MF1420 case.<br>Item # LIMM1420..... <b>119.95</b> | MultiMate 1623 (MM1623)<br>Airline Checkable, fits MF1623 case.<br>Item # LIMM1623..... <b>125.95</b> |
|---|---|---|

### POWER KIT CASES

*Lightware Power Kit cases have withstood the test of time and proven that their construction is hearty enough to withstand the toughest travel conditions without fail. These cases are built with an internal, super lightweight structure of GE Lexan. They are then covered with shock absorbent closed cell foam with padded hook and loop compatible tricot. This is all encapsulated in the standard shell of puncture and abrasion resistant ballistic fabric. The best thing about these cases is that they come with moveable dividers for greater case versatility in order to handle a variety of packing needs. Shorter dividers are available or with a little cutting and re-sewing, these dividers can also be shortened in height to allow stands, umbrellas or soft boxes to be packed into cases along with strobe heads, packs and accessories. The end result is a case with superior shock absorption, enough rigidity to bear a sizeable load of weight and a wall of Lexan to ward off the puncture demons.*



- |  |  |  |  |
|--|--|--|--|
| Power Kit 1200 (PK1200)<br>Packing suggestions:<br>2-Dyna-Lite M1000R and 2-heads.<br>Dimensions:<br>Outside: 17" L x 10" W x 15" H (43x25x38cm)<br>Inside: 14" L x 7" W x 12" H (36x18x30cm)<br>Weight: 5.25 lbs. (2.4kg) (without divider)<br>Item # LIPK1200..... <b>254.95</b> | Power Kit 1400 (PK1400)<br>Packing suggestions:<br>1-Elinchrom 101, 202, 1500 or 3000 pack.<br>Dimensions:<br>Outside: 22.75" L x 10" W x 17.5" H (58x25x44cm)<br>Inside: 19.75" L x 7" W x 14.5" H (50x18x37cm)<br>Weight: 8 lbs. (3.6kg) (without divider)<br>Item # LIPK1400..... <b>289.95</b> | Power Kit 1600 (PK1600)<br>Packing suggestions:<br>2-Dyna-Lite M1000R packs and 6-heads.<br>Dimensions:<br>Outside: 29.75" L x 10" W x 19" H (76x25x48cm)<br>Inside: 26.75" L x 7" W x 16" H (68x18x41cm)<br>Weight: 11 lbs. (5.0kg) (without divider)<br>Item # LIPK1600..... <b>339.95</b> | Power Kit 1800 (PK1800)<br>Packing suggestions:<br>1-Elinchrom 404 or 6000 and 1-head.<br>Dimensions:<br>Outside: 31.5" L x 10" W x 21" H (80x25x53cm)<br>Inside: 28.5" L x 7" W x 18" H (72x18x46cm)<br>Weight: 12 lbs. (5.4kg) (without divider)<br>Item # LIPK1800..... <b>384.95</b> |
|--|--|--|--|

## MISC. / CARGO CASES



### FOUR STROBE HEAD CASE

**Four Strobe Head Case (T4444)**  
This case is designed specifically for four strobe heads, but can be used for an infinite range of goodies. It will fit four Speedotron 102 heads, a variety of the Travelite systems, or 4-5 White Lightnings, two Dyna-lite M2000R packs and 4 heads plus accessories, 4 Elinchrom T Heads, or even a Hasselblad projector and accessories.

**Dimensions:**  
Outside: 31" L x 11" W x 18" H (79x28x46cm)  
Inside: 28" L x 8.5" W x 15" H (71x21x38cm)  
Weight: 11.25 lbs. (5.1kg) (without divider)

**Item # LIT4444 ..... 344.95**

### SPEEDPACK CASE

**SpeedPack Case (S1010)**  
Sized around the Speedotron 4803, this case will accommodate the Speedotron 812, 1205, 2401B or 2403. Will also fit a Broncolor Pulso 2 or 4 power supply or two Bowens Monolights. Perhaps your 8x10 Deardorff with an 8x10 film holder needs a home or if you scuba dive, this can also work for an underwater housing.

**Dimensions:**  
Outside: 17.5" L x 12" W x 19.25" H (44x30x49cm)  
Inside: 14.5" L x 9" W x 16.25" H (36x23x41cm)  
Weight: 7.5 lbs. (3.4kg) (without divider)

**Item # LIS1010 ..... 255.95**

### STROBE HEAD CASE

**Strobe Head Case (T3040)**

As a strobe case the T3040 works for 3 larger flash heads such as Elinchroms, Speedotrons or Broncolor, or works for several small heads like 6 Comet CX series heads plus accessories, or 9 Norman flash heads.

**Dimensions:** Outside: 24.5" L x 11.5" W x 18" H (62x29x46cm)  
Inside: 21.5" L x 8.5" W x 15" H (55x22x38cm)

Weight: 9.25 lbs. (4.2kg) (without divider)

**Item # LIT3040 ..... 289.95**

### CARGO CASES

*Some equipment has a very special shape, so it needs a special case. That's why Lightware makes Cargo Cases. These extra light, super strong cases have pliable .5" Duralight foam at their core. What a wonderful way to lighten up all your location work. Cargo Cases are made to carry all sorts of equipment that's not particularly delicate. Good for your light stands, your tripods, your booms, umbrellas and power cables. Toss in some portable light-banks, head extension cables, clips, tape and diffusion materials. Add some tools, black velvet, a little air, grids, barn doors, gels and reflectors. If you want to carry flash heads or smaller strobe power supplies in a Cargo Case, first pack them inside a Head Pouch, then slip them inside the Cargo. Because the Cargo Cases and Head Pouches are designed to work together, use them both to protect all your less durable items. Also remember to remove reflectors from flash heads. Reflectors that get dented while attached to heads can be next to impossible to remove. Instead, add extra foam into the tube cover to keep flash tubes secure. And now to ease your load, the 52", 42" and 32" Cargo Case sizes now come with convenient end handles.*

**24" Cargo Case (C6024)**

**Dimensions:**  
Outside: 24" L x 12" W x 12" H (61x30x30cm)

Inside: 23.5" L x 11" W x 11" H (60x28x28cm)

Weight: 3.5 lbs. (1.6kg)

**Item # LIC6024 ..... 134.95**

**32" Cargo Case (C6032)**

**Dimensions:**  
Outside: 32" L x 12" W x 12" H (81x30x30cm)

Inside: 31.5" L x 11" W x 11" H (80x28x28cm)

Weight: 4.5 lbs. (2.0kg)

**Item # LIC6032 ..... 154.95**

**42" Cargo Case (C6042)**

**Dimensions:**  
Outside: 42" L x 12" W x 12" H (107x30x30cm)

Inside: 40.5" L x 11" W x 11" H (103x28x28cm)

Weight: 5.0 lbs. (2.3kg)

**Item # LIC6042 ..... 184.95**

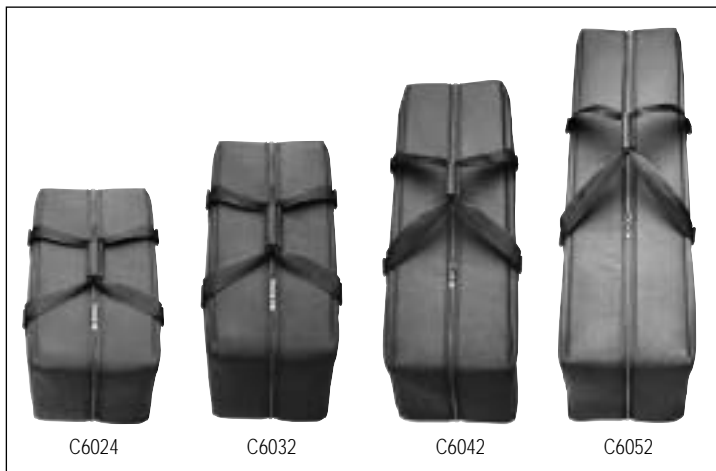
**52" Cargo Case (C6052)**

**Dimensions:**  
Outside: 52" L x 12" W x 12" H (132x30x30cm)

Inside: 48.5" L x 11" W x 11" H (123x28x28cm)

Weight: 6.3 lbs. (2.9kg)

**Item # LIC6052 ..... 224.95**



### ROLLING CARGO CASE

The new version of the rolling cargo is made with rigid interior structure housed in a standard black ballistic padded fabric. It has a flip lid top for quick accessibility and it comes with in-line skate wheels nested in a protective molded ABS kick plate. You'll find two quick release buckles on the lid of the case for quick closures for those times when you need to wheel the case from location spot to spot. There is an ergonomic molded end handle to wheel the case along as well as a handle on the side for instances when you need to carry the case. Both are bolted through the superstructure of the case so they will not pull out of the fabric. The interior lid has two sleeved compartments for soft boxes or umbrellas. Numerous dividers and pull out pockets come with the case to help organize your equipment efficiently. This airline checkable case is excellent for stands, lighting kits and accessories all in one case.



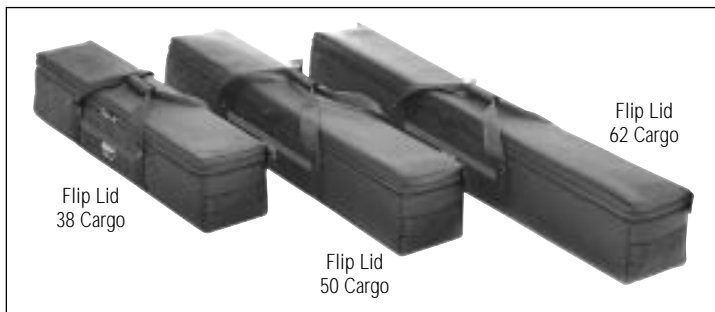
Rolling Cargo Case (RC1032)  
 Dimensions:  
 Outside: 39.25"L x 15"W x 13.5"H (100x38x34cm)  
 Inside: 36.25"L x 12"W x 10.25"H (92x30x26cm)  
 Weight: 23 lbs. (10.4kg)  
 Item # LIRC1032.....479.95

Rolling Cargo Case (RC1038)  
 Dimensions:  
 Outside: 40.75"L x 10.5"W x 9.25"H (104x27x23cm)  
 Inside: 38.75"L x 10 to 7"W x 8.5"H (98x25 to 18x22cm)  
 Weight: 9 lbs. (4.1kg)  
 Item # LIRC1038.....243.50

Rolling Cargo Case (RC1042)  
 Dimensions:  
 Outside: 48.75"L x 15"W x 13.5"H (124x38x34cm)  
 Inside: 45"L x 12"W x 10.25"H (114x30x26cm)  
 Weight: 24 lbs. (10.9kg)  
 Item # LIRC1042.....499.95

### FLIP LID CARGO CASES

These are terrific cases for those who want to carry only a few stands, soft boxes, umbrellas or a tripod. They're made like the Cargo Cases with a .5" Duralight construction, but instead of a center zipper, they have a three sided perimeter zipper creating the flip lid. When unzipped, this unique flip lid will stay open so you can easily load and unload your gear without the lid getting in the way, and their trim girth is much easier to handle. The longer cases can accommodate most longer stands, background poles, Bogen boom arms and tripods. So load them up and flip up those lids.



Flip Lid 38 Cargo Case (C6037)  
 Dimensions:  
 Outside: 39"L x 9"W x 8.5"H (99x23x21cm)  
 Inside: 38"L x 8"W x 7.5"H (96x20x19cm)  
 Weight: 3.5 lbs. (1.6kg)  
 Item # LIC6037.....170.95

Flip Lid 50 Cargo Case (C6050)  
 Dimensions:  
 Outside: 51"L x 9"W x 8.5"H (129x23x21cm)  
 Inside: 50"L x 8"W x 7.5"H (127x23x19cm)  
 Weight: 4.5 lbs. (2.0kg)  
 Item # LIC6050.....195.95

Flip Lid 62 Cargo Case (C6062)  
 Dimensions:  
 Outside: 63"L x 9"W x 8.5"H (160x23x21cm)  
 Inside: 62"L x 8"W x 7.5"H (157x23x19cm)  
 Weight: 5.75 lbs. (2.6kg)  
 Item # LIC6062.....239.95

### HEAD POUCHES

The practical Head Pouches are designed to be used inside the Cargo Cases and View Camera Cases. They can be hand carried or worn over the shoulder if fitted with a Lightware shoulder strap. Just like the Cargo Cases, head Pouches are made from .5" Duralight closed cell foam. Using your creative powers, you can find many uses for these light-weight and versatile pouches.



Small Head Pouch (H7010)  
 A great way to carry smaller flash heads, film holders, CC Filters or 4x5 lenses.  
 Dimensions:  
 Outside: 10"L x 6"W x 6"H (25x15x15cm)  
 Inside: 9"L x 5"W x 5"H (23x13x13cm)  
 Weight: .75 lb. (0.3kg)  
 Item # LIH7010.....62.95

Large Head Pouch (H7020)  
 Will fit larger flash heads like Speedotron, Broncolor, Elinchrom or smaller sized strobe units. Great for film holders and 4x5 lenses too.  
 Dimensions:  
 Outside: 14"L x 8"W x 8"H (36x23x23cm)  
 Inside: 12.5"L x 7"W x 7"H (32x18x18cm)  
 Weight: 1.5 lbs. (0.8kg)  
 Item # LIH7020.....74.95

### SOFT SIDED CASES

*Soft side cases are designed to carry your equipment around in the luxury of an extra lightweight case. They are great for the photographer who doesn't necessarily need the protection of Lightware's standard cases and generally either carries equipment on board the airplane or just travels "around town". Made from .5" Duralight their unique design allows you to unzip the case to lie completely flat so that you can use it as a clean work surface or fold it flat for compact storage. They can be neatly organized with a few Tupperware or Rubbermaid containers.*



**Deluxe Soft Side Kit Case (Z5060)**  
This case is unique in that it comes with three soft dividers to separate packs and heads, as well as a shelf divider to lay umbrellas and stands on top. Perfect for 2-Dyna-Lite M1000R packs, 3-heads, and accessories of similar systems.

**Dimensions:**  
Outside: 32" L x 8" W x 13" H (81x23x33cm)  
Inside: 31" L x 7" W x 12" H (79x18x30cm)  
Weight: 6 lbs. (2.7kg)  
**Item # LIZ5060 .....214.95**

**Uni Kit Case (Z5200)**  
Much like the Deluxe Soft Side Case, the Uni Kit comes with two soft dividers to separate packs and heads, as well as a shelf divider to lay umbrellas and stands on top. The Dyna-Lite Uni Flash Kit fits like a glove as well as any similar flash system consisting of a small pack, 2-3 heads and accessories.

It makes a great compact case for your car.  
**Dimensions:**  
Outside: 23" L x 8.5" W x 15.5" H (58x22x39cm)  
Inside: 22" L x 7" W x 14.5" H (56x18x37cm)  
Weight: 3.5 lbs. (1.6kg)  
**Item # LIZ5200 .....159.95**

**SpeedPack Soft Side Case (Z5010)**  
**Dimensions:**  
Outside: 16" L x 10" W x 15.5" H (41x25x39cm)  
Inside: 15" L x 9" W x 14.5" H (38x23x37cm)  
Weight: 3.0 lbs. (1.4kg)  
**Item # LIZ5010 .....119.95**

**Mid Size Soft Side Case (Z5020)**  
**Dimensions:**  
Outside: 18" L x 8" W x 11.5" H (46x20x29cm)  
Inside: 17" L x 7" W x 10.5" H (43x18x27cm)  
Weight: 2.5 lbs. (1.1kg)  
**Item # LIZ5020 .....119.95**

**Compack Soft Side Case (Z5030)**  
**Dimensions:**  
Outside: 15" L x 9.5" W x 11.5" H (38x24x29cm)  
Inside: 14" L x 8.5" W x 10.5" H (36x22x27cm)  
Weight: 2.0 lbs. (0.9kg)  
**Item # LIZ5030 .....119.95**

### STAND SOCK

**Stand Sock (C6038)**  
Stuff those stands in this soft padded sock to keep them from getting dinged or scratched. Will fit up to 37" stand (collapsed).  
**Dimensions:**  
Outside: 38" L x 5.75" W x .5" H (96x15x1.3cm)  
Weight: 0.3 oz. (8.5g)  
**Item # LIC6038 .....24.95**



### LIGHTING Q&A

**Should my photographic equipment be insured?**

Yes! A robbery could put you out of business. It's worth the cost of insurance to have the protection of money for replacement.

Copy excerpted with permission of Amphoto Books © 1995 by John Hart 50 Portrait Lighting Techniques.

ROLLING LIGHTSPEED CASES

*Tamrac LightSpeed cases provide excellent protection and quick access for complete lighting systems including light heads, light stands, umbrellas, cables and associated gear. The tough, adjustable dividers have a unique hinged top to allow custom space adjustment for longer items like stands and umbrellas. Constructed of tough ballistic nylon and padded with closed-cell foam and high-density plastic armor, these cases take the worry and much of the hassle out of transporting lighting equipment. In-line skate wheels on one end allow the LightSpeed cases to be rolled instead of carried and provide a new level of mobility and convenience to location photography. Meets ATA specifications.*

**683 LightSpeed 3 (683B)**  
 Model 683 is designed to hold three large light heads, small light stands, and other equipment in armored, foam padded protection. The two internal dividers are plastic reinforced, foam padded velcro adjusting with a hinged divider top to transport light stands up to 28" long. A full coverage zipper flap prevents zipper damage while in transit and reinforced edges add further protection against wear and tear. Inside the lid are two windowpane-mesh pockets for quick access to accessories. The double webbed handles with leather wrap are provided for carrying comfort and there are convenient carry handles on each end of the case. In-line skate wheels on one end allow the LightSpeed cases to be rolled instead of carried and provide a new level of mobility and convenience to location photography. Meets ATA specifications.  
 Dimensions:  
 Internal - 28"W x 8"D x 13 1/4"H (71x20x33cm)  
 External - 32 1/2"W x 12"D x 17 1/2"H (81x30x43cm)  
 Color: Black  
 Weight: 17 lbs. 6 oz. (7.9kg)  
**Item # TA683B.....312.50**

**684 LightSpeed 4 (684B)**  
 This larger version will accommodate up to 4 large light heads, light stands and other equipment. The three internal dividers also come with a hinged divider top to transport light stands up to 34" long. The bottom, sides and top are foam padded and reinforced with tough, high-density plastic armor for extra protection. The full coverage zipper flap prevents zipper damage to the double pull, heavy-duty, self-healing nylon coil zippers. Inside the lid are two windowpane-mesh pockets for accessory needs. The double webbed handles with leather wrap are provided for carrying comfort and there are convenient carry handles on each end of the case. In-line skate wheels on one end allow the LightSpeed 4 cases to be rolled instead of carried and provide a new level of mobility and convenience to location photography. Meets ATA specifications.  
 Dimensions:  
 Internal - 34 1/2"W x 8 1/2"D x 14 1/4"H (86x20x36cm)  
 External - 38"W x 12"D x 18"H (97x30x46cm)  
 Color: Black  
 Weight: 20 lbs. (9.0kg)  
**Item # TA684B.....349.95**



CARRYING CASE



**328 Professional Location Bag (328B)**  
 This professional light stand and tripod carrying system is foam padded and has internal cordura pockets to keep the equipment organized.  
 Dimensions: Internal - 9"H x 8"D x 46"L (23x20x117cm)  
 External - 9"H x 8"D x 47"L (23x20x119cm)  
 Color: Black  
 Weight: 3 lbs. 12 oz. (1.4kg)  
**Item # TA328B.....97.50**

## ROLLING CASES

### ROLLING STUDIOS

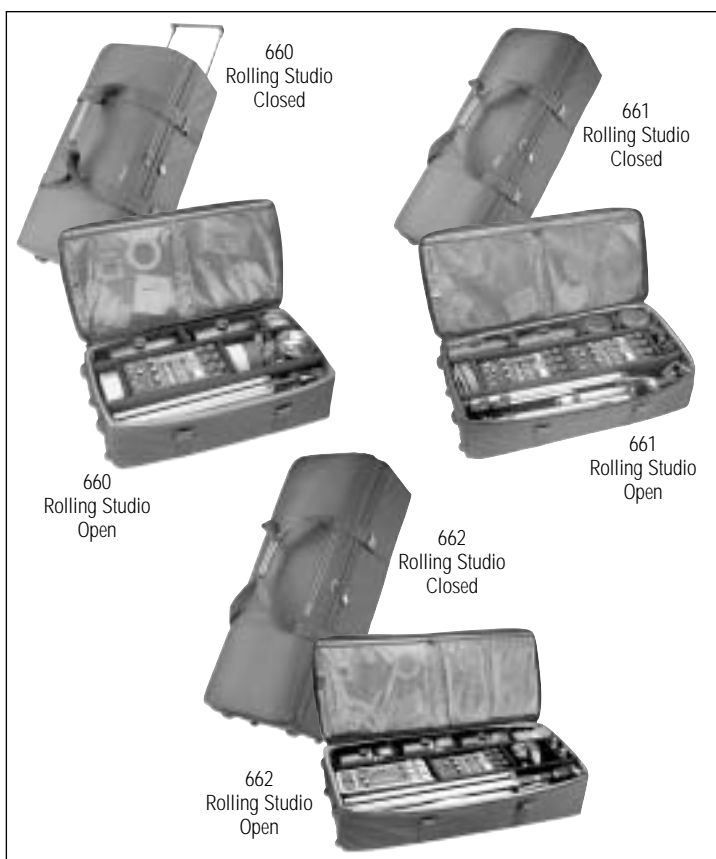
*Put your studio on wheels and take it with you in Tamrac's Rolling Studios. Light stands, tripods, umbrellas, strobe or tungsten light heads and power packs are stowed safely in the foam-padded, plastic armored and partitioned main compartment. Inside the top are two windowpane-mesh pockets for quick access to sync cords and other small accessories. Outside, a large zippered pocket in the dome-shaped top provides convenient storage for A/C extension power cords, extension strobe cables, small fabric light boxes and other accessories.*

*Constructed of ballistic nylon (also used in bullet proof vests), the Rolling Studios are designed like a fine luggage duffel except the bottom and sides are foam padded and reinforced with tough, high-density plastic armor. The bottoms are protected with plastic skids. The internal partitions are also plastic reinforced, foam padded, and velcro adjusting.*

*The Rolling Studios roll smoothly on ball bearing in-line skate wheels improving location mobility while decreasing the burden on the photographer's assistant. The partitioned interior increases productivity because it is easy to pack and unpack quickly, keeps equipment protected and organized while on the move and yet has all of the loading and portability advantages of soft luggage. Rolling Studios are a complete integrated solution when compared to stacking and balancing boxes and bags on a wheeled cart. They also look like luggage and make an excellent presentation to the client.*

**660 Rolling Studio (660B)**  
The Rolling Studio duffel is ideal for the mobile photographer who wants to take a tripod, a few lights, stands, umbrellas and a power pack. It is small enough to be very manageable yet large enough to accommodate tripods and stands up to 29" long. The handle telescopes inside the skids that protect the bottom of the duffel. This is the perfect system for traveling light and fast without compromising on equipment, organization or protection.  
Dimensions:  
Internal - 29"W x 16"D x 9"H (74x41x23cm)  
External - 32 $\frac{1}{2}$ "W x 19 $\frac{1}{2}$ "D x 14 $\frac{1}{2}$ "H (81x48x36cm)  
Color: Black  
Weight: 19 lbs. 6 oz. (8.9kg)  
Item # **TA660B**.....**378.95**

**661 Medium Rolling Studio (661B)**  
When transporting just the right amount of equipment, the Medium Rolling Studio is ideal. Accommodating stands and professional tripods up to 35" long. Model 661 is still large enough to carry two power packs, multiple lights, umbrellas and a full complement of accessories. At 35" long, it does not need a telescoping handle. This armored duffel rolls smoothly on ball bearing in-line skate wheels and rests on skids that protect the bottom. Model 661 extends the ultimate in transportability, protection and organization to your equipment.  
Dimensions:  
Internal - 35"W x 16"D x 8 $\frac{1}{2}$ "H (89x41x20cm)  
External - 39"W x 18 $\frac{1}{2}$ "D x 14 $\frac{1}{2}$ "H (99x46x36cm)  
Color: Black  
Weight: 20 lbs. 8 oz. (9.4kg)  
Item # **TA661B**.....**404.95**



**662 Super Rolling Studio (662B)**  
When you need to take a lot of equipment, the Super Rolling Studio is the answer. This armored duffel will accommodate stands and tripods up to 43" in length along with multiple power packs. One Super Rolling Studio should meet the needs for most location shoots and multiple Rolling Studios can meet just about any requirement while keeping equipment safe, portable and organized. At 43" in length, the handle does not need to telescope and it rolls smoothly on ball bearing in-line skate wheels. The Super Rolling Studio offers compact mobility, protection and organization in a well designed carrying system to address real needs on difficult location assignments.  
Dimensions: Internal - 43"W x 18"D x 8 $\frac{1}{2}$ "H (109x46x20cm)  
External - 45 $\frac{1}{2}$ "W x 20 $\frac{1}{2}$ "D x 14 $\frac{1}{2}$ "H (114x51x36cm)  
Color: Black  
Weight: 24 lbs. 8 oz. (11.2kg)  
Item # **TA662B**.....**456.95**

Rolling Studios

**PADDED ARMORED TRI PAKS**

*The easiest way to carry tripods, gear and umbrellas in one large, shippable container. Three zippers for a sturdy hexagon that unzips to form an upright studio wall. PATs have basic Tenba SuperSafe construction with sturdy plywood boards on either end. Popular with news crews since 1986. Long straps sling over your back for maneuvering through crowded places.*

**PAT 50** (634501)  
 Holds boomstands and bigger lightstands and C stands. For video; holds two KG lights. Holds 4 light stands or umbrellas in individual sleeves and a tripod along with 2 extra pockets for small clamps and accessories plus, a wide band of webbing to attach small clips. Opens with three zippers so it lies flat plus, it has webbing sleeves so it can be suspended from an autopole to organize your studio when on location.  
 Dimensions:  
 Unfolded: 44" L x 50" H (112x127cm)  
 Folded: 14" L x 50" H x 14" D (36x127x36cm)  
 Weight: 11.8 lbs. (5.4kg)  
 Item # **TEPAT50**.....**282.95**

**PAT** (634504)  
 The PAT has the same features as PAT 50 but it is 8" shorter. Holds 4 light stands or umbrellas in individual sleeves and a tripod along with 2 extra pockets for small clamps and accessories plus a wide band of webbing to attach small clips. The PAT opens with three zippers so it lies flat plus, it has webbing sleeves so it can be suspended from an autopole to organize your studio when on location.  
 Dimensions:  
 Unfolded: 44" L x 42" H (112x107cm)  
 Folded: 14" L x 42" H x 14" D (36x107x36cm)  
 Weight: 10.0 lbs. (4.5kg)  
 Item # **TEPAT**.....**252.95**



**CAR CASES**

*Organize and protect your lighting gear with a Car Case. ideal for transporting equipment by car. Just as easy to carry as an air Case but more affordable, plus a lighter construction. A three tier sandwich construction composed of an outer shell of tough ballistic nylon, a lightweight sheet of air channel polyethelyne to disburse shock and a 1/4" thick, closed cell, cross-linked, 2lb density enbazoate foam to absorb shock. Lined with smooth 400 Denier nylon pack cloth for a smooth appearance and to further protect the foam from wear and tear of sharp contents.*



**CC22** (634502)  
 Holds 22" reflectors, flexfills, muslin.  
 Dimensions: 22" L x 22" H x 8" D (56x56x20cm) Weight: 3.5 lbs. (1.6kg)  
 Item # **TECC22**.....**185.95**

**CC14** (634404)  
 Holds Broncolor Pulso Pack.  
 Dimensions: 14" L x 10 1/2" H x 8 1/2" D (36x27x22cm)  
 Weight: 3.0 lbs. (1.4kg)  
 Item # **TECC14** .....**103.95**

**CC15** (634403)  
 Holds Speedotron Pack or 15" flat monitor.  
 Dimensions: 15 1/2" L x 14 1/2" H x 9" D (40x37x23cm)  
 Weight: 4.0 lbs. (1.8kg)  
 Item # **TECC15** .....**118.95**

**CC28** (634401)  
 Holds 2 Dynalite Packs and 3 to 4 heads or Norman 1212 or 3 Speedotron heads or 3 Elinchrom 1000 or 2 Powerlights, stands & umbrellas. 3 moveable dividers.  
 Dimensions: 28" L x 14" H x 9" D (71x36x23cm) Weight: 7 lbs. (3.1kg)  
 Item # **TECC28** .....**237.95**

**CC17** (634402)  
 Holds two Profoto Compacts or Powerlights and reflectors. One moveable divider.  
 Dimensions: 17" L x 17" H x 8" D (43x43x20cm)  
 Weight: 4.4 lbs. (2.0kg)  
 Item # **TECC17** .....**133.95**

## PAKS / AIR CASES

### PADDED PAKS



**PP9** (634506)  
 Holds grids, heads, Dynalite, Monolight, filters & 4x5 film holders.  
 Dimensions: 9" L x 9" H x 5" D (23x23x13cm)  
 Weight: 7oz. (198g)  
 Item # **TEPP9**.....**42.95**

### AIR CASES TOP LOADING



**System 1** (634303)  
 1 long moveable divider, 2-small moveable dividers, 6" long. Light stands and umbrellas fit into the long section. Power pack and heads fit into the three small sections.  
 Dimensions: Outside: 33 1/2" L x 13 1/2" H x 12 3/4" D  
 Inside: 30 1/2" L x 11" H x 10" D  
 Weight: 11.0 lbs. (5.0kg)  
 Item # **TES1**.....**386.95**

**AC Head 3** (634302)  
 Holds complete lighting kit; 3-large Speedotron heads, 3-light stands, 2-umbrellas, plus cables, reflectors etc. Has 2 moveable dividers 12" high.  
 Dimensions:  
 Outside: 30 1/2" L x 16 1/2" H x 10 1/2" D (78x42x27cm)  
 Inside: 28" L x 14" H x 8" D (71x36x20cm)  
 Weight: 12.4 lbs. (5.6kg)  
 Item # **TEH3**.....**341.95**

**AC Head 4** (634304)  
 Holds complete lighting kit; 4-large Speedotron heads, 3-lightstands, 2-umbrellas, plus cables, and reflectors. Has 2 removable dividers 12" high.  
 Dimensions:  
 Outside: 37 1/2" L x 16 1/2" H x 10 1/2" D (96x42x27cm)  
 Inside: 35" L x 14" H x 8" D (89x36x20cm)  
 Weight: 15.0 lbs. (6.8kg)  
 Item # **TEH4**.....**386.95**

### AIR CASE ATTACHE



**1001 Multi** (634201)  
 Holds up to 3 DynaLite 1000 packs with 3 heads or monolights. Also a Hasselblad projector.  
 Dimensions:  
 Outside: 24 1/2" L x 10 1/2" H x 17 1/2" D (62x27x45cm)  
 Inside: 22" L x 8" H x 15" D (56x20x38cm)  
 Weight: 11.0 lbs. (5.0kg)  
 Item # **TEM**.....**356.95**

### AIR CASE WHEELIES

**Rugged and built to last; ski plates on the bottom protect Air Case Wheelies over stairs • Ball bearing wheels • Retractable handles • Rubber cushioned handgrip**

**A shipping case and hand truck built in one!**

**ACW Head3 W** (634101)  
 Designed specifically for wedding and family photographers. Will hold two Photogenic power packs and two heads or 3 mono lights, plus all your stands and umbrellas in one neat package.  
 Dimensions:  
 Inside: 28" L x 18" H x 8" D (71x46x20cm)  
 Weight: 18.0 lbs. (8.2kg)  
 Item # **TEH3W**.....**490.95**

**ACW Head4 W** (634102)  
 Head 4 with wheels and handle  
 Dimensions:  
 Inside: 35" L x 14" H x 8" D (89x36x38cm)  
 Weight: 15.0 lbs. (6.8kg)  
 Item # **TEH4W**.....**534.95**

**ACW Multi W** (634107)  
 Fits small packs, heads and monolights. Velcro attached dividers let you custom fit your equipment.  
 Dimensions:  
 Inside: 22" L x 8" H x 15" D (56x20x38cm)  
 Weight: 18.0 lbs. (8.1kg)  
 Item # **TEMW**.....**449.95**

**ACW Air Max 2000** (634105)  
 Tenba has created new Air Cases to meet the new stringent airline carry-on size regulations. Comes with built-in carry-on size regulations, built-in wheels and a sturdy, retractable handle  
 Dimensions:  
 Inside: 18 1/2" L x 10 1/2" H x 5" D (47x27x13cm)  
 Weight: 13.0 lbs. (5.9kg)  
 Item # **TE1106**.....**475.95**



# GENERAL BRAND

## LAMPS

ITEM #	Price
GB-BAB	4.50
GB-BABFG	2.50
GB-BAK	4.50
GB-BBA	3.50
GB-BCA	4.50
GB-BCK	27.95
GB-BEC	15.95
GB-BEJ	13.95
GB-BFE	29.95
GB-BFK	29.95
GB-BGB	5.95
GB-BHB	23.95
GB-BKR	6.95
GB-BKV	9.50
GB-BLC	3.09
GB-BLK	6.95
GB-BLR	5.95
GB-BLX	5.50
GB-BMD	5.95
GB-BMG	6.95
GB-BMY	9.95
GB-BNF	4.95
GB-BRD	4.95
GB-BRH	22.50
GB-BRK	5.50
GB-BRL	5.49
GB-BRN	39.95
GB-BRP	38.50
GB-BRR	46.50
GB-BRS	4.95
GB-BRX	4.95
GB-BSF	13.50
GB-BSH	41.95
GB-BSK	5.95
GB-BSS	4.95
GB-BSW	4.95
GB-BTD	4.95
GB-BTG	39.95
GB-BTL	28.50
GB-BTM	45.95
GB-BTN	47.95
GB-BTP	37.50
GB-BTR	38.50
GB-BVA	39.95
GB-BVB	5.95
GB-BVE	27.95
GB-BVE5	34.95
GB-BVR	6.50
GB-BVS	4.95
GB-BVT	62.50
GB-BVV	59.95
GB-BVW	86.50
GB-BWA	99.95
GB-BWF	98.50
GB-BWG	92.50
GB-BWM	59.95
GB-BWN	64.95
GB-BXB	4.95
GB-BXE	4.95
GB-BXN	4.95
GB-BXT	12.50
GB-CAC	12.50
GB-CAL	19.95
GB-CALS	21.95

ITEM #	Price
GB-CAR	19.95
GB-CAR5	22.95
GB-CBA	32.95
GB-CBA5	33.95
GB-CBJ	11.95
GB-CBX	9.95
GB-CDJ	11.95
GB-CDS	9.95
GB-CEA	12.50
GB-CEM	9.95
GB-CEW	9.95
GB-CGW	12.50
GB-CHK	9.95
GB-CLS	9.95
GB-CLX	14.50
GB-CMV	14.95
GB-CP40FKJ	69.95
GB-CRT	23.95
GB-CTT	49.50
GB-CVX	19.95
GB-CWA	26.50
GB-CWA5	28.50
GB-CWZ	102.50
GB-CXH	27.50
GB-CXL	19.95
GB-CXY	19.95
GB-CXZ	97.50
GB-CYC	14.95
GB-CYV	57.50
GB-CYX	57.50
GB-CZA	18.95
GB-CZS	24.95
GB-CZX	19.95
GB-DAH	27.50
GB-DAT	18.95
GB-DAY/DAK	28.95
GB-DCA	29.95
GB-DCH	29.95
GB-DCT	119.95
GB-DCX	24.95
GB-DCB	24.95
GB-DDJ	12.50
GB-DDK	17.95
GB-DDL	14.50
GB-DDM	14.95
GB-DDM5	18.95
GB-DDN	19.50
GB-DDP	11.95
GB-DDS	13.50
GB-DDY	24.95
GB-DEB	29.95
GB-DED	9.95
GB-DED5	11.95
GB-DEK	39.99
GB-DEK5	24.95
GB-DEP	29.50
GB-DFD	29.95
GB-DFE	27.50
GB-DFN	29.95
GB-DFT	31.95
GB-DGH	27.50
GB-DJL	29.95
GB-DJT	13.95
GB-DLD	28.95

ITEM #	Price
GB-DLG	29.95
GB-DLN	28.95
GB-DMX	24.95
GB-DNE	28.50
GB-DNF	19.95
GB-DNS	39.95
GB-DNT	46.50
GB-DNW	27.50
GB-DPJ	29.95
GB-DPT	38.50
GB-DPW	39.95
GB-DPY	274.95
GB-DRA	19.95
GB-DRA5	16.50
GB-DRB	28.95
GB-DRB5	29.95
GB-DRS	27.50
GB-DRS5	28.95
GB-DRW	39.95
GB-DSB	49.95
GB-DSW	44.50
GB-DTA	77.50
GB-DTJ	46.50
GB-DTY	749.95
GB-DVS	3.95
GB-DVY	16.50
GB-DVY5	19.50
GB-DWT	38.95
GB-DWY	18.50
GB-DWZ	16.95
GB-DXN	23.95
GB-DXW	28.95
GB-DXX	18.95
GB-DYF	12.50
GB-DYG	17.50
GB-DYH	15.39
GB-DCA	17.50
GB-DYP	18.50
GB-DYP5	19.50
GB-DYR220	18.95
GB-DDB	14.95
GB-DYS	9.95
GB-DYT	12.50
GB-DYY	27.50
GB-DZA	12.50
GB-DZB	13.50
GB-DZE	9.95
GB-EAD	12.50
GB-EAJ	9.95
GB-EAK	12.50
GB-EBV	4.95
GB-EBW	4.89
GB-ECA	3.95
GB-ECT	3.99
GB-EFM	16.50
GB-EFN	16.50
GB-EFP	14.95
GB-EFR	16.50
GB-EGC	43.50
GB-EGE	34.95
GB-EGF	46.50
GB-EGG	38.95
GB-EGJ	39.95
GB-EGK	46.95

ITEM #	Price
GB-EGM	46.50
GB-EGN	39.95
GB-EGR	49.95
GB-EGT	29.95
GB-EGX	34.95
GB-EGZ	34.95
GB-EHA	24.95
GB-EHC	29.95
GB-EHD	29.95
GB-EHF	29.95
GB-EHG	29.95
GB-EHJ	6.50
GB-EHM	3.95
GB-EHP	12.50
GB-EHR	14.50
GB-EHT	12.49
GB-EHV	13.50
GB-EHZ	9.49
GB-EJA	16.50
GB-EJG	22.95
GB-EJL	12.95
GB-EJL5	15.95
GB-EJM	13.95
GB-EJV	14.95
GB-EJY	19.50
GB-EKB	18.49
GB-EKD	18.95
GB-EKE	13.50
GB-EKG	18.50
GB-EKL	12.50
GB-EKN	12.50
GB-EKP	19.95
GB-EKS5	23.50
GB-EKX	14.95
GB-EKZ	17.95
GB-ELA	16.50
GB-ELB	14.95
GB-ELC	12.50
GB-ELC5	14.95
GB-ELD	12.95
GB-ELE	22.95
GB-ELH	11.25
GB-ELH5	14.95
GB-ELJ	26.50
GB-ELS	19.95
GB-ELV	23.50
GB-ELZ	23.50
GB-EMC	16.95
GB-EMD	17.95
GB-EME	17.95
GB-EMF	18.95
GB-EML	12.95
GB-EMM	22.50
GB-ENG	19.50
GB-ENG5	19.95
GB-ENH	19.95
GB-ENH5	17.95
GB-ENL	1.95
GB-ENW	19.95
GB-ENX	11.95
GB-ENX5	13.50
GB-ENZ	15.95
GB-EPF	23.95
GB-EPG	23.95

# GENERAL BRAND

# MISCELLANEOUS

## LAMPS

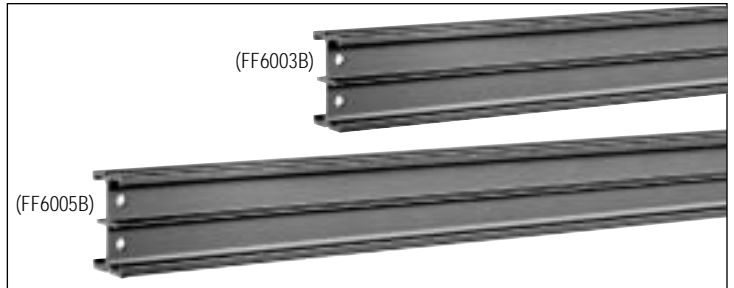
ITEM #	Price	ITEM #	Price	ITEM #	Price	ITEM #	Price
GB-EPK	28.95	GB-EYFFG	2.50	GB-FFPQ	43.50	GB-FXL	22.50
GB-EPN	17.95	GB-EYH	19.95	GB-FFR	43.50	GB-GCA	18.95
GB-EPR	29.95	GB-EYJ	1.95	GB-FFS	43.50	GB-GCB	19.95
GB-EPT	18.95	GB-EYJFG	2.50	GB-FFT	23.50	GB-GCC	19.95
GB-EPV	13.95	GB-EYK	19.50	GB-FGF	14.95	GB-GDA	18.89
GB-EPW	23.95	GB-EYL	16.95	GB-FGT	28.95	GB-HS125	209.95
GB-EPX	14.95	GB-EYP	1.95	GB-FGW	14.95	GB-HS200	199.95
GB-EPZ	14.95	GB-EYPFG	2.50	GB-FHM	12.95	GB-HS400	219.95
GB-ERV	22.50	GB-EYR	1.95	GB-FHR	9.95	GB-HS575HR	209.95
GB-ESA	4.50	GB-EYRFG	2.50	GB-FHS	13.95	GB-HS700	229.95
GB-ESB	5.95	GB-EYS	1.95	GB-FHS5	17.50	GB-HS1200HR	289.95
GB-ESC	16.95	GB-EYSFG	2.50	GB-FHX	15.95	GB-HS2500HR	399.95
GB-ESD	22.50	GB-EYT	19.95	GB-FJX	16.95	GB-HS4000HR	599.95
GB-ESH	22.50	GB-EYV	9.95	GB-FKW	24.95	GB-I100	8.49
GB-ESJ	19.95	GB-EYW	9.95	GB-FLD	8.95	GB-I55	5.95
GB-ESL	7.95	GB-EYX	9.95	GB-FLK	34.95	GB-JC12	6.95
GB-ESM	9.50	GB-EZD	16.50	GB-FLT	14.95	GB-JC12V30WH2	4.95
GB-ESN	7.95	GB-EZE	19.95	GB-FLW	13.95	GB-JC12V35WH2	4.95
GB-ESP	13.50	GB-EZF	50.00	GB-FML	16.95	GB-JC12V50WH2	4.95
GB-ESR	9.95	GB-F15T8C50	19.95	GB-FMW	5.50	GB-JC12V75WH2	5.95
GB-ESS	13.50	GB-F20T12C50	17.95	GB-FNCFG	9.95	GB-JC12V100WH	5.95
GB-ESXFG	2.50	GB-F40T12C50	22.50	GB-FNDFG	9.95	GB-JC14.5	19.95
GB-ESY100	12.99	GB-F8T5C50	9.95	GB-FNEFG	9.95	GB-JC24V300W	17.50
GB-ESY150	12.99	GB-FAD	14.95	GB-FNFFG	9.95	GB-JCD100650	28.95
GB-ETB	14.95	GB-FAL	14.95	GB-FNT	9.50	GB-JCD120300	19.95
GB-ETC	12.79	GB-FAL5	16.95	GB-FNV	21.00	GB-JCD120300Q	19.95
GB-ETD	8.50	GB-FBG	21.95	GB-FPA	2.95	GB-JCD12V10WH	4.95
GB-ETE	9.95	GB-FBV	29.95	GB-FPAFG	2.50	GB-JCD12V20WH	4.95
GB-ETF	13.39	GB-FBW	27.95	GB-FPB	1.95	GB-JCD12V5WH2	5.95
GB-ETG	12.79	GB-FBX	29.95	GB-FPBF	5.50	GB-JCD120V100	19.50
GB-ETH	7.95	GB-FBY	29.95	GB-FPC	4.50	GB-JCD230300	29.95
GB-ETJ	18.95	GB-FBZ	32.95	GB-FPCFG	2.50	GB-JCD240500	29.95
GB-EVA	9.95	GB-FCA	22.95	GB-FRG	34.95	GB-JCD24V20WH	5.95
GB-EVB	8.50	GB-FCB	17.50	GB-FRK	29.95	GB-JCD6V10WH2	4.95
GB-EVC	13.50	GB-FCB5	18.50	GB-FRL	45.95	GB-JCD6V20WH2	4.95
GB-EVD	12.95	GB-FCK	22.50	GB-FRM	49.95	GB-JCP100V650	32.50
GB-EVR	9.95	GB-FCL	14.95	GB-FSA	19.95	GB-JCRM12V75W	39.95
GB-EVV	14.95	GB-FCM	12.89	GB-FSB	19.95	GB-JCRM6	18.50
GB-EWF	17.50	GB-FCMHIR	24.95	GB-FSC	19.95	GB-JCRM7.2	18.50
GB-EWG	19.95	GB-FCR	4.95	GB-FSD	19.95	GB-JCRM9.6	18.50
GB-EXN	2.50	GB-FCS	3.95	GB-FSE	19.95	GB-JCRM12Q	18.50
GB-EXNFG	19.95	GB-FCV	39.95	GB-FSF	26.95	GB-JCRM12Z	18.50
GB-EXP	18.95	GB-FCZ	14.95	GB-FSH	17.95	GB-JCR100	17.95
GB-EXR	15.95	GB-FDA	17.50	GB-FSK	29.95	GB-JCR120	17.50
GB-EXR5	17.95	GB-FDB	26.50	GB-FT55DL930	19.95	GB-JCRM12	19.95
GB-EXT	2.50	GB-FDE	36.50	GB-FT55DL950	19.95	GB-JCRM12Y	17.50
GB-EXTFG	2.50	GB-FDF	18.95	GB-FTA	18.95	GB-JCV220500	34.95
GB-EXV	18.95	GB-FDN	13.95	GB-FTB	2.95	GB-JCV240500	34.95
GB-EXW	18.50	GB-FDS	9.95	GB-FTBFG	3.50	GB-JCV120650	24.95
GB-EXW5	19.95	GB-FDT	9.95	GB-FTC	2.95	GB-JDR120F	24.95
GB-EXX	17.50	GB-FDV	9.95	GB-FTD	2.95	GB-JDR120S	24.95
GB-EXY	18.95	GB-FDX	11.95	GB-FTDFG	3.50	GB-K19DL	4.95
GB-EXY5	19.95	GB-FEL	20.95	GB-FTE	2.95	GB-ML25W	4.50
GB-EXZ	1.95	GB-FEP	39.99	GB-FTEFG	3.50	GB-ML60W	2.25
GB-EXZFG	2.50	GB-FER	34.95	GB-FTF	5.95	GB-PH111A	9.95
GB-EXZHC	12.95	GB-FEV	12.50	GB-FTFFG	3.50	GB-PH113	9.95
GB-EYA	18.50	GB-FEX	73.95	GB-FTH	2.95	GB-PH1400	13.95
GB-EYB	12.95	GB-FEY	39.95	GB-FTHFG	3.50	GB-PH211X	17.50
GB-EYB5	9.95	GB-FFJ	16.50	GB-FTK	21.00	GB-PH211	4.95
GB-EYC	6.95	GB-FFJ5	17.50	GB-FVL	19.95	GB-PH212	4.95
GB-EYCFG	2.50	GB-FFM	19.95	GB-FVM	19.95	GB-PH213	4.95
GB-EYF	1.95	GB-FFN	43.50	GB-FWM	24.95		

### SKY TRACK SYSTEM

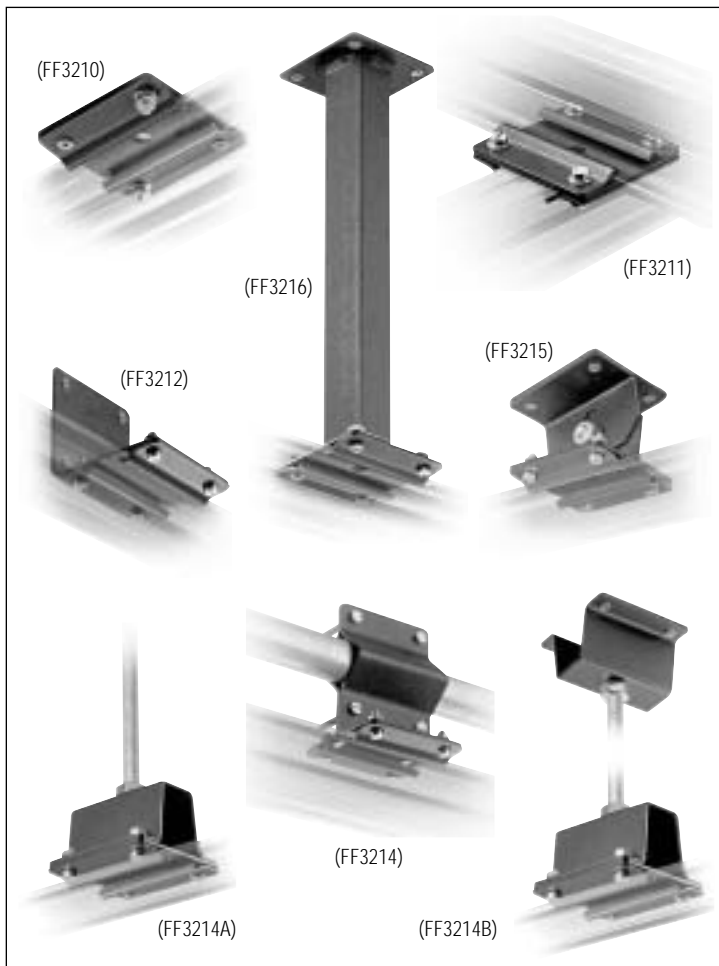
*Ideal for all photo and video studios where the floor needs to be kept totally clear of power cables and lighting stands. The Sky Track System permits rapid maneuver and setting of large lights with awkwardly sized accessories like soft boxes. It solves positioning problems even on complex sets or in studios of the most unusual dimensions, and offers considerable advantages and ease of use compared to traditional floor stands. Manfrotto Sky Track System has a broad range of accessories to adapt your space to the ideal studio and to provide perfect compatibility with all types of lights, whether photographic, video or film. The Sky Track System is a comprehensive range of lighting suspension for all situations from small studios to the largest ones. The Manfrotto line includes the versatile ceiling mounted rails, manual and motorized pantographs, and a wide range of brackets and supports.*

### RAILS

(9.8') (3m) Rail Black Anodized (FF6003B) Item # <b>BOFF6003B</b> ..... <b>109.95</b>	(16.4') (5m) Rail Black Anodized (FF6005B) Item # <b>BOFF6005B</b> ..... <b>174.95</b>
---	--



### RAIL ATTACHMENTS



**Bracket for Ceiling Attachment (FF3210)**  
Bracket for ceiling attachment of the rail. Pre-assemble these brackets onto the rails at ground level to ensure correct alignment before fastening to ceiling.  
Item # **BOFF3210**.....**8.50**

**Double Bracket for Rail Crossings (FF3211)**  
To attach two rails parallel or at a right angle.  
Item # **BOFF3211**.....**16.95**

**"L" Shaped Angle Bracket (FF3212)**  
Bracket for wall attachment of the rail.  
Item # **BOFF3212**.....**15.95**

**Adjustable Bracket for Irregular Ceilings (FF3215)**  
Allows height differences in ceilings of maximum 0.8" (2cm); combining two brackets can compensate for differences of maximum 1.6" (4cm).  
Item # **BOFF3215**.....**29.95**

**Ceiling Bracket with 11 3/4" (30cm) Extension (FF3216)**  
Item # **BOFF3216**.....**29.95**

**Ceiling Bracket with 19" (50cm) Extension (FF3218)**  
Item # **BOFF3218**.....**34.95**

**Ceiling Bracket with 39" (100cm) Extension (FF3220)**  
Used alone or in combination these brackets allow the attachment of the rails at the desired height.  
Item # **BOFF3220**.....**46.95**

**Bracket for Tube Attachment (FF3214)**  
Can be fastened to tubes with outside diameters from 1 1/2" to 2". Rails can be attached parallel or in a right angle to the pipe.  
Item # **BOFF3214**.....**21.95**

**Bracket with Threaded Rod for Ceiling Attachment (FF3214A)**  
For M12 threaded rods with a diameter of 1/2". Cut the threaded rod or bolt to the required length before final assembly. Secure the bracket between 2 nuts. Allow the rod to protrude into the bracket about 3/8" for levelling after the installation is completed.  
Item # **BOFF3214A**.....**16.95**

**Rail Mounting Kit with M12 Threaded Rod (FF3214B)**  
The kit includes the ceiling bracket and rail bracket with clamps, a 36" long M12 threaded rod and 4 M12 nuts.  
Item # **BOFF3214B**.....**39.95**

# MANFROTTO

## SKY TRACK SYSTEM

MISCELLANEOUS

### RAIL ATTACHMENTS

#### Extension Brackets for Various Heights (FF3215A)

Its length is adjustable from 4 to 6". Using the clamp screw, you can obtain all intermediate sizes. Provided with a security lock, in case the regulating screw loosens, blocks the bracket at maximum extension. It's used to compensate for height differences in ceilings of 2.2" or more, with combinations of other brackets. It's also used for obtaining intermediate sizes in combination with the extendable ceiling brackets.

**Item # BOFF3215A.....44.95**

#### Kit of 4 End Stops with 4 Cable Carriages (FF3207)

These attach to the holes on the ends of a rail to prevent carriages leaving the rail and to prevent moving rails leaving their carriages.

**IMPORTANT:** Must be installed in upper and lower holes on moving rails but only to lower holes on fixed rails.

**Item # BOFF3207.....9.95**

#### Alignment Connectors for Fixed Rails (FF3208)

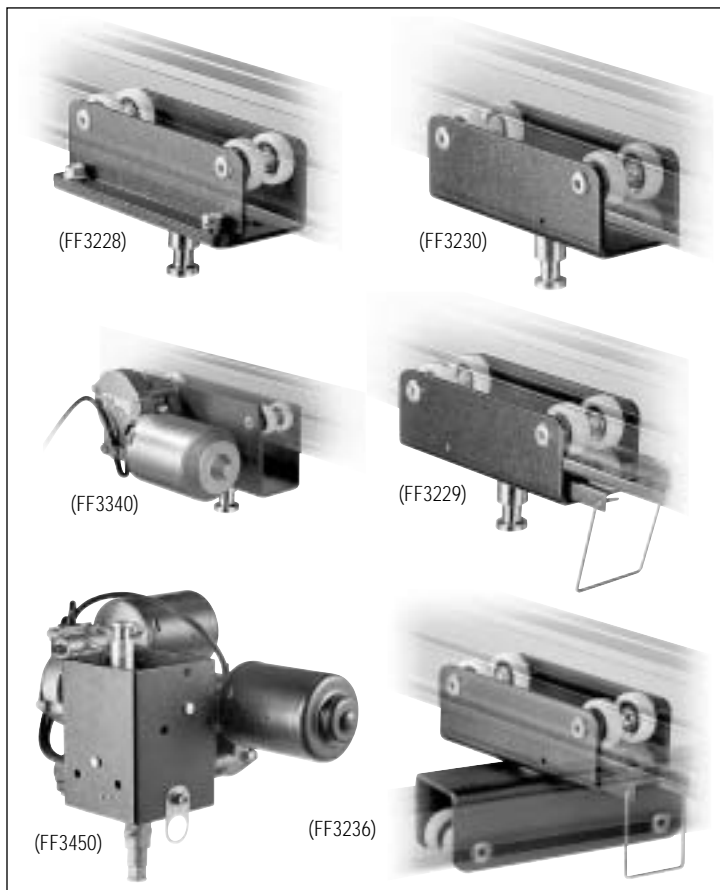
A pair of damp plates with screws to join two fixed rails together by clamping across the junction on the upper guide, using holes provided in the rail.

**IMPORTANT:** the junction must always be supported by a rail-mounting bracket placed astride the joint.

**Item # BOFF3208.....7.95**



### CARRIAGES



#### Detachable Carriage with 5/8" Spigot (FF3228)

This carriage can be inserted directly at any point on the rail by unscrewing the wheel plate. This is used when it is necessary to add a supplementary carriage to an already assembled Rail System installation. It is suitable for up to 110 lbs. (50kg).

**Item # BOFF3228.....39.95**

#### Carriage with 5/8" Spigot (FF3230)

It is a free-sliding carriage. It is suitable for up to 130 lbs. (60kg)

**Item # BOFF3230.....26.95**

#### Motorized Carriage with 5/8" Spigot (FF3340)

Powered with a 24 Vdc motor. Electronic power supply, code FF3288M/FF3286M required.

**Item # BOFF3340.....154.95**

#### Carriage with Brake and 5/8" Spigot (FF3229)

Brake to avoid unintended movements after placed into position. It is suitable for up to 130 lbs. (60kg).

To release brake pull down on handle with operating pole.

**Item # BOFF3229.....38.95**

#### Motorized Head (FF3450)

Motorized head with 2 motors for the rotation of a small bank, flash or television camera. Has a 16mm spigot on both sides. It can be positioned between a pantograph and utilization or it can also be mounted onto a stand. It allows a combined rotation of 360° on axis X and 110° on axis Y. It is powered by two 24 Vdc motors that must be fed and operated by an electronic power supply FF3288M/FF3286M; One motor powers the rotation on axis X and the other on axis Y.

**Item # BOFF3450.....464.95**

#### Double Carriage with One Brake (FF3236)

Brake on one carriage. Normally, the carriage with brakes goes onto the fixed rail to avoid unintended movements along the fixed rail but enabling the moveable rail to slide. In case the carriage with brake is mounted onto the moveable rail, the opposite effect will be achieved. Suitable for loads up to 220 lbs. (100kg).

**Item # BOFF3236.....54.95**

### CARRIAGES

#### Double Carriage with Two Brakes (FF3235)

Brakes on both carriages to avoid unintended movements after placed in position. The upper brake locks the carriage on the fixed rail, while the lower carriage's brake blocks the moving rail. Suitable for up to 220 lbs. (100kg).

Item # **BOFF3235** ..... **59.95**

#### Double Carriage (FF3232)

Upper & lower carriage are free-sliding. For loads up to 220 lbs. (100kg).

Item # **BOFF3232** ..... **49.95**

#### Motorized Double Carriage (FF3350)

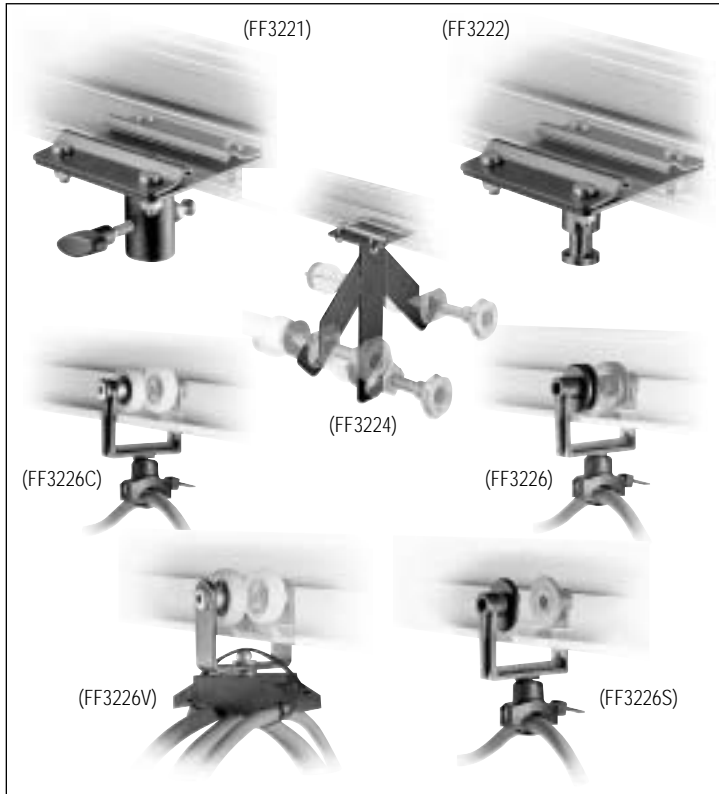
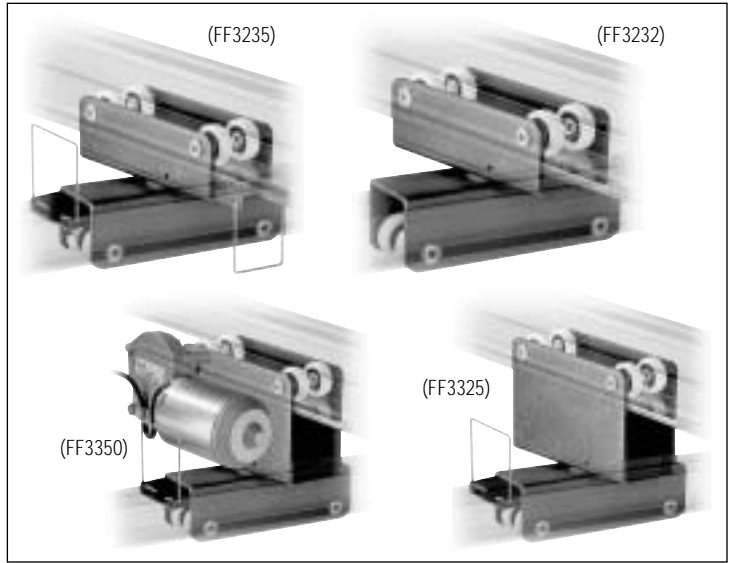
The upper carriage is powered by a 24 Vdc motor. Electronic power supply FF3288/FF3286M are required. The lower carriage with brake to lock moveable rail. Suitable for loads up to 220 lbs. (100kg)

Item # **BOFF3350**..... **189.95**

#### Double Carriage with Extra Height (FF3325)

It is used together with the motorized carriage FF3350. The upper carriage is as high as the motorized carriage. Upper and lower carriage are free-sliding. For loads up to 220 lbs. (100kg).

Item # **BOFF3325**..... **74.95**



### FIXED SUPPORTS

Bracket for Rails with 5/8" Female Attachment (FF3221)  
5/8" Socket for mounting lights or accessories with 5/8" male attachments onto rails.

Item # **BOFF3221**..... **24.95**

Bracket for Rails with 5/8" Spigot (FF3222)  
5/8" Spigot for mounting lights or accessories with 16mm female attachment onto rails.

Item # **BOFF3222**..... **19.95**

#### 2 Supports with Triple Background Hooks (FF3224)

Can be attached onto the rails in order to have the backgrounds in a fixed position. For movable backgrounds, mount the supports onto carriages. FF3321 required.

Item # **BOFF3224** ..... **64.95**

### CABLE CARRIAGES

#### Kit of Five Cable Carriages with Ball Bearing (FF3226C)

These carriages are suitable for single, flexible, heavy cables.

Item # **BOFF3226C**..... **31.95**

#### Cable Carriage for Multiple Cables (FF3226V)

Runs on ball bearings. Holds cables up to 5/8" diameter.

Item # **BOFF3226V**..... **12.50**

#### Kit of 5 Cable Carriages (FF3226)

These are inserted from the end of the rail. They do not need wheels as they slide along the rail and are suitable for single, flexible cables.

Item # **BOFF3226**..... **14.95**

#### Kit of Five Dismountable Cable Carriages (FF3226S)

By slightly opening them, they can be inserted at any point on the rail. They are suitable for light weight cables.

Item # **BOFF3226S**..... **23.95**

#### Operating Pole (42875)

3 Sections, 2 Risers  
Minimum extension: 102" (260cm)  
Maximum extension: 295" (750cm)  
Closed Length: 83" (210cm)

Item # **BO42875**..... **144.95**

#### Operating Pole (42840)

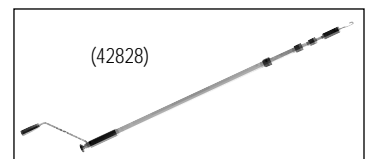
4 Sections, 3 Risers  
Minimum extension: 55" (140cm)  
Maximum extension: 157.5" (400cm)  
Closed Length: 47" (120cm)

Item # **BO42840**..... **119.95**

#### Operating Pole (42825)

4 Sections, 3 Risers  
Minimum extension: 39" (100cm)  
Maximum extension: 98" (250cm)  
Closed Length: 31.5" (80cm)

Item # **BO42825**..... **123.95**



# MANFROTTO

## SKY TRACK SYSTEM

MISCELLANEOUS

### ACCESSORIES AND ADAPTERS



**Spigot Adapter 5/8" Female - 1 1/8" Female (FF3257)**  
It has a 5/8" female attachment on one side and a 1 1/8" female attachment on the other. It is used to attach accessories with 1 1/8" spigot to the Rail System. For loads up to 220 lbs. (100kg)  
**Item # BOFF3257.....64.95**

**Spigot Adapter 5/8" - 1 1/8" (FF3260)**  
This adapter has a 5/8" spigot on one side and a 1 1/8" female attachment on the other. It is used to connect accessories with 1 1/8" spigot to the Rail system. It comes with safety pins. For loads up to 175 lbs. (80kg)  
**Item # BOFF3260.....56.95**

**Female Adapter (158)**  
Both sides have a 5/8" female attachment. Used to connect two units with 5/8" spigot, or obtain a 5/8" female attachment from 5/8" spigot. For loads up to 175 lbs. (80kg)  
**Item # BO158.....16.95**

**Power Supply Cable (FF3278)**  
Three pole 49" (15m) AWG 12 cable.  
**Item # BO3278.....39.95**

**Balance Adjustment Bracket (FF3261)**  
It has 5/8" female attachment, to be fitted between pantograph and unbalanced lighting fixtures or other appliances. Easy adjustment, by means of a single lever, allows the pantographs to work properly.  
**Item # BOFF3261.....54.95**

**Bracket for Multiple Mounting (FF3262)**  
Has seven 5/8" spigot and can be mounted either in a horizontal or vertical position to pantograph or extensions. Can carry up to six appliances.  
**Item # BOFF3262.....59.95**

**Universal Support for Flash Generators and Ballast (FF3265)**  
Maximum width is 20" (52cm) and maximum height is 8 3/4". A 5/8" spigot mounted on the bracket allows fitting to Rail System.  
**Item # BOFF3265.....79.50**

### PANTOGRAPHS

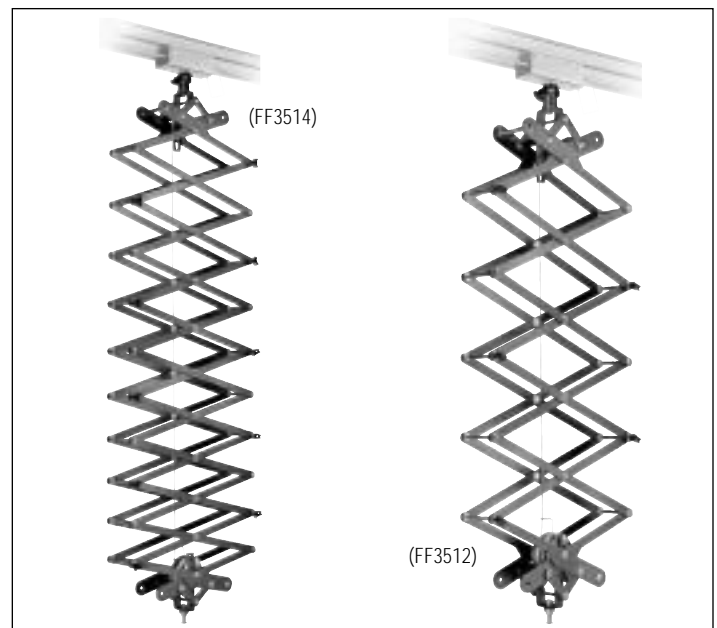
The Pantograph is made of aluminum and manufactured according to DIN 15560-46. The attachments at both ends of the pantograph are 5/8", male on the bottom and female on the top. The load is supported by a steel cable of 6.5" (2m) diameter (safety factor 12). Loads up to 26 lbs. (12kg) can be suspended using only the patented friction device, while loads up to a maximum of 40 lbs. (18kg) require the use of the optional springs. The pantograph can be adjusted to keep suspended loads from 2 lbs. to 40 lbs. perfectly balanced. By turning the colored notched ring you can adjust the pantograph's friction; this will ensure that the load remains

stable when set in position, but that it will move smoothly up and down when necessary. It is advisable to use springs to aid raising the pantograph. When choosing the additional spring(s) for your pantograph, you will first need to know exactly which model of pantograph you have, in order that you can select the spring of the correct length. If you have the new compact pantograph (with grey-painted "scissors"), the TOP 2 version has a red notched ring, while the TOP 4 version has a blue notched ring. After having identified the length of the pantograph, choose the appropriate spring(s) by referring to the table below.

Spring Type	Counter Balanced Weight
Without Spring .....	From 0 lbs. to 8.8 lbs.
Type 4.....	From 6.6 lbs. to 17.6 lbs.
Type 4 + Type 4.....	From 17.6 lbs. to 30.9 lbs.
Type 12.....	From 19.8 lbs. to 35.2 lbs.
Type 4 + Type 12.....	From 28.7 lbs. to 39.7 lbs.

**Pantograph Top 4C (FF3514N86)**  
**Item # BOFF3514N86.....433.95**

**Pantograph Top 2C (FF3512N86)**  
Same as FF3514N86 but shorter.  
**Item # BOFF3512N86.....278.50**



# MANFROTTO

## SKY TRACK SYSTEM

### TELESCOPIC POSTS

Telescopic Post Extendable - 33½ to 80" (FF3248)

A telescopic system for the balanced suspension of loads. Adjustable in height with automatic positioning at the desired position. A female attachment with safety plug and locking lever is attached at each end. The safety plug has a latch with push-button release. To adjust the balance of the load, rotate the handle clockwise or counterclockwise. It sustains loads from 3 lbs. (1.5kg) up to 26.6 lbs. (12kg) max.



Item # **BOFF3248**.....**169.95**

Small Telescopic Post Extendable - 23½ to 50½" (FF3249)  
Same as FF3248, extendable from 23½" to 50½".

Item # **BOFF3249**.....**169.95**

### EXTENSION TUBES

Extension Tube 19½" Long (FF3240)

These are fixed extenders which have female 5/8" attachment at each end. You attach them directly on the spigot of single carriages or to the fixed support FF3222.



Item # **BOFF3240**.....**29.95**

Extension Tube 39½" Long (FF3242)  
Same as FF3240 39½" long.

Item # **BOFF3242**.....**39.95**

### SAFETY STEEL CABLE

Safety Steel Cable (FF3276)

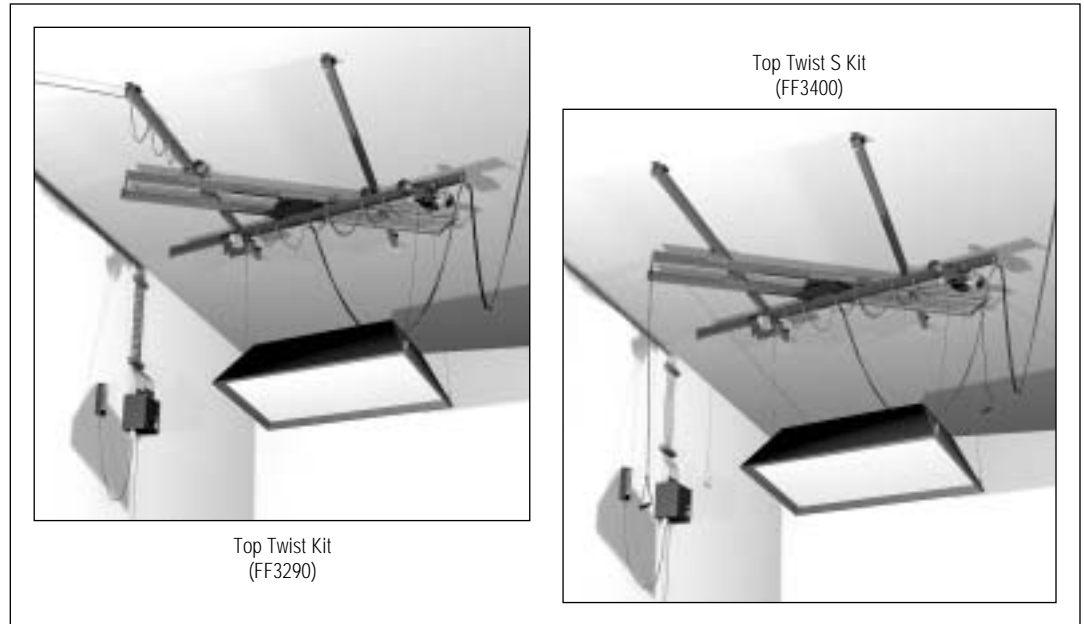
Complete with spring catch and hook-up slot. Recommended for Telescopic Post and Top Pantograph in order to avoid accidental falling of equipment. Length: 12½" (350mm).



Item # **BOFF3276**.....**10.95**

### TOP TWIST AND TOP TWIST S KITS

*Large lighting banks can be hung from the ceiling and maneuvered using the Top Twist, thanks to its combination of tracks/rails, carriages and remote controlled motor groups.*



- Two parallel rails, mounted on double carriages that run on the ceiling rails, carry the bank suspension group and allow it to be manually moved backwards and forwards.
- The central plate allows 360° motorized rotation (around the axis) and permits manual movement side to side on the rails.
- The bank supported on the rail/central support can be raised and lowered at 3 points, each of which is controlled by an independent motor.

#### Top Twist

- Manual movements are made easier by the supplied cables (with handles).
- Motorized movements are bi-directional and run by an electronic control box with remote control unit.

#### Top Twist S

- All movements are motorized and bi-directional, run by an electronic control box with remote control unit.

#### Top Twist Kit

Includes:

- 2- Rails 9'10" (3m) Long
- 1- Rail 8'10" Long
- 1- Rotation kit composed of complete 360° rotation plate, rail spacers and string complete with handgrips
- 8- Endstops
- 1- Motor group complete with sliding carriage
- 1- Double motor group complete with sliding carriage
- 1- 4-channel electronic power supply.

Attention: Please note that the following parts are not included in the kit listed here and they should be ordered separately:

- \*Rail fixing brackets
- \*4 end stops
- \*4 double carriages
- \*Cables carriages
- \*Remote control: FF3287M

Top Twist Kit (FF3290)

Item # **BOFF3290**.....**1644.95**

#### Top Twist S Kit

Includes:

- 2- Rails 9'10" (3m) Long
- 1- Rail 8'10" Long
- 1- Motorized rotation kit with 2 Top Copter/S motors, composed of 360° rotation plate, rail spacers and string complete with handgrips
- 8- Endstops
- 1- Motor group complete with sliding carriage
- 1- Double motor group complete with sliding carriage
- 1- 8-channel electronic power supply.

Attention: Please note that the following parts are not included in the kit listed here and they should be ordered separately:

- \*Rail fixing brackets
- \*4 end stops
- \*Cables carriages
- \*2 double motorized carriages
- \*2 double sliding carriages
- \*Remote control: FF3289M

Top Twist S Kit (FF3400)

Item # **BOFF3400**.....**2006.50**

# MANFROTTO

## SKY TRACK SYSTEM

MISCELLANEOUS

### KITS

#### Top System 32 (FF3032)

Complete kit for small studios.

*Kit includes:*

- 3- Rails 9'10" long (FF6003B)
  - 2- Kits of 4 endstops (FF3207)
  - 6- Brackets for ceiling fixture (FF3210)
  - 2- Kits of 5 cable carriages (FF3226)
  - 2- 4-wheeled sliding carriages with 5/8" spigot (FF3230)
  - 1- Double sliding carriage (FF3232)
  - 1- Double sliding carriage with single brake (FF3236)
  - 2- Telescopic Posts (FF3248)
  - 2- Universal spigot adapters 5/8" (013)
  - 2- Safety steel cables (FF3276)
- Item # BOFF3032.....859.95**

#### Top System 33 (FF3033)

Complete kit for small studios.

*Kit includes:*

- 4- Rails 9'10" (3m) long (FF6003B)
  - 3- Kits of 4 endstops (FF3207)
  - 6- Brackets for ceiling fixtures (FF3210)
  - 3- Kits of 5 cable carriages (FF3226)
  - 3- 4-Wheeled sliding carriages with 5/8" spigot (FF3230)
  - 2- Double sliding carriages (FF3232)
  - 2- Double sliding carriages with single brake (FF3236)
  - 2- Telescopic Posts (FF3248)
  - 1- Top 2 Pantograph (FF3512N86)
  - 2- Universal spigot adapters 5/8" (013)
  - 3- Safety steel cables (FF3276)
- Item # BOFF3033 .....1349.95**

#### Top System 43 (FF3043)

Complete kit for medium studios.

*Kit includes:*

- 2- Rails 9'10" long (FF6003B)
  - 2- Rails 13'1/2" long (FF6004B)
  - 3- Kits of 4 end stops (FF3207)
  - 6- Brackets for ceiling fixtures (FF3210)
  - 3- Kits of 5 cables carriages (FF3226)
  - 3- 4-Wheeled sliding carriages with 16mm spigot (FF3230)
  - 2- Double sliding carriages (FF3232)
  - 2- Double sliding carriages with single brake (FF3236)
  - 3- Top 2 Pantographs (FF3512N86)
  - 3- Safety steel cables (FF3276)
- Item # BOFF3043 .....1654.95**

#### Top System 54 (FF3054)

Complete kit for large studios.

*Kit includes:*

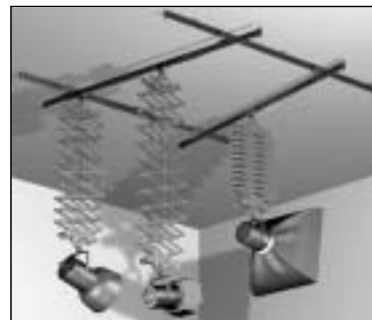
- 2- Rails 16.4' long (FF6005B)
  - 3- Rails 9'10" long (FF6003B)
  - 4- Kits of 4 endstops (FF3207)
  - 8- Brackets for ceiling fixtures (FF3210)
  - 4- Kits of 5 cable carriages (FF3226)
  - 4- 4-Wheeled sliding carriages with 5/8" spigot (FF3230)
  - 3- Double sliding carriages (FF3232)
  - 3- Double sliding carriages with single brake (FF3236)
  - 4- Top 2 Pantographs extendable (FF3512N86)
  - 4- Safety steel cables (FF3276)
- Item # BOFF3054 .....2399.95**



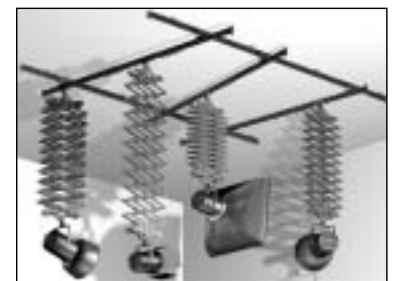
Top System 32 (FF3032)



Top System 33 (FF3033)



Top System 43 (FF3043)



Top System 54 (FF3054)



### POWER SUPPLY AND REMOTE CONTROLS

#### Power Supply Kit

**8 Channel (FF3288MBKIT)**

The kit is composed: 1- Power unit to convert 120Vac to 24 Vdc (FF3288MB) 1- Remote control with 8 up/down push buttons (FF3289M).

**Item # BOFF3288MBK... 574.95**

#### Power Supply Kit

**4 Channel (FF3286MBKIT)**

The kit is composed: 1- Power unit to convert 120Vac to 24 Vdc (FF3286MB) 1- Remote control with 4 up/down push buttons (FF3287M).

**Item # BOFF3286MBK... 439.95**

### OVERHEAD LIGHT SUSPENSION

The following complete Master Rail systems have all the necessary items priced to install a standard three light system in an area from 9' to 20' wide. The length of the system is easily determined by pricing fixed rail (the second item) 1' less than the entire length of the studio. The systems are priced with the maximum 20' fixed rail in each example.

**Note #1**

When covering the entire width of the studio, choose a width 1' less than the entire width of the studio.

**Note #2**

The system lists all necessary items for a flush mount ceiling. If a dropped installation is necessary to install the fixed rails below a false ceiling, or to drop the fixed rails to the desired 12' to 13', substitute AD71 rail clamps in place of the AD74 rail clamps. Also include enough 6' sections of AD75 rod to drop the system.

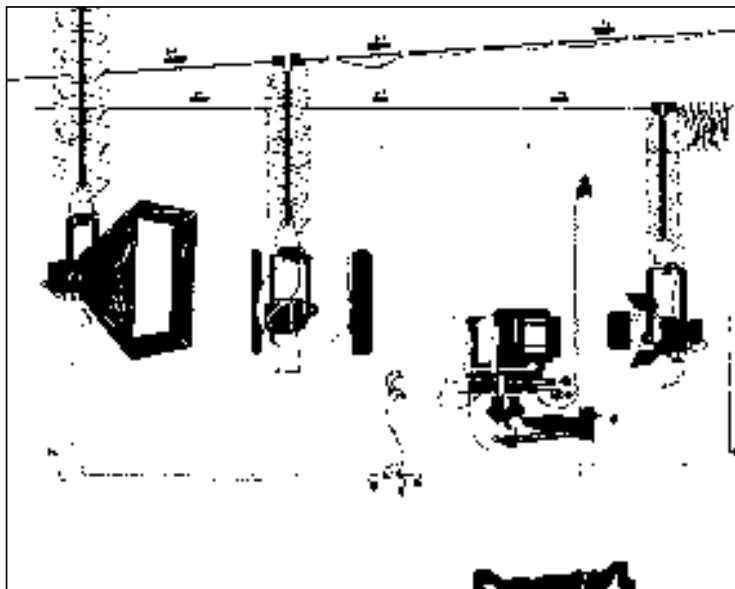
#### PACKAGE 1

For a room width 9' - 11' and ceiling height 11' - 13'.

*Includes:*

- 2- AD70 (Length 1' less than length of studio) (20' rails priced)
- 3- AD70-08 8' Rail (Traverse Rails)
- 8- AD73 2' Channel for rail mounting
- 8- AD74 Rail Clamp (fastens fixed rail to AD73)
- 6- AD78 Double Carrier
- 12- AD80 Cable Carrier
- 3- AD31A Light Lift (capacity 10 lbs.)
- 3- AD91 Adapter (to mount lights)

Item # PHMRK1.....2432.50



#### PACKAGE 2

For a room width 12' - 14' and ceiling height 11' - 13'.

*Includes:*

- 2- AD70 (Length 1' less than length of studio) (20' rails priced)
- 3- AD70-10 10' Rail (Traverse Rails)
- 8- AD73 2' Channel for rail mounting
- 8- AD74 Rail Clamp (fastens fixed rail to AD73)
- 6- AD78 Double Carrier
- 12- AD80 Cable Carrier
- 3- AD31A Light Lift (capacity 10 lbs.)
- 3- AD91 Adapter (to mount lights)

Item # PHMRK2.....2462.50

#### PACKAGE 3

For a room width 15' - 16' and ceiling height 11' - 13'.

*Includes:*

- 3- AD70 (Length 1' less than length of studio) (20' rails priced)
- 3- AD70-12 12' Rail (Traverse Rails)
- 12- AD73 2' Channel for rail mounting
- 12- AD74 Rail Clamp (fastens fixed rail to AD73)
- 9- AD78 Double Carrier
- 18- AD80 Cable Carrier
- 3- AD31A Light Lift (capacity 10 lbs.)
- 3- AD91 Adapter (to mount lights)

Item # PHMRK3.....2937.50

#### PACKAGE 4

For a room width 17' - 18' and ceiling height 11' - 13'.

*Includes:*

- 3- AD70 (Length 1' less than length of studio) (20' rails priced)
- 3- AD70-14 14' Rail (Traverse Rails)
- 12- AD73 2' Channel for rail mounting
- 12- AD74 Rail Clamp (fastens fixed rail to AD73)
- 9- AD78 Double Carrier
- 21- AD80 Cable Carrier
- 3- AD31A Light Lift (capacity 10 lbs.)
- 3- AD91 Adapter (to mount lights)

Item # PHMRK4.....3019.95

#### PACKAGE 5

For a room width 19' - 20' and ceiling height 11' - 13'.

*Includes:*

- 3- AD70 (Length 1' less than length of studio) (20' rails priced)
- 3- AD70-16 16' Rail (Traverse Rails)
- 12- AD73 2' Channel for rail mounting
- 12- AD74 Rail Clamp (fastens fixed rail to AD73)
- 9- AD78 Double Carrier
- 24- AD80 Cable Carrier
- 3- AD31A Light Lift (capacity 10 lbs.)
- 3- AD91 Adapter (to mount lights)

Item # PHMRK5.....3119.95

#### RAILS

- 8' Master Rail (AD7008)  
Item # PHR8.....56.95
- 10' Master Rail (AD7010)  
Item # PHR10.....66.50
- 12' Master Rail (AD7012)  
Item # PHR12.....75.95
- 14' Master Rail (AD7014)  
Item # PHR14.....84.95
- 16' Master Rail (AD7016)  
Item # PHR16.....89.95
- 18' Master Rail (AD7018)  
Item # PHR18.....107.95
- 20' Master Rail (AD7020)  
Item # PHR20.....116.95

## MASTER RAIL

### MOUNTING HARDWARE

**Channel (AD73)**  
2' long. Allows for adjustment of fixed rail spacing.  
**Item # PHC2.....15.95**

**Rail Clamp (AD74)**  
To fasten fixed rail to AD73. For ceiling height of 13' or less.  
**Item # PHRCC2.....14.95**

**Rail Clamp (AD71)**  
Used with AD75 threaded rod to fasten fixed rail to AD73 Channel when ceiling height is over 13'.  
**Item # PHRCTR.....18.95**

**Threaded Rod (AD75)**  
3/8" - 16 thread, 6' long.  
**Item # PHTR.....9.95**

### ACCESSORIES

**Double Carrier (AD78)**  
2 required to mount each traverse rail to fixed rails.  
**Item # PHDC.....44.95**

**Cable Carrier (AD80)**  
1 required for each 2' of traverse rail.  
**Item # PHCCQ.....18.95**

**Brake (AD83)**  
**Item # PHB.....16.95**

**Splice (AD82)**  
To join fixed rail where lengths longer than 20' are needed.  
**Item # PHS.....12.95**

**Plug Strip (AD48A)**  
6 GAC Outlets w/ Tripcord.  
**Item # PHPSQ.....103.50**

**Rail Stops (AD70S)**  
**Item # PHRSQ.....13.95**

### ADAPTERS FOR EXISTING STAND-MOUNTED LIGHTS

**Weight Adapter (AD54)**  
To balance any lightweight unit. Adjustable from 1/2 lb. to 6½ lbs. added weight.  
**Item # PHWA.....59.95**

**Weight Adapter f/ AD-54 (AD54B)**  
**Item # PHWAAD54.....34.95**

**Weight 1/2 lb. f/ AD54 (AD54WA)**  
**Item # PHWAD54.....2.95**

**AD51 Adapter (AD51)**  
To mount 8081L, AE11, AE17, AE18 Spotlight.  
**Item 3 PHAAD51AE18.....75.95**

**AD55 Adapter (AD55)**  
To mount 8050L or 8050M Flashmaster Lights on Light Lifts.  
**Item # PHAAD558050M...79.95**

**Adapter Yoke for AD92 (AD92Y)**  
**Item # PHAYAD92.....107.95**

**Special Short Side Mounting Weight Adapter (AD68)**  
**Item # PHAAD68.....44.95**

**Bearing Assembly (AD84)**  
To mount other types of lighting equipment on AD54.  
**Item # PHBA.....12.95**

**AD87 Adapter (AD87)**  
To mount AE 10-24 on Light Lifts.  
**Item # PHAAD87.....125.95**

**AD91 Adapter (AD91)**  
To mount Lights with Stand Adapter (3/8", 7/16" and 1/2")  
**Item # PHLSA.....148.50**

**Adapter Yoke for AD91 (AD91Y)**  
**Item # PHAYAD91.....89.95**

**AD92 Adapter for Power Lights (AD92)**  
**Item # PHAPL06A.....124.95**

# ALM / DELTA

## POSING STOOLS AND ACCESSORIES

### ALM POSING STOOL



**Posing Stool (122BK)**  
• Comfortable 2 inch urethane cushioned steel seat  
• Pneumatic control lever, adjusts seat from 20-30" high  
• Protective dust cover • Chrome plated cylinder  
• Strong high impact nylon base for stability  
**Item # ALPS.....159.95**

### DELTA POSING ACCESSORIES

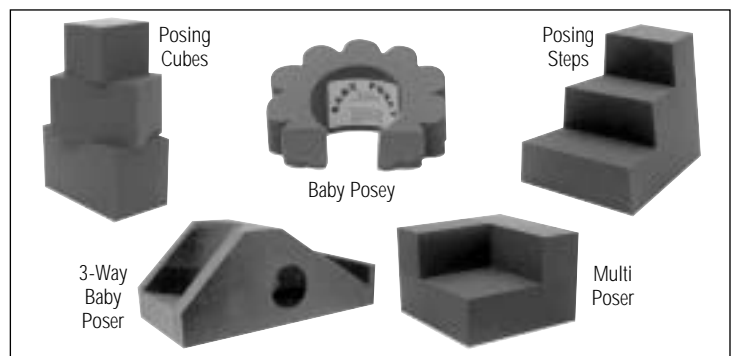
**Baby Posey (40804)**  
Unique sunflower shaped support poser holds infants and small children in place comfortably with a tapered & curved shape. 18" diameter.  
**Item # DEBP18.....47.50**

**Posing Steps (40820)**  
For seating, draping, support, group shots etc. 3-step, 24" x 30".  
**Item # DEP3S.....134.95**

**Posing Cubes**  
Excellent for seating, draping, support, group shots etc.

**Set of 3 Posing Cubes (40798)**  
Dimensions: 15" x 15" x 26", 13" x 13" x 20" & 11" x 11" x 14".  
**Item # DEPCS.....127.95**

**Extra Large Cube (40800)**  
16" x 16" x 32".  
**Item # DEPSEL.....82.95**



**3-Way Baby Poser (40802)**  
The perfect baby poser. Sitting or lying on their backs or tummies, the 3-Way Baby Poser provides the perfect camera angle for stunning pictures. Cradles baby in safety and comfort. Hand hole for holding baby. 27" long.  
**Item # DEBP27.....67.50**

**Multi Poser (40806)**  
Excellent for seating, draping, support, groups etc. Set of 3 cubes. Dimensions: 12" x 12" x 22", 12" x 12" x 34" and 34" x 34" x 12".  
**Item # DEP3S.....217.95**

### POSING STOOLS

**Deluxe Pneumatic Posing Stool (40703)**  
 14" molded, rubber seat provides comfort. The large 25" base ensures stability and safety. Pneumatic height adjustment provides a rise from 20" to 30". Lifetime limited warranty.

**Item # DEPSD .....129.95**

**Deluxe Posing Stool Armrest (40704)**  
 Padded and 4-way adjustable. Fits Posing Stool #40703 only.

**Item # DEARD.....41.95**

**Face Flatterer (45570)**  
 A face friendly reflector that adds catch light to eyes and softens facial features. A soft-box effect without extra lights and expense. Silver Flexiglass with white reverse.

**Item # DEFG1232.....39.95**

**Hands Free Pneumatic Posing Stool (40705)**  
 "Foot Ring" Pneumatic Posing Stool has 20" to 30" height adjustment, 14" molded seat and oversized 25" base for stability.

**Item # DEPSP.....199.95**

All Posing Stools & Tables come with oversized glides. Locking casters are available.

Face Flatterer



Deluxe Pneumatic Posing Stool



Hands Free Pneumatic Posing Stool



Two-Seater Pneumatic Posing Stool

**Two-Seater Pneumatic Posing Stool (40720)**  
 Has pneumatic height adjustment from 20" to 30". A 25" base ensures stability. The 24" x 6" cushioned ranchyde seat provides comfort for two.

**Item # DEPSP2.....139.95**

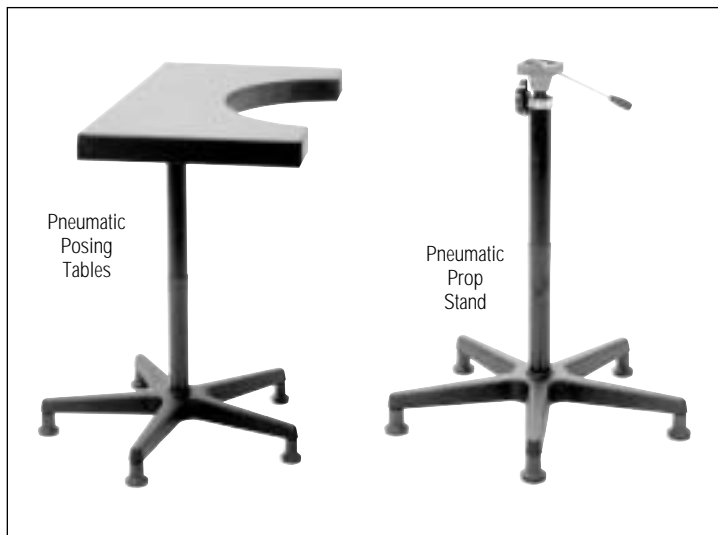
**Posing Stool Footrest (40740)**  
 Black die cast aluminum. Adjustable. Perfect for that relaxed pose. Fits Posing Stools #40703, #40720 and Prop Stand.

**Item # DEFRRPS.....43.50**

**Two-Seater Seat Only (40722)**  
 Fits #40720, #40703, #01112

**Item # DES2SPS .....54.50**

### POSING TABLES



Pneumatic Posing Tables

Pneumatic Prop Stand

**Pneumatic Posing Tables**  
 Adjusts a full 18" from 30" to 40" and 22" to 32" with extender removed. Fingertip control, for children and adults. The 34" x 18" x 2" top is black matte ABS plastic with a circular cutout. Column brake to prevent rotation. Oversized 25" base. Lifetime limited warranty.

**Table I w/stationary legs (01106)**  
**Item # DEPT1 .....184.95**

**Table II w/locking casters (01108)**  
**Item # DEPT2 .....192.95**

**Cast Aluminum Bracket (01114)**  
 For interchanging props.  
**Item # DEBPS.....15.95**

**Pneumatic Prop Stand (01112)**  
 Height from 22" to 32" or 30" to 40". Allows creativity with posing props. Includes cast aluminum bracket for attaching props.

**Item # DEPSPQ.....104.95**

**Posing Tilt Table (01109)**  
 Provides maximum creativity for glamour and dramatic shots. The 34" x 18", ABS plastic top tilts up to 20". Pneumatic height adjustment from 22-32" or 30-40".

**Item # DEPTL.....209.95**

**Locking Casters (Set of 5) (40730)**  
 Fits all Posing Stools, Posing Tables and Prop Stand.  
**Item # DECSPS .....19.95**

# IMPACT/PHOTOGENIC

MISCELLANEOUS

## POSING STOOLS AND TABLES

### PHOTOGENIC POSING STOOLS

#### State-of-the-Art Pneumatic Adjustment

The pneumatic adjustment is powered by a gas and oil pressure cylinder that is controlled by a single lever.

- All metal parts are chrome-plated steel or polished cast aluminum
- Designed and manufactured with strict attention to quality. This gives you seating that is durable, good looking, and functions properly. It's seating you can depend on for long lasting service
- Easy to use height adjustment. No struggling to get the proper level. Simple pneumatic makes this possible
- Full 360° seat rotation regardless of height adjustment type.



Steel Posing Stool  
4 Leg Tubular Base (PG341B)

Item # *PHPS* ..... **99.95**

Cushion Black Pullover  
for PG341B and PG341C (PGZ)

Item # *PHCPS* ..... **18.95**

### "TONY" POSING TABLES

The "Tony" Posing Table has been, for many years, one of the industry's most widely accepted items of photographic equipment among professionals everywhere. It brings both speed and predictably fine results to the art of posing, adding great flexibility to the vital element of arm and hand placement. The adjustable height of the upright extends from 28 to 48 inches, allowing for subjects standing or in a seated position. The 18" x 27" wood top is covered with black felt. Other colored materials or white may, of course, be draped over the black, where they will cling to the felt and stay in position.

#### Tony Posing Table with Stool (7826SP)

with Glides/Casters.  
Item # *PHPTTK* ..... **199.95**

#### Tony Posing Table with Stool (7826CTSP)

Casters only.  
Item # *PHPTTCK* ..... **199.95**

#### Tony Posing Table (7826) with Glides/Casters.

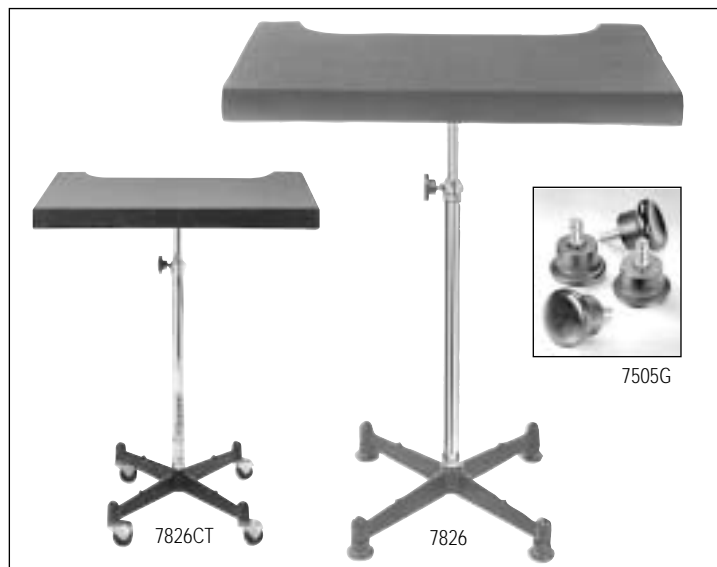
Item # *PHPTT* ..... **199.95**

#### Posing Table Head w/o Stand (7826H)

Item # *PHHPTT* ..... **84.95**

#### Set of 4 Glides (7505G)

Item # *PHGSTPT* ..... **17.95**



### IMPACT POSING STOOL



#### Deluxe Posing Stool (RST001)

- Pneumatic Cylinder Height Adjustment provides a rise from 21" to 35"
- Large 22" base ensure stability and safety
- 14" cushioned Vinyl seat provides comfort
- Stool seat rotation is a full 360° regardless of adjusted height
- High-tension steel materials, welded for strength and durability
- Weighs 10 lbs.

Item # *IMPS* ..... **79.95**

### IMPACT POSING TABLE



#### Deluxe Posing Table (PT100)

- Pneumatic Height Adjustment provides a rise from 27" to 43"
- Oversized 22" caster base ensure stability and safety
- Black matte wood 24" x 18" with a 2" rectangular circular cutout.
- High-tension steel material leg, welded for strength and durability

Item # *IMPT* ..... **84.95**

SHOOTING TABLES & ACCESSORIES

Choose from five quality shooting tables ranging in size from 20x25" (51x64cm) to 48x60" (122x152cm). All shooting tables are constructed with oversized wingnut knobs, torque levers and heavy 16 gauge square steel tubing with self locking hardware. All have adjustable leveling feet. The larger models have locking casters. Smaller models include Plexiglass and are fully assembled and ready to use.

**The Studio** (40010)  
 Uses only 48x60" (20x152cm) of floor space. Has four knobs for easy breakdown. Accepts 4x8' (1.2x2.4m) Plexiglass (not included). Height is 85" (216cm) maximum. Has stabilizer bars to hold the Plexiglass flat. It's curved in the front for low camera angles. The locking back frame is adjustable flat to 90°. Has a seamless roll holder and locking casters. Assembly required.  
**Item # DESTS.....359.95**

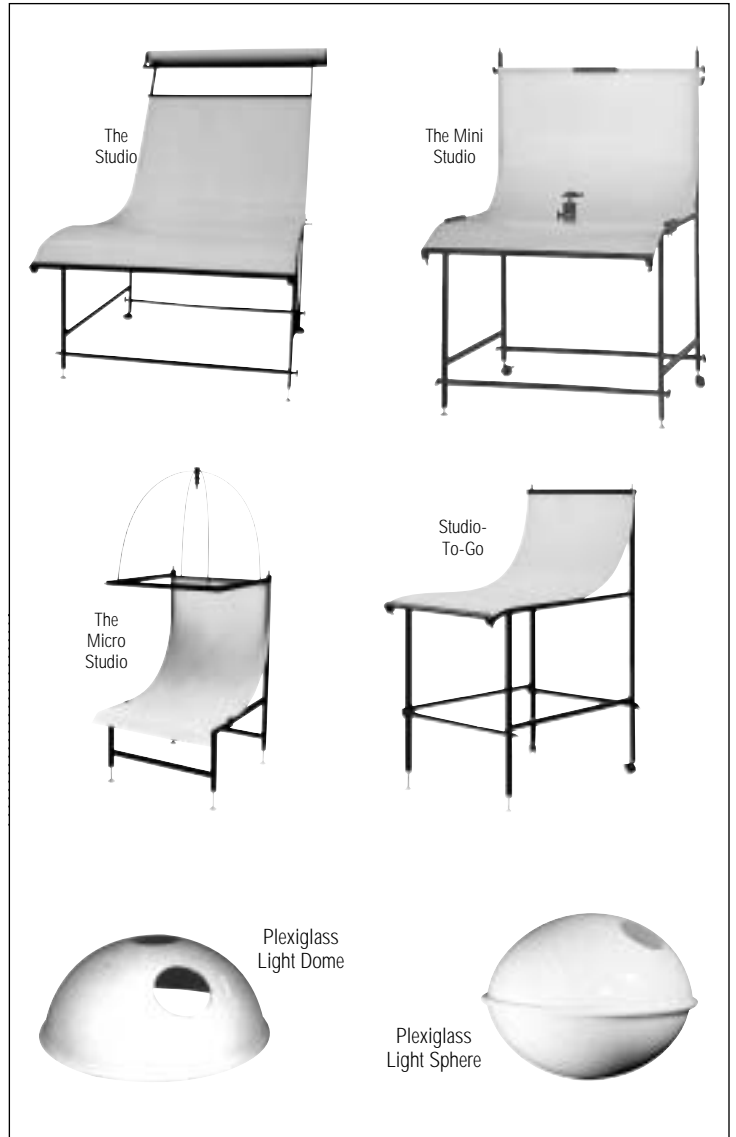
**The Mini Studio** (40310)  
 Takes only 42x36" (107x91cm) of floor space. Accepts 42x72" (107x182cm) Plexiglass (not included), and has a height of 64" (162cm). Stabilizer bars hold Plexiglass flat. There are light stand adapters on top rail for accessory booms, lights etc. Has a seamless paper roll holder and locking casters. Assembly required.  
**Item # DESTMSY.....299.95**

**Boom Arm** (40100)  
 For "The Studio" table.  
**Item # DEBASST.....127.95**

**Table Top Image Studio** (40540)  
 The ultimate photo-digital shooting table. Compact, folds to less than 1" thick. Includes carry handle. Sets up in one minute and ready to shoot. Perfect shadowless lighting for any tabletop or web page. 19 x 24" base. Includes background clips, durable nylon diffusion tent, adjustable arms and back frame. Dimensions: 18 x 24 x 25" (46x61x64cm)  
**Item # DETTIS.....159.95**

**Studio-To-Go** (40500)  
 Uses only 27x35" (68x89cm) of floor space. Height measures 32" (81cm) in front and 52" (132cm) in the back. Includes 27x54" (68x137cm) white Plexiglass. Stabilizer bars hold the Plexiglass flat. Has four knobs for easy breakdown. The curved front allows low camera angles and has locking casters. Assembly required.  
**Item # DESTSTG.....329.95**

**The Micro Studio** (40410)  
 For table top and still life photography. Assembles and breaks down quickly. Has a work height of 7" (18cm) to 12" (30cm), and Boom dome that holds up to 10lbs. Allows for unlimited positioning of lights. Includes a 24x48" (61x122cm) white Plexiglass. Assembly required.  
 Dimensions: 24x24x36" (61x61x91cm)  
**Item # DESTMS.....268.95**



SHOOTING TABLE ACCESSORIES

**Plexiglas Light Dome** (41000)  
 Soft diffused lighting surrounds your product from any direction. One piece, seamless. Reflected highlights appear clean without reflections of studio objects. 4" diameter openings in top and side. 19" diameter, 8" high.  
**Item # DEPLD.....124.95**

**Shooting Table Accessories**

**360° Plexiglass Light Sphere** (41060)  
 Soft, diffused lighting from any direction. Eliminates unwanted reflections in glassware, jewelry, etc. Sphere rotates to any position on a clear acrylic base. A 4" hole in each section is for shooting or lighting. Two round, white and clear, Plexiglass shooting shelves. Nests for easy storage. Includes two half domes, clear base, two shelves, and four clamps.  
**Item # DEPLS.....348.95**

## SHOOTING TABLES & ACCESSORIES

### MANFROTTO SHOOTING TABLES

#### Multipurpose Shooting Table (220)

Still life table with white, translucent plexi-glass cover for back or front lighting. Adjustable tilting back.  
 Size of panel: 78.8" x 49.25". Distance from floor to flat surface: 32.7".  
 Height with back on vertical position: 76". Weight: 41.1 lbs. (18.6kg)  
**Item #BO220.....599.95**

#### Mini Still Life Table (320)

Shooting Table that is perfect for small items such as jewelry, pottery and products. Similar to design of Still Life Table #220, but smaller. Includes white, translucent plexi-glass cover for back or front lighting. Adjustable tilting back and adjustable front legs.  
 Size of panel: 59" x 30". Distance from floor to flat surface: 27.5".  
 Height with back on vertical position: 61.8". Weight: 21 lbs. (9.5kg)  
**Item # BO320.....419.95**



### SAMIGON INTERNET PHOTO SYSTEM

#### Internet Photo Studio (CSA600)

- Two 8½ x 11" light units - each contains a 5000°K daylight balanced fluorescent bulb. Use individually or simultaneously to provide even, shadow-free illumination
  - 2 clips located on top light unit will hold bkgd. material in a natural sweep behind the item
  - Special effects are produced by placing gel filters over the light units
  - Adjustable height (up to 10") & tilt to control glare & reflection
- Item # SAIPS.....173.95**



### SMITH-VICTOR TST DIGITAL DESKTOP STUDIO KIT

A complete desktop lighting solution complete with lights, mounting arms and shooting table. Perfect for shooting small products, artwork, jewelry, or any other small subject in the minimum of space, with a minimum of fuss!

#### Digital Desktop Studio Kit (402019)

**Kit includes:**

- (1) ST24 opaque base module
- (1) CM24 clear module
- (2) TST light arms
- (2) Q250 250W video lights
- (2) DC-1 dimmer controls.

**Item # SMTSTDDSK.....459.95**



### CLOUD DOME

**Made of high impact, non-yellowing, crack-resistant plastic, Cloud Dome evenly diffuses natural light over the surface area of the object being shot. High quality digital photographs can even be achieved in low lighting. Lightweight and easily portable, the Cloud Dome is outfitted with a camera mount to eliminate any stability problems. It's the perfect accessory for any photographer of any skill level aiming to achieve the highest quality digital photographs.**

- The Cloud Dome is lightweight and easy to take in the field or use at home
- Perfect for photographing many types of objects:
  - Sports memorabilia
  - Jewelry - Stamps
  - Fossils - Documents
  - Stock & bond certificates
  - Artifacts - Gems & minerals
  - Circuit boards - Foliage
- Great for many applications:
  - Selling via online auctions
  - Record structural damage
  - Patent applications - Insurance
  - Forensic pathology
  - Archeology - Evidence recording



#### Cloud Dome Pro Kit (CDGPKIT)

**Kit includes:**

Cloud Dome, domicile bag, pro bracket (for longer lens and SLR cameras), universal bracket (for digital cameras), 7" straight extension collar, angled extension collar and user's guide.

**Item # CLCDK.....299.95**

#### Cloud Dome with Standard Universal Bracket (CD15UNV62)

**Kit includes:**

Cloud Dome, standard universal bracket, standard extension collar and user's guide.

**Item # CLCD.....149.95**

#### Pro "L" Bracket (CDPROL)

For Cloud Dome with larger cameras (SLR).

**Item # CLBPL.....41.95**

### "THE BOX" IMAGING SYSTEM

*Shoot perfectly lit, high resolution photographs virtually anywhere, anytime. The advantages are numerous. Be as creative as a professional photographer and save TIME and MONEY! This unique and easy to use digital imaging system will change the way you do business no matter if you manufacture, resell, collect, trade etc.*

Software included with every lighting system at no additional cost. With it, you can master the art of creating your own catalogs, CD presentations, images for web pages, e-mails and more.

#### FEATURES

- Electronically controlled individual lighting (Top, sides, back, front and platform).
- Lighted motorized platform, panning 180° and tilt 30°.
- Allows to position your camera 90° from top to front face.
- Added feature for the jewelry industry, top halogen light to enhance diamond with sparkles.

#### BENEFITS

- The perfect picture ideal for Ebay, web pages slide shows etc.
- Photograph your products and print your own catalogs quickly and economically.
- Maintain your website or update your catalog in-house.
- Keep a photographic database of all your products.
- Avoid freight and insurance expense when using an outside source.
- Ideal for inventory control, keep a record of all jewelry handed in for repair.

#### MK "The Box" (MKTHEBOX)

Features a halogen light at the top. Individual lighting, top, bottom, front door, motorized platform with light rotates 180° left to right and tilts 30° up and down. Horizontal position. Includes light table to shoot pictures any angle from top and front door with included sliding rail on top and front.

#### Included accessories:

- Set of 3 ring stands
- Earring stand
- Camera L-bracket
- Magnetic bracket
- Box of holding wax
- Set of 3 composition plates
- 4 watch stands
- Pendant stand
- Media browser software
- Round plate
- 3 pyramid ring stands
- 4 cap plates
- Double side tape to hold items

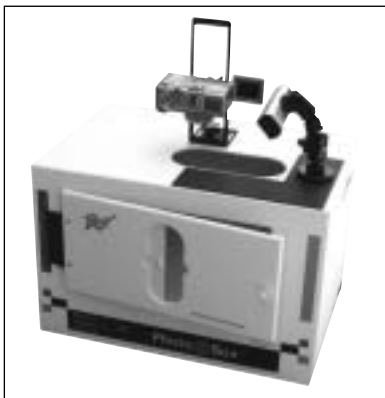
Outside dimensions: 22¼ x 20¼ x 19½" (57x51x50cm)

Weight: 65 lbs. (29.5kg)

Item # MKMKTB .....3194.95



### PHOTOeBOX



#### Photo eBox (MKPHOTO)

Features include: One light switch to control lighting. Door with sliding curtain and has an oval hole on top with caps.

#### Accessories include:

- L-camera bracket
- Magnetic bracket
- Media browser software.

Item # MKMKP .....849.95

*Complete product photography lighting studio with accuracy and simplicity in mind.*

#### BENEFITS

The MK PhotoeBox offers you the following benefits and much more:

- Tremendous money savings and fast turn-around time by producing product images in-house rather than outsourcing to a graphic design company.
- Increase sales with sharp quality product images.
- Easy to setup and continuously capture product images.
- Natural lighting for proper product display.
- Clean white background (or add your own background).
- Shadow-free wrap-around lighting eliminates the need for digital cleanup.
- Free technical support with any MK Digital product.
- Alternate digital cameras from Canon and Minolta are available for system package plans.
- Catalog software included with every lighting system at no additional cost. With it you can master the art of creating your own catalogs, CD presentations, images for web pages, emails & more.

#### APPLICATIONS

The MK PhotoeBox simplifies many product imaging applications:

- Product Sales (Print) – Advertising, Brochures, Catalogs, Flyers, Packaging
- Product Sales (Internet) – Auctions, Banner Advertising, E-Commerce, Email Attachments, Online Product Catalogs, Online Stores
- Website Design – Company Image, Product Line
- Inventory Management – Appraisals, Insurance Protection, Inventory Tracking

### PHOTO BOXES / ACCESSORIES

#### PHOTO BOXES

##### Photo Box (72001)

Features 3 switches to control lighting, side lights, bottom and back side.

##### Included accessories:

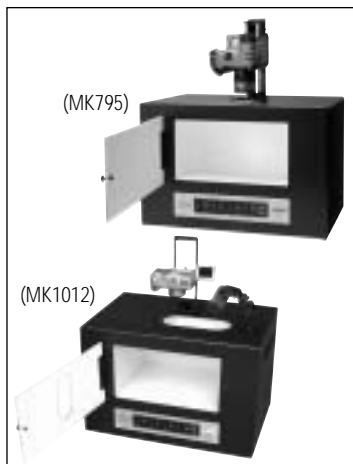
- Set of 3 ring stands
- Earring stand
- Camera L-bracket
- Box of holding wax
- Set of 3 composition plates
- 2 watch stands
- Pendant stand
- Media browser software

Outside dimensions:

16 x 9 1/4 x 11 3/4" (41x25x30cm)

Weight: 15 lbs. (6.8kg)

Item #MKMK795.....1094.95



##### Photo Box (74001)

Features 3 switches to control lighting, side lights, bottom & back side. Oval hole on top with caps.

##### Included accessories:

- Set of 3 ring stands
- Earring stand
- Camera L-bracket
- Magnetic bracket
- Box of holding wax
- Set of 3 composition plates
- 2 watch stands
- Pendant stand
- Media browser software

Outside dimensions:

19 3/4 x 13 1/4 x 13" (50x34x33cm)

Weight: 21 lbs. (9.5kg)

Item #MKMK1012.....1294.95

##### Photo Box

##### Digital Dynamics (74005)

Features 1 switch to control lighting, side lights, back side. No Light on platform, oval hole on top with caps, motorized platform, rotates 180° & tilts 15°.

##### Included accessories:

- Set of 3 ring stands
- Earring stand
- Camera L-bracket
- Magnetic bracket
- Box of holding wax
- Set of 3 composition plates
- 2 watch stands
- Pendant stand
- Media browser software

Outside dimensions:

19 3/4 x 13 1/4 x 13" (50x34x33cm)

Weight: 21 lbs. (9.5kg)

Item #MKMK1012DD...1494.95

##### Photo Box (75001)

Features 3 switches to control lighting, side lights, bottom and back side. Oval hole on top with caps.

##### Included accessories:

- Set of 3 ring stands
- Earring stand
- Camera L-bracket
- Magnetic bracket
- Box of holding wax
- Set of 3 composition plates
- 2 watch stands
- Pendant stand
- Media browser software

Outside dimensions:

26 x 17 1/4 x 18" (66x44x46cm)

Weight: 39 lbs. (17.7kg)

Item #MKMK1416.....2194.95

##### Photo Box

##### Digital Dynamics (75005)

Features 1 switch to control lighting, side lights, bottom and back side. No light on platform, oval hole on top with caps, motorized platform, rotates 180° & tilts 30°.

##### Included accessories:

- Set of 3 ring stands
- Earring stand
- Camera L-bracket
- Magnetic bracket
- Box of holding wax
- Set of 3 composition plates
- 2 watch stands
- Pendant stand
- Media browser software

Outside dimensions:

26 x 17 1/4 x 18" (66x44x46cm)

Weight: 41 lbs. (18.6kg)

Item #MKMK1416DD...2394.95

#### ACCESSORIES

##### Accessories (52005)

##### Includes:

- Set of 3 ring stands
- Earring stand
- Camera-L bracket
- Box of holding wax
- Set of 3 composition plates
- 2 watch stands
- Pendant stand
- Media browser software.

Weights 1 lb. (.05kg)

Item # MKA.....94.95

##### Deluxe Accessories (52010)

##### Includes:

- Set of 3 ring stands
- Earring stand
- Camera-L bracket
- Box of holding wax
- Set of 3 composition plates
- 2 watch stands
- Pendant stand
- Media browser software
- Round plate
- 3 pyramid rim stands
- 4 cap plates
- Double side tape to hold items

Weights 1 lb. (.05kg)

Item # MKAD.....109.95

##### Magnetic Bracket (32001)

Length: 3" (7.6cm)

Weights: 1/2 lb. (0.2kg)

Item #MKMB.....39.95

##### "L" Bracket (32005)

Dimensions: 9 x 2.8" (22.9x7.1cm)

Weights: 1/2 lb. (0.2kg)

Item #MKLB.....39.95

##### Half Foot LED Light (92001)

5800°K. Natural daylight with 38 ultra bright LED's. For sparkles on stones and diamonds. Includes power cable, A/C adapter and magnetic bracket.

Dimensions: 1 x 1 1/2 x 1" (2.5x1.5x2.5cm)

Weight: 1/2 lb. (0.2kg)

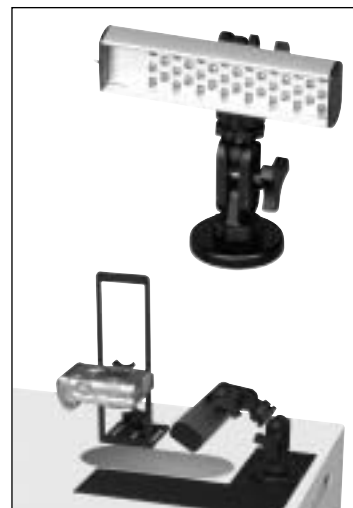
Item #MKLEDL.....159.95

##### Round 32W 12" Daylight Balanced (LH32W)

Installed in platform (bottom) for MK "The Box".

Weight: 1/2 lb. (0.2kg)

Item #MKLH32W.....19.95



##### Side Lights 28 Watts (LH28W)

For left and right side for MK "The Box".

Weight: 1/2 lb. (0.2kg)

Item #MKLH28W.....18.95

##### 9" Light Tube (LHF6T5D)

For door for MK "The Box".

Weight: 1/2 lb. (0.2kg)

Item #MKLHF6T5D.....18.95

##### 12" Light Tube (LHF8T5D)

Lights for top of MK "The Box".

Weight: 1/2 lb. (0.2kg)

Item #MKLHF8T5D.....18.95

##### 12" Round Halogen Lights (LH005)

For top of MK "The Box".

Weight: 1/2 lb. (0.2kg)

Item #MKLH.....24.95

##### 21 Watts Side Lights (LH21W2D)

For left, right and back side for MK Photo eBox, MK1012 and MK1012DD.

Weight: 1/2 lb. (0.2kg)

Item #MKLH21W2D.....16.95

##### 28 Watts Light (LH28W2D)

For Photo eBox, MK1012.

Weight: 1/2 lb. (0.2kg)

Item #MKLH28W2D.....18.95

##### 28 Watts Light (LH28W)

For sides for MK1416.

Weight: 1/2 lb. (0.2kg)

Item #MKLH28W.....18.95

# LASTOLITE / PHOTEK

## CUBELITE / DIGITAL LIGHTHOUSE

### LASTOLITE CUBELITE

The new diffusing Cubelite is designed for studio and location use. The Cube performs two functions: to isolate reflective subjects from their surroundings, minimizing reflections. This creates completely enclosed environment and provides a shadowless light source. The cube can be lit from the sides, from above, from behind, from the front, and even from underneath with a suitable product table. Adaptable, very lightweight and it is fully collapsible, taking up a fraction of its original size. The inside has a pair of handy crocodile clips which support a sheet of paper to make a gradient curve.

- Ideal for product shots
- Shadowless Lighting
- Perfect for digital or film use
- Isolates subject
- Collapses into bag
- Lights from any side

Cubelite 2' (LR2486)  
 Item # LAC2.....126.50

Cubelite 4' (LR4886)  
 Item # LAC4.....177.95



#### Outdoor Cubelite (LR3687)

Comes with a removable bottom, so it can be placed directly over the subject like flowers, etc. On location the back panel can be removed so that the subject can still be kept in its natural environment but sheltered from the elements, giving a diffused light source.  
 Item # LACO.....196.95



Cubelite Kit 3' (LR3601)

Kit includes:

- 1- 500W Tungsten Lamp • 1- Stand • 1- 3' Cubelite • 1- Carry case
- 1- 30" Square silver/white reflector • 1- Vinyl background.

Item # LACK3.....491.95

### PHOTEK DIGITAL LIGHTHOUSE

Digital Lighthouse is a color-corrected, translucent cloth material housing for photographing small and medium products that can be lit with daylight, HMI, electronic flash, fluorescent quartz and tungsten light sources. The Digital Lighthouse can be lit from the sides, top, back, front or can be placed on a shooting table for bottom illumination. It also includes a removable Black Sweep that aids in preventing shadows on the background and provides complete separation from the item being photographed. It contains a removable plastic base, forming a rigid base for ease of product placement. The Digital Lighthouse helps to produce photographs with a professional quality because product lighting is made simple and efficient, and takes less time than conventional lighting solutions.

- Complete portability in design with one-touch set up & breakdown
- Full zipper front and zipper on top panel for lens positioning
- Use the Digital Lighthouse for web advertising photos, small and medium product photography, copying art work and recording sculptures for future reference.



15x15" Digital Lighthouse (DLH15)

Dimensions: 15 x 15 x 22.75" (38x38x58cm) with a removable black sweep 14.5 x 32" (37x81cm) that attaches to the inside with velcro tabs. Includes a 15 x 22.75" (38x58cm) rigid base. Weighs 2.5 lbs. (1.1kg.)

Item # PHDLHS.....59.95

18x18" Digital Lighthouse (DLH18)

Dimensions: 18 x 18 x 27.5" (46x46x70cm) with a removable black sweep 17.25 x 41" (44x104cm) that attaches to the inside with velcro tabs. Includes a 18 x 27.5" (46x70cm) rigid base. Weighs 3.8 lbs. (1.7kg.)

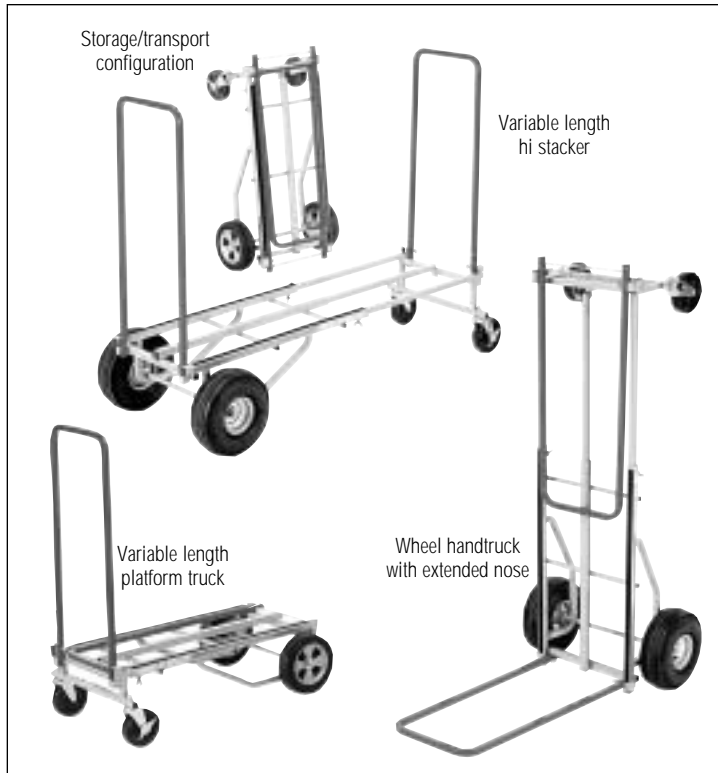
Item # PHDLHM.....84.95

24x24" Digital Lighthouse (DLH-24/36)

Dimensions: 24 x 24 x 36" (61x61x91cm) with a removable black sweep 23.25" x 60" (59x152cm) that attaches to the inside with velcro tabs. Includes two rigid bases one 24 x 24" (61x61) and the other 24 x 36" (61x91) allowing both vertical and horizontal formats. Folds flat and fits into a slim carry case. Weight 7.5 lbs. (3.4kg.)

Item # PHDLHL.....117.50

## CARTS



*The Rock N' Roller super carts are material movers that combine the portability of a luggage cart with the big load capacity of an industrial 4-wheel dolly. These versatile carts can be configured in five different positions to suit your moving needs.*

### Micro Cart (RR2)

Designed to move loads up to 300 lbs. (136kg). Frame expands from 26.5" (67cm) to 39" (99cm) and it has 25" (64cm) and 20" (51cm) foldable sides. It uses 6 x 1.75" (15 x 4cm) rear wheels and 4" (10cm) front swivel casters. Weighs 18 lbs. (8.2kg).

**Item # MURR2.....94.95**

### Mid Cart (RR8)

Carries 500 lbs. (227kg). Frame expands from 34" (86cm) to 52" (132cm). It has two 32" (81cm) foldable sides. It uses 8 x 2.5" (20 x 6cm) semi-pneumatic rear wheels and 5" (13cm) front swivel casters. Weighs 31 lbs. (14kg).

**Item # MURR8 .....139.95**

### Max Cart (RR10)

Carries 500 lbs. (227kg). Built-in heavy duty stair climber. Frame expands from 34" (86cm) to 52" (132cm). It has two 32" (81cm) foldable sides. It uses 10 x 3.5" (25 x 9cm) pneumatic rear wheels and 5" (13cm) front swivel casters. Weighs 33 lbs. (15kg).

**Item # MURR10 .....159.95**

# RUXXAC

## FOLDING CARTS

*The perfect solution for toting a variety of photo and video equipment, computers, convention and presentation materials, heavy suitcases and any heavy loads. Carries up to 275 lbs., yet folds to 2½". Unfolds in seconds, no assembly required. Features a heavy-duty tie-down elastic cord. Lifetime limited warranty.*

### Ruxxac Folding Cart Standard (90751)

Dimensions: 27 x 20 x 2.5"  
(69 x 51 x 6cm)

Weight: 11.5 lbs. (5.2kg).  
Carries 275 lbs. (125kg).

**Item # RUC.....99.95**

### Ruxxac Folding Cart Extra Long (90761)

Dimensions: 29.5 x 20 x 2.5  
(75 x 51 x 6cm)

Weight: 12.1 lbs. (5.4kg).  
Carries 275 lbs. (125kg).

**Item # RUCXL .....109.95**

### Ruxxac Folding Cart Jumbo (90781)

Dimensions: 49.75 x 22.5 x 5"  
(126x57x13cm)

Weight: 28 lbs. (12.7kg).  
Carries 550 lbs. (250kg).

**Item # RUCJF.....284.95**

### Ruxxac Folding Cart Stainless Steel (90801)

Dimensions Open: 44 x 19 x 15.5"  
(112x48x39cm)

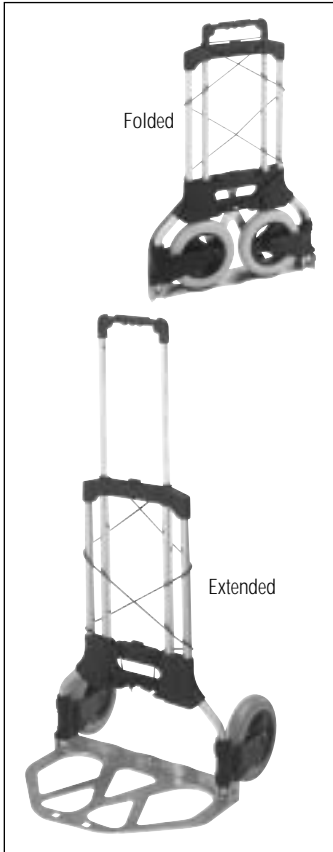
Weight: 11.25 lbs. (5.1kg).  
Carries 275 lbs. (125kg).

**Item # RUCSS .....149.95**



## FOLDING HANDTRUCKS

### FOLDING HANDTRUCKS



**Superlite Folding Handtruck** (220617)

Superlite with nose and wheels folded in for storage & transport. Press of a button releases nose. Unfolding nose moves wheels into operating position. Superlite set up with handle extended.

**Extended Dimensions:**

Height: 42" (107cm)  
Width: 19" (48cm)  
Depth: 19" (48cm)

**Folded Dimensions:**

Height: 29.5" (75cm)  
Width: 19" (48cm)  
Depth: 2" (5.1cm)

**Noseplate Dimensions:**

19" W x 12" D (48x30cm)

**Weight:**

8.4 lbs. (3.8kg)

**Capacity:**

175 lbs. (79kg)

Item # WESLQ ..... 99.95

### COBRA HANDTRUCKS

*New aluminum Cobra Series convertible hand trucks. Changes from 2 to 4 wheel position at the press of a lever. Cast nose plate, 18" wide. Options include folding noses, aluminum decks and extruded nose plates.*

**Mini Cobra Handtruck** (220615)  
Compact version of our highly successful Cobra Aluminum Convertible hand truck, comes standard with foot-actuated folding nose.

**Dimensions 2 Wheel:**

15" W x 16" D x 44" H  
(38x41x118cm)

**Dimensions 4 Wheel:**

15" W x 16" D x 29.5" H  
(38x41x75cm)

**Capacity 2 Wheel:**

300 lbs. (136kg)

**Capacity 4 Wheel:**

500 lbs. (227kg)

**Weight:** 28 lbs. (12.7kg)

Item # WEMC ..... 249.95

**Cobra Jr. Handtruck** (220293)

**Frame Bed:**

12" x 38" (30x97cm)

**Overall Height:**

51.75" (131cm)

**Capacity 2 Wheel:**

500 lbs. (227kg)

**Capacity 4 Wheel:**

650 lbs. (295kg)

**Weight:** 39 lbs. (18kg)

Item # WECJ ..... 299.95

**Cobra Sr. Handtruck** (220292)

**Frame Bed:**

12" x 50.75" (30x129cm)

**Overall Height:**

61.75" (157cm)

**Capacity 2 Wheel:**

500 lbs. (227kg)

**Capacity 4 Wheel:**

800 lbs. (363kg)

**Weight:** 42.5 lbs. (19.3kg)

Item # WECS ..... 299.95



### FOLDING HANDLE PLATFORM TRUCKS

*Ideal for office or industry. Handle folds out of the way for transportation or storage. 275 to 400 lbs. capacities.*

**Folding Handle**

Platform Truck 4" (272238)

**Platform Size:**

19" W x 29" L (48x74cm)

**Caster Size:** 4" (10cm)

**Capacity:** 275 lbs. (125kg)

**Weight:** 27 lbs. (12.2kg)

Item # WEES4 ..... 59.95

**Folding Handle**

Platform Truck 5" (272239)

**Platform Size:**

23" W x 35" L (58x89cm)

**Caster Size:** 5" (12.7cm)

**Capacity:** 400 lbs. (181kg)

**Weight:** 44 lbs. (20kg)

Item # WEES5 ..... 89.95

## KART-A-BAG

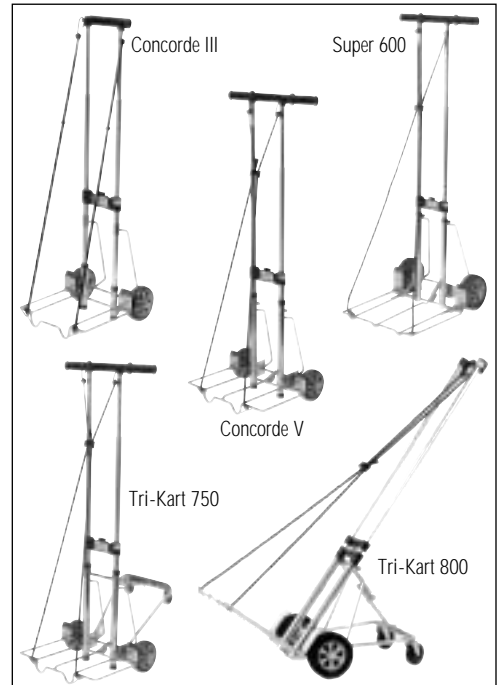
### REMIN KART-A-BAG

Constructed of heavy duty aluminum rods and chrome plated automotive grade steel wire, Remin carts offer simple load handling, telescoping handles and easy-to-use locking systems. Most units offer the patented locking system which makes opening and closing the carts as easy as pressing a button. 10 year limited warranty. Specialty carts, such as the TKT-900 can be used as a portable workstation with three shelves. The HD-500 is used to transport heavy loads up to 500 lbs.

### REMIN CARTS SPECIFICATIONS

Model	Supports Size	Wheel Open	Height Size	Platform Closed HWD	Size	Weight	Item #	Price	
Concorde III	175 lbs. (79kg)	5" (12.7cm)	41" (104cm)	11.75x9.5" (30 x 24cm)	18.75x13x4.5" (48x33x11cm)	7.5 lbs. (3.4kg)	REC3	69.95	
Concorde V	225 lbs. (102kg)	5" (12.7cm)	45.5" (116cm)	15.5x9" (39 x 23cm)	21.5x15.5x5.5" (55x40x14cm)	101 lbs. (4.5kg)	REC5	97.50	
Tri-Kart 750	Same as Concorde V, with rear wheels							RETK750	134.95
Super 600	300 lbs. (136kg)	6" (15cm)	48" (122cm)	15.5x12.5" (39 x 23cm)	20x16x6.5" (51x41x17cm)	13 lbs. (5.9cm)	RES600	113.95	
Tri-Kart 800	Same as Super 600, with rear wheels							RETK800	142.95
Kartmaster HD500 (Black)	500 lbs. (227kg)	Back 6" (15cm) Front 8.25" (21cm)	Upright 49" (124cm) Flatbed 35" (89cm)	18x18.5" (46 x 47cm)	31x20x10.25" (79x51x26cm)	44 lbs. (20kg)	REKMH500B	564.95	

Subject to change without notice



# MUSIC INDUSTRIES

## BAND WAGON

### BAND WAGON EQUIPMENT TRANSPORT WITH QUIK-LOK



The BW-800 is the strongest cart ever made with a total load bearing capacity of over 800 lbs. The 14-gauge steel frame construction is exceptionally durable and its uni-frame design will not sag under the most extreme conditions. Two folding sides lock into place and fold down flush so you can always take advantage of the non-skid frame bed. Over-sized hand truck platform makes large loads easier to manage. Hammer-tone gun metal blue and hammer-tone gun metal gray finishes are durable, stylish and non-reflective. Designed with no protruding cotter pins or pinch points that could cause injured fingers because we realize you need them to play. 10" pneumatic rear tires are shock absorbing and solid front wheels with locking caster brake insure a smooth ride all the way. Airframe style stair climber gets you up and over those bumps along the way and adds to its rugged good looks. With all these features you'll be able to use this super cart in a myriad of ways and it will never let you down. Limited Lifetime Warranty.

Band Wagon (BW800)  
Item # MUBW800.....179.95

### JUICE TOOLS

**Juice C2 Tool - Inferno (Fiery Red)** (70101003)  
*Includes:*

- Needlenose Pliers
- Straight Knife
- Wire Cutters
- Hard-Wire Cutters
- X-Small Screwdriver
- Small/Medium/Large Screwdriver
- Phillips Screwdriver
- Lanyard Attachment
- Can/Bottle Opener
- Corkscrew with Assist

Length: 3.25 in. closed  
 Weight: 4.3 ounces  
**Item # LEJC2.....48.50**

**Juice CS4 Tool - Glacial (Ice Blue)** (74204003)  
 Same as C2, plus:

- Scissors • Saw

Weight: 5.5 ounces  
**Item # LEJCS4.....59.95**

**Juice S2 Tool - Flame (Burnt Orange)** (70202003)  
 Same as C2, plus:

- Scissors
- w/o: • Corkscrew

Weight: 4.4 ounces  
**Item # LEJS2.....41.96**

**Juice KF4 Tool - Solar (Yellow)** (74103003)  
*Includes:*

- Needlenose Pliers
- Straight Knife
- Wire Cutters
- Hard-Wire Cutters
- Extra-Small Screwdriver
- Small Screwdriver
- Medium/Large Screwdriver
- Phillips Screwdriver
- Lanyard Attachment
- Saw • Awl
- Serrated Knife
- Diamond File
- Ruler

Length: 3.25 in. closed  
 Weight: 5.5 ounces  
**Item # LEJKF4.....59.95**

**Juice XE6 Tool - Thunder (Purple)** (78105003)  
 Same as KF4, plus:

- Can/Bottle Opener
- Scissors
- Corkscrew with Assist

w/o: • Ruler  
 Length: 3.2 in. closed  
 Weight: 6.8 ounces  
**Item # LEJXE6.....74.95**

### SQUIRT TOOLS

**Squirt P4 Tool - Glacier (Blue)** (80040003)  
*Includes:*

- Needlenose Pliers
- Straight Knife
- Wire Cutters
- X-Small Screwdriver
- Medium Screwdriver
- Small Flat Phillips Screwdriver
- Single/Cross-Cut File Opener • Awl
- Lanyard Attachment

Length: 2.25 in. closed  
 Weight: 2 ounces  
**Item # LESP4BL.....27.50**

**Squirt P4 Tool - Inferno (Red)** (80030003)  
**Item # LESP4R.....27.50**

**Squirt P4 Tool - Storm (Gray)** (80080003)  
**Item # LESP4G.....27.50**

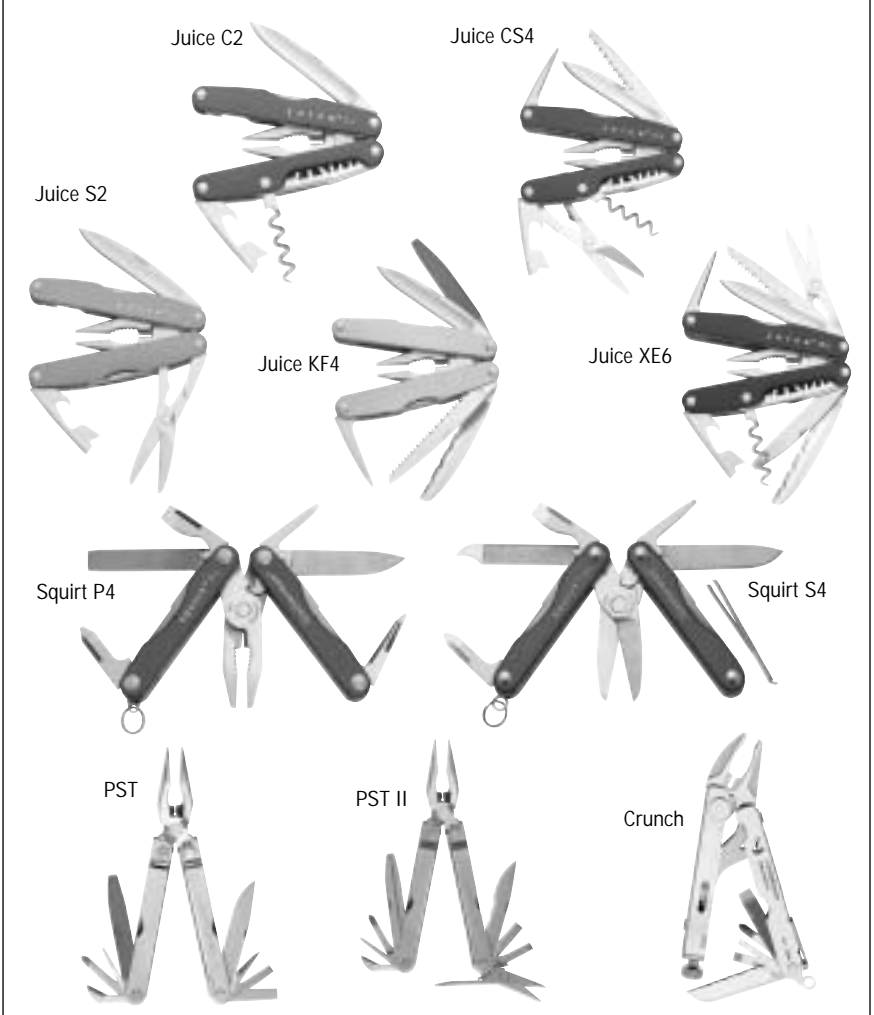
**Squirt S4 Tool - Glacier (Blue)** (81040003)  
*Includes:*

- Scissors
- Straight Knife
- Tweezers
- X-Small Screwdriver
- Medium Screwdriver
- Small Flat Phillips Screwdriver
- Nail File/Cleaner
- Opener • Ruler
- Lanyard Attachment

Length: 2.25 in. closed  
 Weight: 2 ounces  
**Item # LESS4BL.....27.50**

**Squirt S4 Tool - Inferno (Red)** (81030003)  
**Item # LESS4R.....27.50**

**Squirt S4 Tool - Storm (Gray)** (81080003)  
**Item # LESS4G.....27.50**



### POCKET SURVIVAL TOOLS

**Pocket Survival Tool (PST)** (61010103G)  
*Includes:*

- Needlenose Pliers
- Regular Pliers
- Wire Cutters
- Hard-Wire Cutters
- Clip-Point Knife
- Metal / Wood File
- 8 in. / 20 cm Ruler
- Can / Bottle Opener
- Small Screwdriver
- Medium Screwdriver
- Large Screwdriver
- Phillips Screwdriver (#1 / #2)
- Awl Punch

Length: 4 in. closed  
 Weight: 5 ounces  
**Item # LEPST.....39.95**

**Pocket Survival Tool II (PST II)** (61070103G)  
*Includes:*

- Needlenose Pliers
- Regular Pliers
- Wire/Hard-Wire Cutters
- Straight/Serrated Knife
- Diamond-Coated File
- Cross-Cut File
- Sharpening Groove
- 8 in. / 20 cm Ruler
- Can / Bottle Opener
- X-Small Screwdriver
- Medium Screwdriver
- Large Screwdriver
- Phillips Screwdriver
- Scissors

Length: 4 in. closed  
 Weight: 5 ounces  
**Item # LEPSTS.....39.95**

### CRUNCH TOOL

**Crunch Tool** (68010103G)  
*Includes:*

- Locking Pliers
- Wire Cutters
- Hard-Wire Cutters
- Serrated Knife
- Metal/Wood File
- Ruler (Inch/Metric)
- Bottle Opener
- Small Screwdriver
- Medium Screwdriver
- Large Screwdriver
- Phillips Screwdriver (#1/#2)
- Hex Bit Driver
- Wire Stripper
- Lanyard Attachment

Length: 4 in. closed  
 Weight: 6 ounces  
**Item # LEC.....69.95**

### TOOLS AND ACCESSORIES

#### MICRA/MINI TOOLS

##### Micra Tool (64010103G)

###### Includes:

- Scissors • Tweezers
- Clip-Point Knife
- Nail File / Cleaner
- Flat Phillips Screwdriver
- X-Small Screwdriver
- Medium Screwdriver
- Bottle Opener
- Ruler (Inch / Metric)
- Lanyard Attachment

Length: 2.5 in. closed  
Weight: 1.75 ounces

Item # LEMY.....**23.50**

##### Mini Tool (62010003G)

###### Includes:

- Needlenose Pliers
- Regular Pliers
- Wire Cutters
- Hard-Wire Cutters
- Clip-Point Knife
- Knife Blade • Ruler
- Can/Bottle Opener
- 1/4" Tip Screwdriver
- Metal/Wood File

Length: 2.6 in. closed  
Weight: 4 ounces

Item # LEMT.....**38.95**

#### FLAIR TOOL

##### Flair Tool (61050101)

###### Includes:

- Pliers
- Knife, 50/50
- Spreader Knife
- Wire/Hard Wire Cutters
- Scissors
- Large Screwdriver
- Medium Screwdriver
- X-Small Screwdriver
- Phillips Screwdriver
- Container Opener
- Bottle Opener
- Corkscrew with Assist
- Cocktail Fork • Ruler

Weight: 5.5 ounces

Item # LEF.....**59.95**

#### SIDECLIP TOOL

##### Sideclip Tool (61110003G)

###### Includes:

- Needlenose Pliers
- Regular Pliers
- Wire Cutters
- Hard-Wire Cutters
- Drop-Point Knife
- 8 in. / 20 cm Ruler
- Small Screwdriver
- Medium Screwdriver
- Large Screwdriver
- Phillips Screwdriver
- Can/Bottle Opener
- Clip • Lanyard Attach.

Length: 4 in. closed  
Weight: 5 ounces

Item # LESC.....**37.50**

#### PULSE TOOL

##### Pulse Tool (69010103G)

###### Includes:

- Regular Pliers
- Wire Cutters
- Hard-Wire Cutters
- Drop-Point Knife
- Cross-Cut File
- Diamond-Coated File
- Sharpening Groove
- Scissors
- Extra-Small Screwdriver
- Medium Screwdriver
- Large Screwdriver
- Phillips Screwdriver
- Can / Bottle Opener
- Ruler (8 in. / 20 cm)
- Lanyard Attachment

Length: 4 in. closed  
Weight: 6 ounces

Item # LEP.....**57.95**

#### SUPER TOOL 200

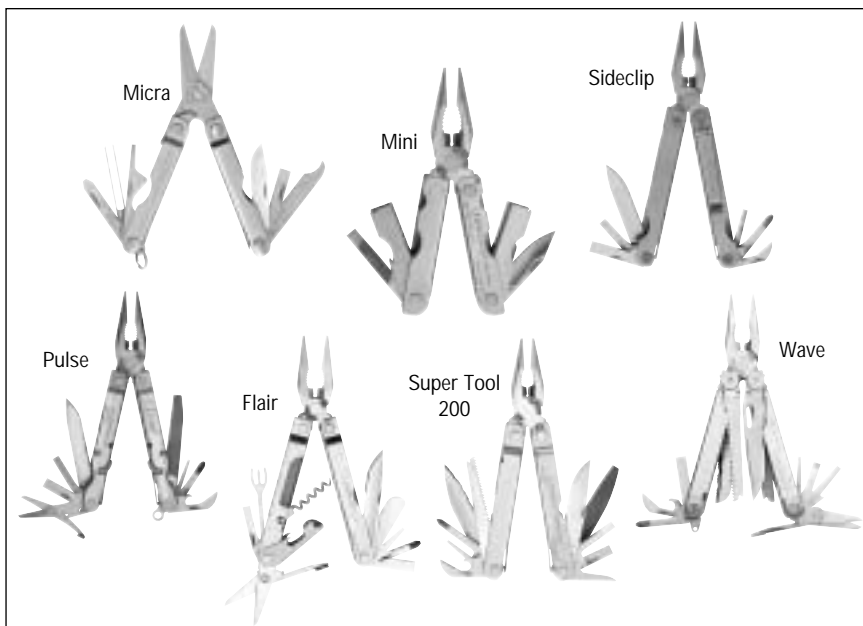
##### Super Tool 200 (63050103G)

###### Includes:

- Needlenose Pliers
- Regular Pliers
- Wire Cutters
- Hard-Wire Cutters
- Clip-Point Knife
- Serrated Knife
- Wood / Bone Saw
- Metal / Wood File
- 9 in. / 22 cm Ruler
- Can / Bottle Opener
- S / M / L Screwdrivers
- Phillips Screwdriver (#1 / #2)
- Electric Crimper
- Wire Stripper
- Awl Punch

Length: 4.5 in. closed  
Weight: 9 ounces

Item # LEST200.....**59.95**



#### ACCESSORIES

##### Standard Leather Pouches

For Crunch (930601)  
Item # LEPLC.....**8.95**

For Flair (930501)  
Item # LEPLF.....**8.95**

For Pulse (930601)  
Item # LEPLP.....**8.95**

For PST/PSTII (930101)  
Item # LEPLPST.....**8.95**

For Sideclip (930101)  
Item # LEPLSC.....**8.95**

For Super Tool 200 (930202)  
Item # LEPLST200.....**8.95**

##### Black Leather Pouches

For PST/PSTII (930103)  
Item # LEPLBPST.....**9.95**

For Sideclip (930103)  
Item # LEPLBSC.....**9.95**

For PST/PSTII (930102)  
Item # LEPLBRPST.....**9.95**

For Sideclip (930102)  
Item # LEPLBRSC.....**9.95**

For Super Tool 200 (930212)  
Item # LEPNBST200.....**9.95**

##### Black Nylon Belt Clip Pouches

For PST/PSTII (930131)  
Item # LEPNBCPST...**12.95**

For Sideclip (930131)  
Item # LEPNBCSC...**12.95**

##### Black Nylon Belt Loop Pouches

For Crunch (930611)  
Item # LEPNBLC.....**8.95**

For Flair (930711)  
Item # LEPNBLF.....**8.95**

For Mini Tool (930301)  
Item # LEPNBLMT...**8.95**

For Pulse (930711)  
Item # LEPNBLP.....**8.95**

For PST/PSTII (930111)  
Item # LEPNBLPSTQ...**8.95**

For Sideclip (930111)  
Item # LEPNBLSQ...**8.95**

For Wave (930411)  
Item # LEPNBWLW....**9.95**

For Super Tool 200 (930212)  
Item # LEPNBST200.....**9.95**

##### H.D. Black Basketweave Pouches

For PST/PSTII (930104)  
Item # LEPBWPST....**9.95**

For PST/PSTII (931400)  
Item # LEPBWPSTQ....**9.95**

##### Combo Leather Pouches

For PST/PSTII (930831)  
Item # LEPCLPST...**12.95**

For Super Tool 200 (930811)  
Item # LEPCLPST200...**13.95**

For Wave (930871)  
Item # LEPCLW.....**12.95**

##### Combo Nylon Pouches

For PST/PSTII (930841)  
Item # LEPCNPST...**12.95**

For Super Tool 200 (930821)  
Item # LEPCNST200...**13.95**

For Wave (930881)  
Item # LEPCNW....**12.95**

Tool Adapter (65010303)  
For Tools.  
Item # LETAQ.....**23.95**