

# FLOWCINE | BLACK

## BLACK ARM SET UP INSTRUCTIONS V0.75

### ROLL DAMPENER CONFIGURATIONS:

1. The roll dampener can be placed in four different configurations. When shipped the dampener is fastened in hole nr 2. on the roll bracket.

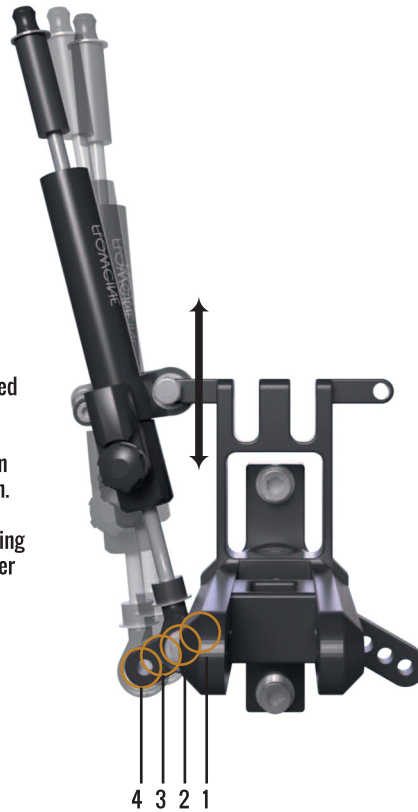
2. There are the different options your can mount the roll dampener to:

Position 1. Not currently being used.

Position 2. Enables minimum force of the dampener and limited end stop positions (around 40 degrees) on left/right swing.

Position 3. Enables medium dampener force (more momentum due to longer distance to centre), and larger end stop position.

Position 4. Enables maximum dampener force, and largest swing angle. Change angle also by adjusting position of the dampener clamp that is fastened on the main tube.



### VERTICAL DAMPENER CONFIGURATIONS:

1. You can change angle of the dampener to get more or less friction or avoid collision on any object placed behind the BLACK ARM. The following configurations are usable for the vertical dampener.

**NOTE!** This is NOT the correct position for 2nd generation dampeners, only for 1st generation dampener.

