

Mitchell Vibration Isolator for Gimbals (VB-MTCL-00)

Instruction Manual

PROAIM
CINEMA SERIES

At Proaim, our goal is to ensure 100% Customer Satisfaction in all that we do.

We back our sales with a 1 year warranty from the date of purchase and work hard to resolve any problems in the unlikely event one should arise.

With our commitment to continuous improvement and your Feedback, building on our reputation of providing affordable, quality products is
PRIORITY #1.

■ Table of Contents

Subject	Page
Foreword	3
Introduction	4
Assembling	5-8
Warranty	9

■ Welcome To Proaim!

Dear Client,

On behalf of all the people that work so hard to provide you with the most up-to-date, flexible and cost-efficient production gear, we would like to welcome you into the Proaim family.

By purchasing your Proaim Mitchell Vibration Isolator Plate for Camera Gimbals, you have just joined a host of designers, engineers, machinists, assembly, customer service and office staff that take great pride in all that they do. Our mantra of continuous improvement has been the guiding principle of how we conduct our business since day one.

Once you have the opportunity to experience your new Mitchell Vibration Isolator for Camera Gimbals, we hope you will agree that we craft quality products at a competitive price. Products designed to meet and exceed the standards of today's real production world.

Standards set by our valued clients and standards we strive to maintain.

With Best Wishes,
Proaim Team

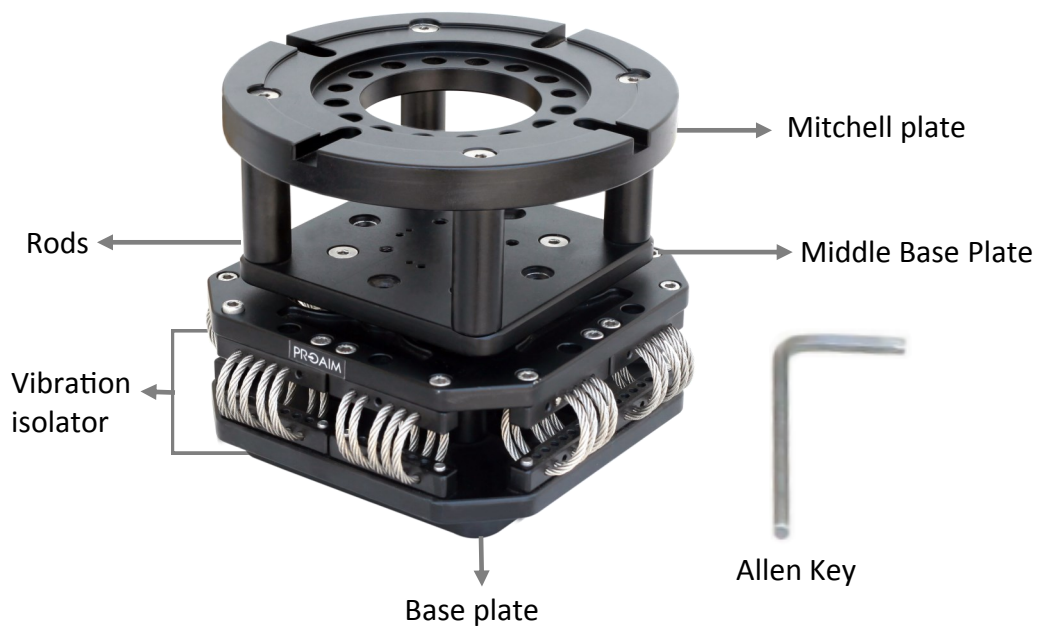
■ Introduction

Proaim Mitchell Anti-Vibration Wire Isolator is designed to handle large Remote Pan Tilt heads and Gimbal Systems like the DJI Ronin or MōVI. This unique Vibration Isolator helps remove vibration from camera gimbals and delivers smooth tracking movement mounted on any vehicle. This system is capable of levelling down outcome of vehicle moving on uneven road or rough terrains. The thickness of the wire cable is 5/16".

■ What's In The Box

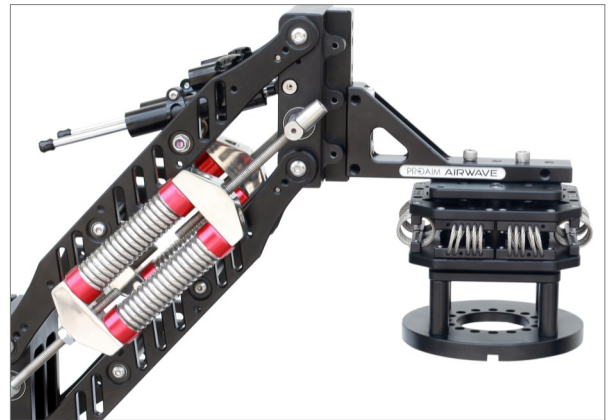
Please inspect the contents of your shipped package to ensure you have received all that is pictured and listed below.

- Proaim Mitchell Vibration Isolator for Camera Gimbals

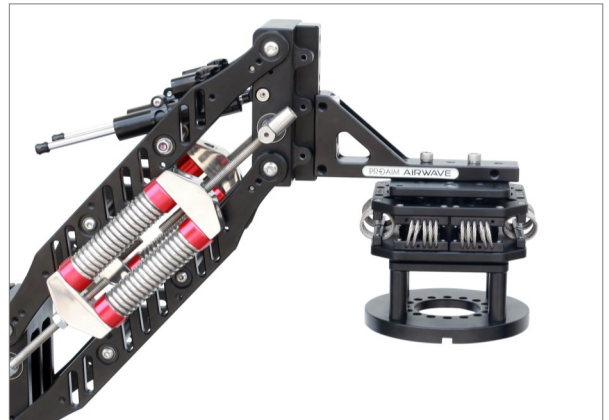


■ Assembling

- Attach Mitchell Vibration Isolator with the plate of your setup and tighten to secure it properly.



NOTE: The isolator plate can be fixed both Over Slung and Under Slung, as per your requirement.



- Then loosen the bolts of Mitchell plate and insert the Castle Ring into it. Connect any Gimbal Mount with Castle Ring as shown in the image.



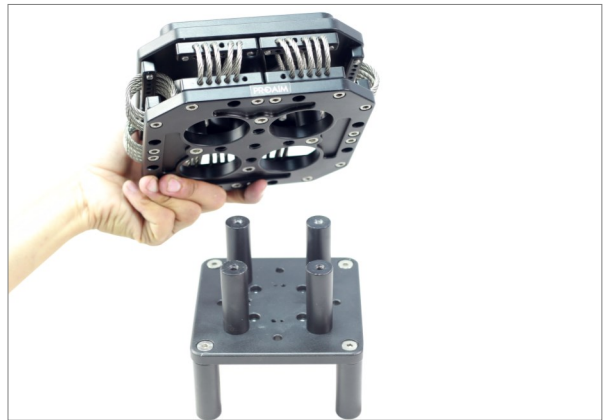
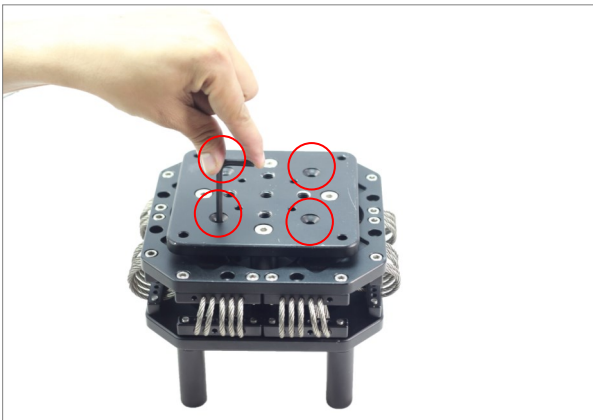
Assembling with Isolator Base Plate

NOTE: You can attach only Vibration Isolator Plate by removing the Mitchell Plate.

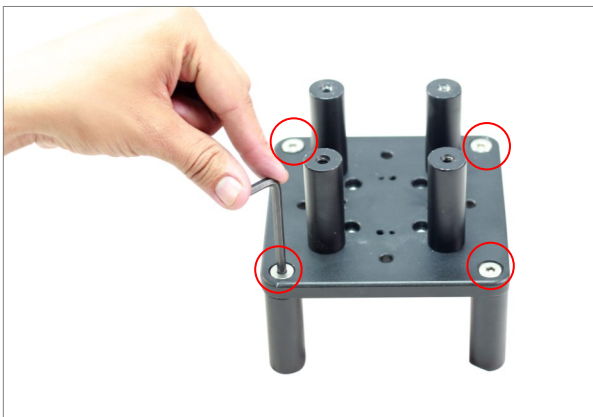
- Loosen bolts on Mitchell Plate with the help of allen key and remove the plate. Your equipment will look as shown in image.



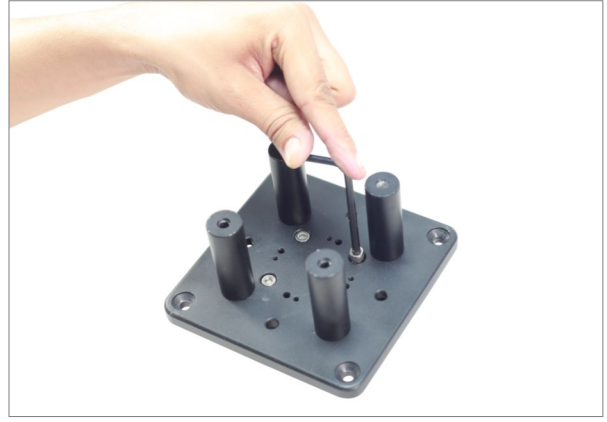
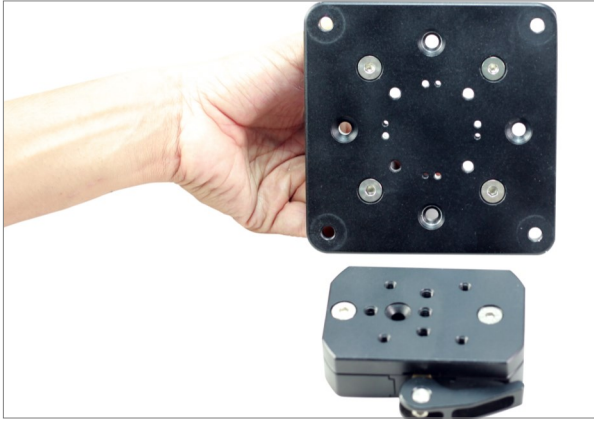
- Turn the Isolator upside-down & loosen the bolts to remove Isolator with Base Plate.



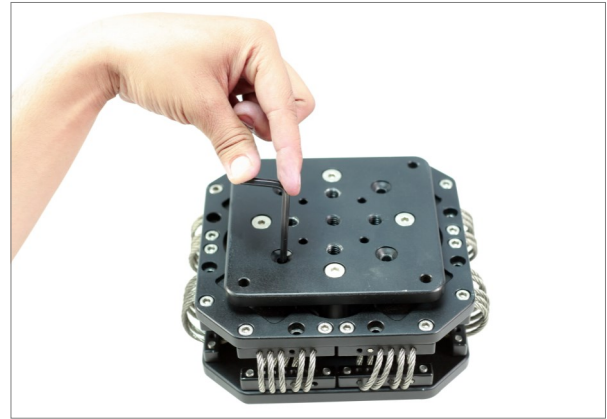
- Now loosen 4 corner bolts of Middle Base Plate and remove the Rods as shown in image.



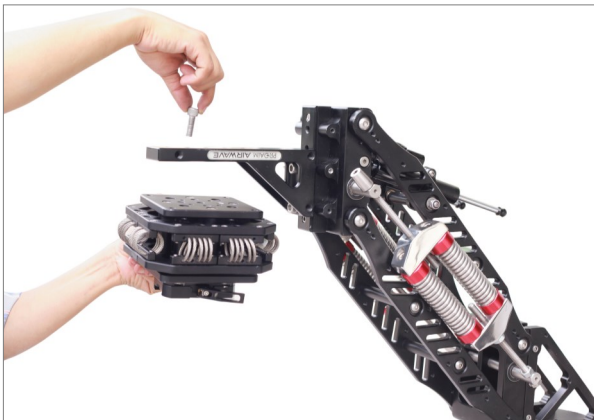
- Then attach Middle Base Plate with Ronin Plate (Not Included). Insert the bolts and tighten them with the help of allen key.



- Now attach this Middle Base Plate with Isolator Plate and tighten the bolts accurately with allen key, as shown in image.



- Finally, you can mount the Base Plate with L-plate of your Isolator Arm (Not Included) and mount your Gimbal.



Assembling with Single Spring Set

NOTE: *Vibration Isolator can also be customized with Single Spring configuration for using with lightweight setups from 15-30kg / 33-66lb.*

- Loosen the bolts from top and bottom of Vibration Isolator.



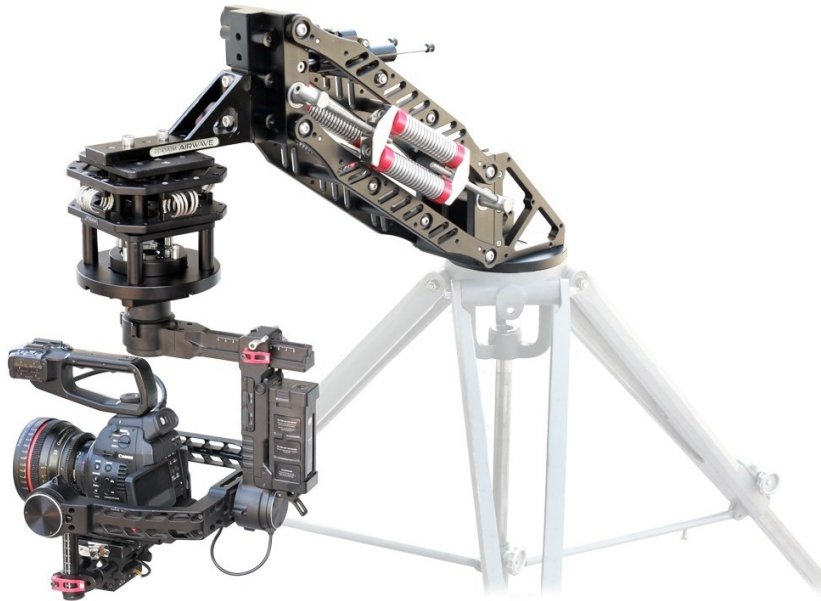
- Then remove the bolts and one wire set from Vibration Isolator plate.



- Now adjust the other wire set in center of the Vibration Isolator and tighten all the allen bolts to secure spring set appropriately.



YOUR PROAIM MITCHELL VIBRATION ISOLATOR FOR GIMBALS ALL DRESSED UP AND READY TO GO!



(SHOWN WITH OPTIONAL ACCESSORIES)

WARRANTY

We offer a one year warranty for our products from the date of purchase.

We will repair or replace your product, free of charge, in the event of a defect in materials or craftsmanship obtained during normal use or handling based on the user manual. Please note that we will not cover any shipping costs for returning the product to us. If any VAT or import duties are applied to the return, we will also charge these costs to the customer.

The warranty does not include, by the way of example, damage caused by products that we do not supply or from mishandling in transit, accident, misuse, neglect, lack of care of the product , or service by anyone other than our company.

We are not liable for incidental or consequential damages resulting from the use of the unit or occurring due to any breach of this warranty.

Replacement parts of the product will be provided at nominal cost (covering the cost price of the replacement parts only) to the customers after the Warranty Period has expired. We will cover the complete cost of sending replacement parts within the warranty period. After that, Nominal cost of the product & Actual shipping cost will be charged.

Do not send the unit to us without first getting a response and getting the approval to send back the item.

In case of any kind of dissatisfaction, we urge you to Contact us immediately and we shall do our Best to help you out. For any other assistance you can reach us via email.

For any other assistance you can reach us via email.