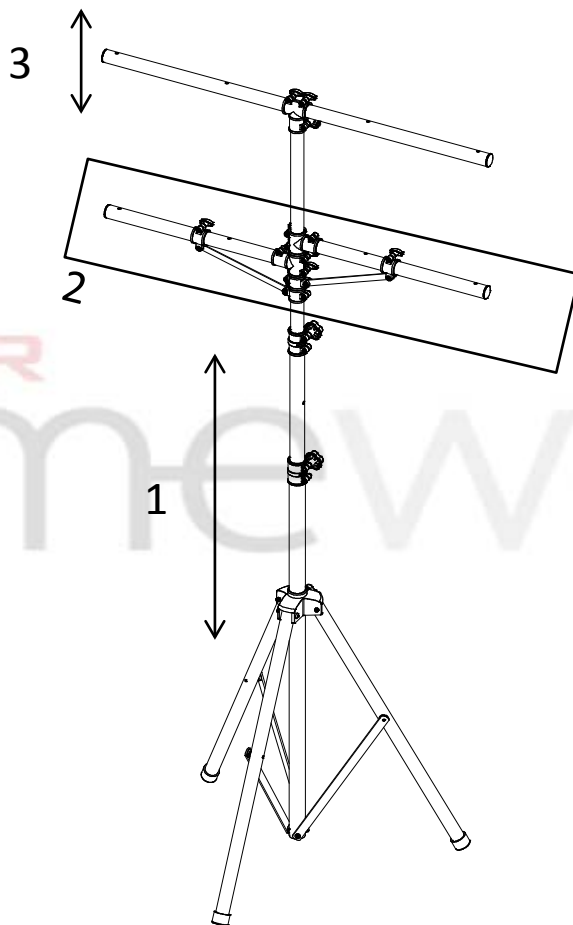


Assembly Instructions

1. Adjust vertical shaft and base to desired height.
2. Slide adjustable extension arms onto shaft and tighten into place.
3. Allow for at least 15" of space from top of truss to top of the shaft and then place the top bars on top and tighten.
4. Adjust height if necessary. Attach par style lights on top bars using the wing nuts supplied with the GFW-LIGHT-LS1.



Specifications:

English

Height Range: 4ft 8in-10ft 8in
 Base Diameter: 6 ft
 Weight Capacity: 132 lbs
 Weight: 13.2 lbs
 Arm Extension Length: 2 ft

Metric

Height Range: 1450-3250mm
 Base Diameter: 1800mm
 Weight Capacity: 60 kg
 Weight: 6 kg
 Arm Extension Length: 1220mm

GFW-LIGHT-LT1:

- **Lightweight Aluminum Lighting Stand**
- **10ft max height**
- **Can accommodate up to 8 lighting fixtures**
- **4ft top T-BAR arms**
- **Two 2ft extension arm**