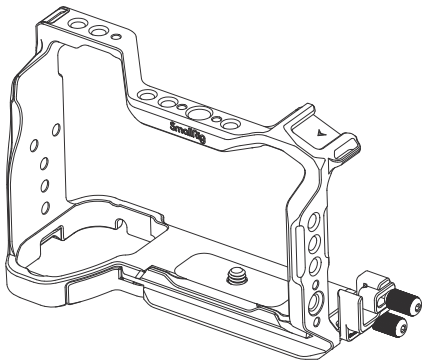


# SmallRig



## Cage Kit for Sony Alpha 6700

- User Manual -

In order to ensure user's safety and prevent the product damages caused by any improper use, please carefully read the "Warnings" below and properly keep this User Manual for future reference.

## Foreword

Thank you for purchasing SmallRig's product.

## Warnings

- Please read this User Manual carefully.
- Please keep the user manual properly, and be sure to attach this user manual when handing over the product to others.
- Please heed all warnings and follow all instructions in the owner's manual.

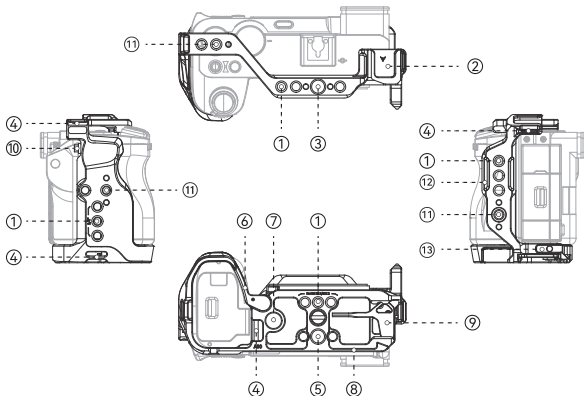
## Intended Use

- Please read this User Manual carefully, especially the "Warnings".
- Please use or store the product in the environment mentioned herein.
- It will be regarded as improper use when the users are not correctly following the user manual or using the product under the specific working condition.

## In the Box

Cage	× 1
HDMI Cable Clamp	× 1
User Manual	× 1

## Product Details



① 1/4"-20 Threaded Hole

② Cold Shoe Mount

③ ARRI 3/8"-16 Locating Hole

④ Wrist / Shoulder Strap Slot

⑤ 3/8"-16 Threaded Hole

⑥ Hinged Arm

⑦ QD Socket

⑧ Arca-Swiss Quick Release Plate

⑨ Dual-Head Wrench

⑩ M2.5 Screw

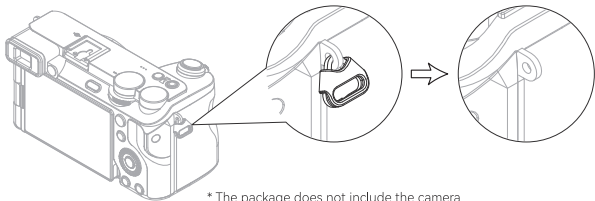
⑪ 1/4"-20 Locating Hole

⑫ NATO Rail

⑬ HDMI Cable Clamp Mounting Hole

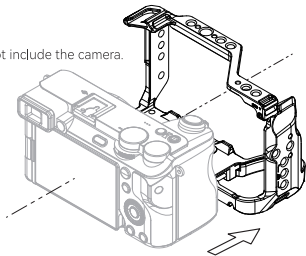
## Cage Installation Instruction

1. Remove the camera lens and the shoulder strap hooks on the right side.

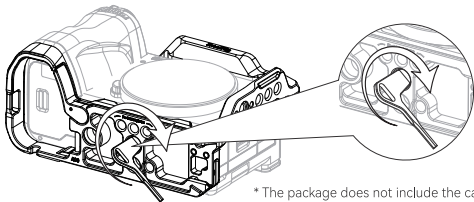


2. Install the camera into the cage from back to front.

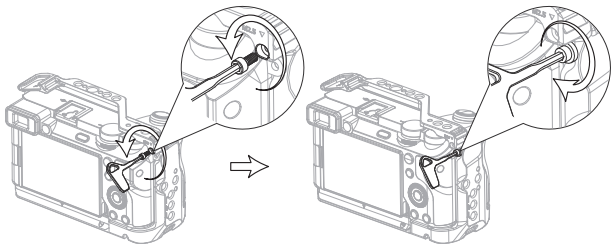
\* The package does not include the camera.



3. Use the Dual-Head Wrench to lock the bottom 1/4"-20 screw.

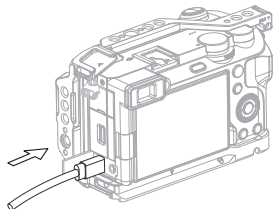


4. Use the Dual-Head Wrench to remove the M2.5 screw on the right side of the cage and lock it through the right shoulder strap hook hole to the cage.



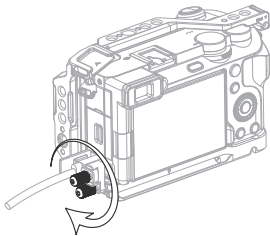
# HDMI Cable Clamp Installation Instruction

1. Open the camera HDMI cover and insert the HDMI cable.



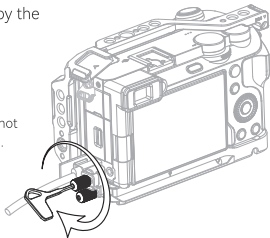
\* The package does not include the camera.

2. Attach the HDMI Cable Clamp to the left side of the cage with the thumbscrew and lock the cable in place.



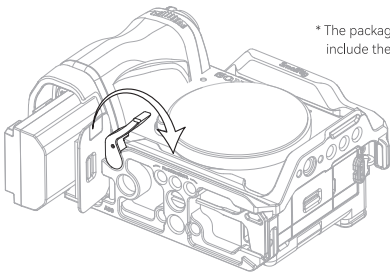
3. The HDMI Cable Clamp can be reinforced by the Dual-Head Wrench.

\* The package does not include the camera.



## Battery Replacement

The battery can be installed or replaced after opening the Hinged Arm.



\* The package does not include the camera.

## Compatibility

Sony Alpha 6700

## Specifications

Product Dimensions: 139.5 × 91.0 × 62.2mm

Product Weight: 152.0 ± 5.0g

Material(s): Aluminum Alloy, Stainless Steel