

AKASO

BRAVE 7 LE

ACTION CAMERA



USER MANUAL

V1.8

Contents

What's in the Box	02	>>
Your Brave 7 LE	03	>>
Getting Started	07	>>
Overview of Modes	08	>>
Customizing Your Brave 7 LE	09	>>
Connecting to the AKASO GO App	16	>>
Playing Back Your Content	17	>>
Deleting Your Content	17	>>
Offloading Your Content	18	>>
Maintaining Your Camera	19	>>
Maximizing Battery Life	19	>>
Battery Storage and Handling	19	>>
Remote Control	20	>>
Mounting Your Camera	23	>>
Contact Us	25	>>

What's in the Box



Brave 7 LE
x 1



Waterproof Case
x 1



Battery Charger
x 1



Battery
x 2



USB Cable
x 1



Remote Control
x 1



Remote Control
Strap x 1



Bandage
x 4



Helmet Mount 1
x 1



Helmet Mount 2
x 1



Buckle Mount
x 1



J-Hook Mount
x 1



A Mount
x 1



C Mount
x 1



D Mount
x 1



F Mount
x 1



E Mount
x 1



H Mount
x 1



Tether
x 5



Lens Cloth
x 1



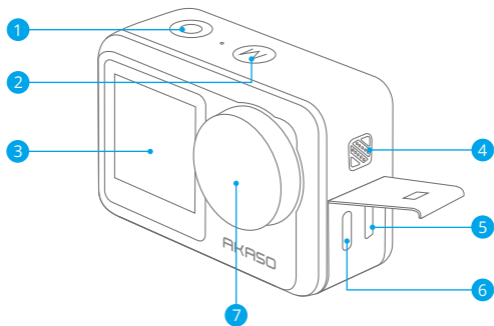
Double-Sided
Adhesive Tape x 2



Quick Start
Guide x 1



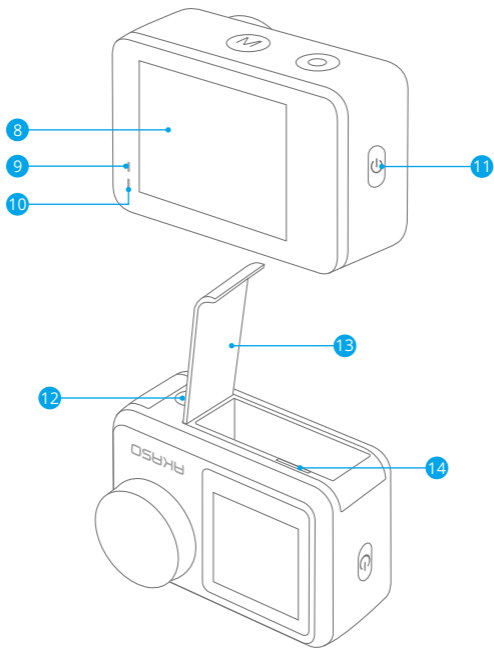
Your Brave 7 LE



- ① Shutter/OK Button
- ② Mode/Exit Button
- ③ Front Screen
- ④ Speaker

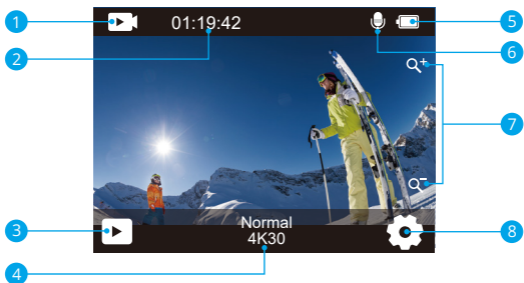
- ⑤ Micro HDMI Port
- ⑥ USB/External Mic Port
- ⑦ Lens





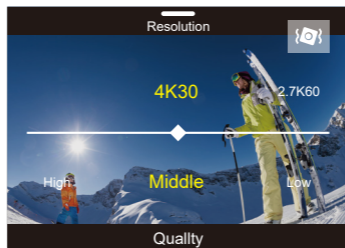
- ⑧ Touch Screen
- ⑨ Charging Indicator
- ⑩ Working Indicator
- ⑪ Power / Wifi Button
- ⑫ Tripod Hole
- ⑬ Battery Door
- ⑭ Memory Slot

Note: The camera does not record sounds when it is in the waterproof case.

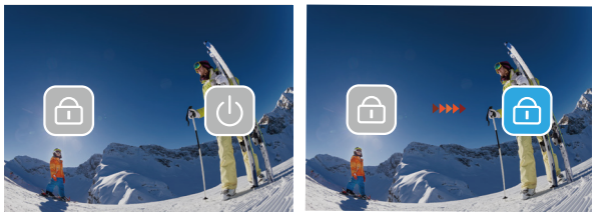


- | | |
|-----------------------------------|-------------------|
| 1 Mode | 5 Battery Status |
| 2 Recording Time/Photos Remaining | 6 Audio Recording |
| 3 Playback | 7 Zoom Level |
| 4 Current Shooting Mode | 8 Settings |

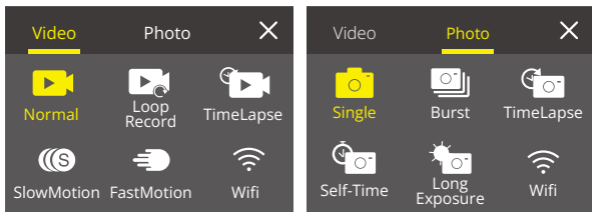
When the camera is turned on, swipe your finger from the bottom to the top of the screen to easily access the shortcut menu to adjust settings including resolution, quality, and image stabilization. Additionally, swipe your finger across the screen to scroll through the available options.



When the camera is on the preview screen, swipe down to access the shortcut menu. From there, you can quickly lock the screen and turn off the camera. By tapping the Lock icon, you can lock the screen in seconds. To unlock the screen, simply swipe right. Additionally, you can quickly turn off the camera by tapping the Power icon.



Tap the mode icon on the screen to access the mode menu screen. On this screen, tap the "Video" or "Photo" option to access the video or photo mode menu. You will be able to select the desired video or photo mode from the available options.



Switch Between Front Screen and Touch Screen

Press and hold the Mode button to switch between the front screen and the touchscreen camera. You can not switch between the screens when the camera is recording video.

Note: The above instructions are specific to the touchscreen and will not apply to the front screen.

Getting Started

Welcome to your AKASO Brave 7 LE. To capture videos and photos, you need a memory card to start recording (sold separately).

Memory Cards

Please use brand name memory cards that meet these requirements:

- U3
- Capacity up to 64GB

Note:

1. Please format the memory card first in this camera before using. To keep your memory card in good condition, reformat it on a regular basis. Reformatting erases all your content, so please make sure to offload your photos and videos before reformatting.
2. FAT32 format memory card stops recording when the file size reaches to 4GB, and starts to record again on a new file.

Powering on and off

To power on:

Press and hold the Power button for 3 seconds. The camera beeps and the status light turns on. When information appears on the display, your camera is on.

To power off:

Press and hold the Power button for 3 seconds. The camera beeps and the status light goes out.

Switching shooting modes

When the camera is turned on, tap the mode icon at the bottom of the screen to enter the mode menu. From there, you can tap the "Video" or "Photo" option to access the video or photo mode menu. You will be able to select the desired video or photo mode from the available options. To exit the mode menu, tap the "X" icon in the upper right corner.

Turning on and off Wifi

When the camera is turned on, press the Power button or tap the Wifi icon on the mode menu to turn on Wifi. To turn off Wifi, simply press the Power button again.



Overview of Modes

There are 6 modes of this camera: Video, Photo, Playback, System Setup, Video Setup, and Photo Setup.

Video Mode

Video Mode is the default mode when you turn on the camera. When the camera is in Video mode, press the shutter button to record video. To stop recording video, simply press the shutter button again. You can tap the Zoom icon on the screen to adjust the zoom level.

Photo Mode

When the camera is turned on, press the mode button or swipe your finger across the screen to switch to Photo Mode. In Photo Mode, press the shutter button to take a photo. You can tap the Zoom icon on the screen to adjust the zoom level.

Playback Mode

When the camera is turned on, tap the Playback icon in the bottom left corner of the screen to enter the playback mode. You can also press the Mode button twice, then press the shutter button to enter this mode. On the playback screen, you can select the file you would like to watch for playback.

System Setup Mode

To enter the System Setup mode, first enter the camera's settings screen by pressing the Mode button or tapping the Settings icon in the bottom right corner of the screen. Second, tap the Setup icon on the settings screen. On the system setup screen, you're free to configure the system settings.

Video Setup Mode

To enter the Video Setup mode, you can press the Mode button 3 times or tap the Video Setup icon on the settings screen. On the video setup screen, you're free to configure the video settings.

Photo Setup Mode

To enter the Photo Setup mode, you can press the Mode button 4 times or tap the Photo Setup icon on the settings screen. On the photo setup screen, you're free to configure the photo settings.



Customizing Your Brave 7 LE

Video Shortcut Menu

1. Normal Video

Default setting is Normal Video.

2. Loop Record: 1 Min/3 Min/5 Min

Default setting is 1 Min.

To enter the Photo Setup mode, you can press the Mode button 4 times or tap the Photo Setup icon on the settings screen. On the photo setup screen, you're free to configure the photo settings.

3. Time Lapse

1 Sec/3 Sec/5 Sec/10 Sec/30 Sec/1 Min

Default setting is 1 Sec.

In Time Lapse Video mode, when you press the Shutter button, the camera will capture a series of video frames at the set interval to condense long events into shorter videos.

Note: Time Lapse Video is captured without audio.

4. Time Lapse Duration

Unlimited/5 Min/10 Min/15 Min/20 Min/30 Min/60 Min

Default setting is Unlimited.

This option lets you set the duration of the video captured in Time Lapse Videomode.

5. Slow Motion

In this mode, the camera will record videos at the set resolution. The video footage will appear to be in slow motion when played back.

6. Fast Motion: 2x/4x/6x/10x/15x

Default setting is 2x.

This setting allows you to select the speed at which the video is sped up in Fast Motion mode. The camera will capture steady and smooth fast-motion videos that appear to be moving faster than in real-time, making it ideal for use in fast-moving scenes.



Photo Shortcut Menu

1. Single Photo

Default setting is Single Photo.

2. Burst Photo: 3 shots/7 shots/15 shots/30 shots

Default setting is 3 shots.

In this mode, when you press the Shutter button, the camera will continuously capture photos at the set shot per second. So it is perfect for capturing fast-moving activities.

3. Time Lapse

3 Sec/5 Sec/10 Sec/30 Sec/1 Min

Default setting is 3 Sec.

Time Lapse Photo captures a series of photos at specified intervals. Use this mode to capture photos of any activity, then choose the best ones later.

4. Time Lapse Duration

Unlimited/5 Min/10 Min/15 Min/20 Min/30 Min/60 Min

Default setting is Unlimited.

This option lets you set the duration of the photo captured in Time Lapse Photo mode.

5. Self-Time: Delay 2s/Delay 5s/Delay 10s

Default setting is Delay 2s.

Self-Time Mode gives a delay between pressing the shutter release and the shutter's firing.

6. Long Exposure: 1 Sec/2 Sec/5 Sec/8 Sec/30 Sec/60 Sec

Default setting is 1 Sec.

This option helps you set the exposure time in Long exposure mode. The camera will take photos until the set time comes to the end.

Video Setup

1. Video Resolution: 4K30fps/2.7K60fps/2.7K30fps/1080P120fps/1080P60fps/ 1080P30fps/720P240fps/720P120fps/720P60fps

Default setting is 4K30FPS.

Note: Capturing video at a high resolution and frame rate in warm ambient temperatures may cause your camera to consume more power and become hot.

2. Voice Record: Off/On

Default setting is On.

When Voice Record is disabled, the camera will record video without audio. You can choose to turn it on or off.

3. Image Stabilization: Off/On

Default setting is Off.

Electronic Image Stabilization (EIS2.0) can efficiently smooth out the lens shakes, resulting in smooth and clear videos. This feature is ideal for use in capturing scenes involving activities like riding, skating, and handheld use.

Note: Image stabilization is not available when the video resolution is set to 1080P120fps, 720P240fps, and 720P120fps.

4. Video Quality: High/Middle/Low

Default setting is Middle.

5. Wind Noise Reduction: Off/On

Default setting is Off.

This option can reduce noises generated during video recording, allowing for enhanced audio quality.

6. Auto Low Light: Off/On

Default setting is Off.

This option automatically adapts camera settings based on lighting conditions to deliver optimal performance in low-light situations. It eliminates the need for manual adjustments, even when transitioning between bright and dark environments..

Note: 1. Auto Low Light is not available for 30fps frame rates.

2. Auto Low Light will be disabled when Image Stabilization is enabled.

7. EV: -2.0/-1.0/0.0/+1.0/+2.0

Default setting is 0.

By default, your camera uses the entire image to determine the appropriate exposure

level. However, exposure lets you select an area that you want the camera to prioritize when determining exposure. This setting is particularly useful in shots where an important region might otherwise be over or underexposed.

8. Metering: Center/Multi

Default setting is Multi.

The metering mode refers to the way in which a camera determines exposure.

9. Date Stamp: Off/Date/Date&Time

Default setting is Date&Time.

A watermark will be added to the video based on your preferred settings. For example, if you choose the Date&Time option, the current date and time will be stamped on your video. You can choose to disable this setting by selecting the "Off" option.

Photo Setup

1. Photo Resolution: 20MP/16MP/14MP/10MP/8MP/5MP/2MP

Default setting is 20MP.

2. Image Quality: High/Middle/Low

Default setting is High.

3. ISO: Auto/100/200/400/800/1600/3200

Default setting is Auto.

ISO determines the camera's sensitivity to light, and creates a trade-off between brightness and resulting image noise. Image noise refers to the degree of graininess in the image. In low light, higher ISO values result in brighter images, but with greater image noise. Lower values result in lower image noise, but darker images.

4. EV: -2.0/-1.0/0.0/+1.0/+2.0

Default setting is 0.

By default, your camera uses the entire image to determine the appropriate exposure level. However, exposure lets you select an area that you want the camera to prioritize

when determining exposure. This setting is particularly useful in shots where an important region might otherwise be over- or underexposed.

5. Metering: Center/Multi

Default setting is Multi.

The metering mode refers to the way in which a camera determines exposure.

6. Date Stamp: Off/Date/Date&Time

Default setting is Date&Time.

A watermark will be added to the photo based on your preferred settings. For example, if you choose the Date&Time option, the current date and time will be stamped on your photo.

Camera Settings

1. Sounds: Shutter/Boot-up/Beep/Volume

You can turn on or off these sound effects and adjust the volume of the camera in this setting.

2. Angle: Super Wide/Wide/Medium/Narrow

Default setting is Super Wide.

The angle refers to how much of the scene (measured in degrees) can be captured through the camera lens. Super Wide angle captures the largest amount of the scene, while Narrow angle captures the least.

3. Diving Mode: Off/On

Default setting is Off.

Diving Mode can compensate for the lack of red light in underwater scenes. Diving Mode is designed to be used in tropical and blue water, optimized for use between 10 and 80 feet.

4. Effect: Normal/BW/Natural/Negative/Warm/Brightness Contrast

Default setting is Normal.

This setting offers multiple options for you to choose from. With different effects, you can capture the most gorgeous footage.

5. Distortion Calibration: Off/On

Default setting is Off.

This setting corrects the fisheye effect that can occur in wide-angle shots, resulting in distortion-free images.

6. Driving Mode: Off/On

Default setting is Off.

If you turn on Driving Mode and connect camera with car cigarette lighter, the camera will turn on automatically if you start your car and will turn off if you stop your car.

7. Upside Down: Off/On

Default setting is Off.

This setting determines the orientation of your video or photos to help you prevent upside down footage.

Note: The user interface will be upside down when Upside Down is enabled.

8. Screen Saver: Off/1 Min/3 Min/5 Min

Default setting is 1 Min.

Screen saver helps to turn off the display after a period of inactivity to save battery life. To turn on the display again, press any button or tap the screen on the camera.

9. Auto Power Off: Off/1 Min/3 Min/5 Min

Default setting is 3 Min.

Auto Power Off helps to power off camera after a period of inactivity to save battery life.

10. Power Frequency: 50Hz/60Hz

Default setting is 50Hz.

11. White Balance: Auto/Daylight/Shade/Tungsten Light/White Fluorescent

Default setting is Auto.

White Balance lets you adjust the color temperature of videos and photos to optimize for cool or warm lighting conditions.

12. Date&Time: MM/DD/YY**13. Language:** English/ Deutsch/ Français/ Italiano/Español/Português/日本語

Default setting is English.

14. Format Card: Yes/No

Default setting is No.

To keep your memory card in good condition, reformat it on a regular basis.

Reformatting erases all of your content, so be sure to offload your photos and videos first.

15. System: Factory Reset/System Info/Card Info

You can reset your camera or check the system information of your camera under this setting.

16. Factory Reset: Yes/No

Default setting is No.

This option resets all settings to their default values.

System Info: You can check the model and firmware version of your camera.

Card Info: You can check the card capacity and remaining space of your memory card.

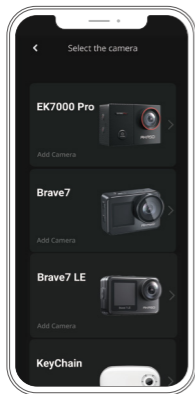
Note: Some functions cannot be used at the same time. Please refer to the information below.

Electronic image stabilization	Video resolution: 1080P120fps, 720P240fps, 720P120fps
Electronic image stabilization	Distortion correction, Auto Low Light
Slow Motion	Video resolution: 4K30fps, 2.7K30fps, 1080P30fps
Auto Low Light	Video resolution: 4K30fps, 2.7K30fps, 1080P30fps
Diving mode	Effect
White balance: Daylight, Shade, Tungsten Light, White Fluorescent	Effect

Connecting to the AKASO GO App

To connect your camera to the AKASO GO app, please download this app from the App Store or Google Play to your smartphone first. When your camera is connected to the AKASO GO app, you can control it to capture, or change the its settings using your phone. You can also live preview, playback, download, edit , and share videos via this app. Please follow the instructions below to connect your camera to the AKASO GO app.

1. Turn on the camera, then tap on the Wifi icon on the mode menu or press the Power button to turn on Wifi. The camera will enter Wifi mode and display the Wifi information.
2. Turn on your phone's Wifi to enter the Wifi settings page, find the Wifi SSID in the list and tap on it, then enter the password 1234567890 for connection.
3. Open the AKASO GO app, tap "Device" → "Add device", then choose "Brave 7 LE" from the list for connection..
4. Tick "**The above operation has been confirmed**", and click "**Live Preview**", your camera will connect with the **AKASO GO** app.



Playing Back Your Content

You can play back your contents on the camera, your computer, TV, or smartphone. To play back your videos and photos on a computer, you need to transfer these files first. Transferring files also frees up space on your memory for new contents. With this method, the playback resolution depends on the resolution of the device and its ability to play back that resolution.

Viewing Files on Your Brave 7 LE

1. Turn on your camera, then tap on the Playback icon in the bottom left corner of the screen to enter the playback screen.

Note: If your memory card contains a lot of content, it might take a minute for it to load. In Playback Mode, swipe your finger across the screen to scroll through video or photo files.

2. On the playback screen, tap on the video or photo icon to access the video or photo file.
3. Choose the video or photo file you want to view, then tap on the file. And it will then play.

Deleting Your Content

Deleting Files on Your Brave 7 LE

1. Enter Playback mode. If your memory card contains a lot of content, it might take a minute for it to load.
2. Swipe your finger across the screen to scroll through video or photo files.
3. Tap the Delete icon on the screen → select the files you want to delete → tap the delete icon again.
4. Confirm to delete the selected files or all files.
5. To exit the Playback mode, tap the Return icon or press the Mode button.

Deleting Files on AKASO GO App

1. Open the AKASO GO app, then connect it to your camera.



2. Tap on the Album icon in the bottom left corner to view all the videos and photos.
3. After selecting the video or photo file you want to delete, tap on the Delete icon in the bottom left corner, then confirm the deletion of the file. The chosen file will be deleted.

Offloading Your Content

Offloading Your Content to A Computer

You can transfer your content to a computer via a USB cable or a card reader (sold separately). To transfer files to your computer via a USB cable, connect your camera to the computer using the USB cable. When prompted, select "USB Storage" as your connection preference. To transfer files to the computer using a card reader, insert a memory card into the card reader, then connect the reader to your computer's USB port. After successful transmission, you can transfer the files to your computer or delete selected files using File Explorer.

Offloading Your Content to A Smartphone

1. Open the AKASO GO App, then connect it to your camera.
2. Tap on the Album icon in the bottom left corner to see the videos and photos.
3. Tap on the Select icon located in the upper right corner. Once you have selected your desired file, tap on the Download icon in the bottom right corner. Next, tap on the Download option, and wait for the download process to finish. The file will be successfully saved to your phone's photo album.

Note:

If you cannot download videos or photos to your iPhone via the app, please enter your phone's Settings page → Privacy → Photos, find "AKASO GO", and select "All photos".



Maintaining Your Camera

Please follow these guidelines to get the best performance from your camera:

1. For best audio performance, shake the camera or blow on the mic to remove debris from the microphone holes.
2. To clean the lens, wipe it with a soft, lint-free cloth. Do not insert foreign objects around the lens.
3. Don't touch the lens with fingers.
4. Keep the camera away from drops and bumps, which may cause damage to the parts inside.
5. Keep the camera away from high temperature and strong sunshine to avoid being damaged.

Maximizing Battery Life

If the battery reaches 0% while recording, the camera will save the file and power off.

To maximize battery life, follow these guidelines when possible:

- Turn off Wireless Connections
- Capture video at lower frame rates and resolutions
- Use Screen Saver setting.

Battery Storage and Handling

The camera contains sensitive components, including the battery. Avoid exposing your camera to very cold or hot temperatures. Low or high temperature conditions may temporarily shorten the battery life or cause the camera to temporarily stop working properly. Avoid dramatic changes in temperature or humidity when using the camera, as condensation may form on or within the camera.

- Do not dry the camera or battery with an external heat source such as a microwave oven or hair dryer. Damage to the camera or battery caused by contact with liquid inside the camera is not covered under the warranty.
- Do not store your battery with metal objects, such as coins, keys or necklaces. If the battery terminals come in contact with metal objects, this may cause a fire.



- Do not make any unauthorized alterations to the camera. Doing so may compromise safety, regulatory compliance, performance, and may void the warranty.

WARNING: Do not drop, disassemble, open, crush, bend, deform, puncture, shred, microwave, incinerate or paint the camera or battery. Do not insert foreign objects into the battery opening on the camera. Do not use the camera or the battery if it has been damaged - for example, if cracked, punctured or harmed by water. Disassembling or puncturing the battery can cause an explosion or fire.

Remote Control

When the camera is turned on, it will be automatically connected to the remote. You can control the camera to take photos or record videos using the remote.



Splashproof only, not waterproof

Video

To record video, first make sure the camera is in Video mode. To start recording, simply press the gray video button. The camera will emit one beep with the working indicator light flashing.

To stop recording, simply press the gray video button again.

The camera will emit one beep with the working indicator light turned off.

Photo

To capture a photo, first make sure the camera is in Photo mode, then press the photo button. The camera will emit a shutter sound indicating the completion of the shot.



Burst Photo

To capture burst photos, first verify the camera is in Burst Photo mode, then press the photo button. The camera will emit a shutter sound indicating the completion of the shot.

Time Lapse

To capture time lapse photos or videos, first verify the camera is in Time Lapse mode, then press the photo or video button. The camera will emit a shutter sound indicating the completion of the shot.

CR2032 Battery Replacement for Brave 7 LE Remote

1. Use a 1.8mm Phillips tip screwdriver to remove the 4 screws on the back cover of the remote, allowing you to open it.



2. Remove another 4 screws on PCB board.



3. Lift the PCB board and slide out the battery, as shown in the picture.

Note: Do NOT rotate the PCB board to avoid reversing the camera and video button functions.



4. Install the new battery, keeping the "+" pole facing up.

5. Install all 4 screws back onto the PCB board.

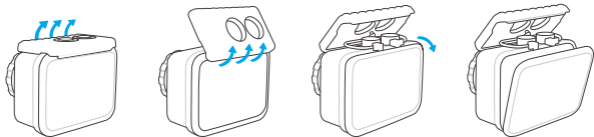


6. Install all 4 screws back into the cover.

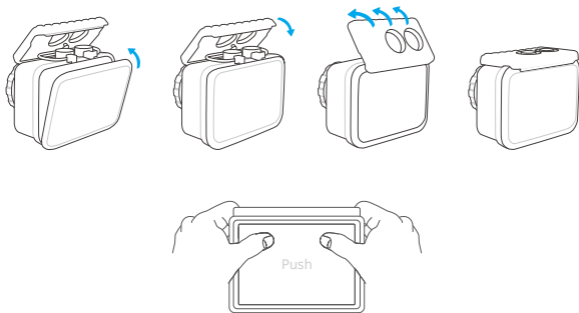
Mounting Your Camera

Attach your camera to helmets, gear and equipment.

Open



Close



Note: Push and make sure that there is no gap between the waterproof strips of the waterproof case.







Contact Us

For any inquiries about AKASO products, please feel free to contact us.
We will respond within 24 hours.

Tel: (888) 466-9222 (US)

Email: cs@akasotech.com

Web: www.akasotech.com

