

Please scan this QR code to visit the product page.

DUAL MONITOR MOUNT WITH LOW PROFILE GAS SPRING ARMS



HAVE QUESTIONS?

Monday - Friday from 8:00am - 4:00pm PST



support@mount-it.com



(855) 925-5668

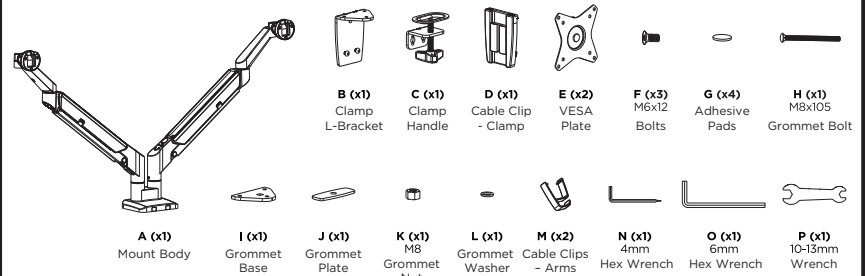


www.mount-it.com

Thank you for choosing Mount-It!

- EN** Read the entire instruction manual before you start installation and assembly. If you have any questions regarding any of the instructions or warnings, please contact Mount-It! for assistance.
- CAUTION:** Use with products heavier than the rated weights indicated may result in instability causing possible injury.
- Please closely follow the assembly instructions. Improper installation may result in damage or serious personal injury.
 - Safety gear and proper tools must be used. This product should only be installed by professionals.
 - This product is designed to be installed on solid concrete walls, masonry walls or wood stud walls.
 - Make sure that the supporting surface will safely support the combined weight of the equipment and all attached hardware and components.
 - Use the mounting screws provided and DO NOT OVER TIGHTEN mounting screws.
 - This product contains small items that could be a choking hazard if swallowed. Keep these items away from children.
 - This product is intended for indoor use only. Using this product outdoors could lead to product failure and personal injury.
- IMPORTANT:** Ensure that you have received all parts according to the component checklist prior to installation. If any parts are missing or faulty, contact Mount-It! for a replacement.
- MAINTENANCE:** Check that the product is secure and safe to use at regular intervals (at least every three months).
- DE** Lesen Sie die gesamte Bedienungsanleitung, bevor Sie mit der Installation und Montage beginnen. Wenn Sie Fragen zur Anleitung oder Warnungen haben, wenden Sie sich bitte an Ihren örtlichen Händler.
- VORSICHT:** Die Verwendung mit Produkten, die schwerer als die angegebenen Nenngewichte sind, kann zu Instabilität führen und zu möglichen Verletzungen führen.
- Bitte befolgen Sie die Montageanleitung genau. Eine unsachgemäße Installation kann zu Schäden oder schweren Verletzungen führen.
 - Sicherheitsausrüstung und geeignete Werkzeuge müssen verwendet werden. Dieses Produkt sollte nur von Fachleuten installiert werden.
 - Dieses Produkt ist auf massiven Betonwänden oder Mauerwerkswänden zu montieren.
 - Stellen Sie sicher, dass die Auflagefläche des Gesamtgewichts des Geräts und aller angeschlossenen Hardware und Komponenten sicher trägt.
 - Verwenden Sie die mitgelieferten Befestigungsschrauben und die Befestigungsschrauben NICHT ZU FEST ANZIEHEN.
 - Dieses Produkt enthält Kleinteile, die beim Verschlucken eine Erstickungsgefahr darstellen können. Halten Sie diese Gegenstände von Kindern fern.
 - Dieses Produkt ist nur für den Innenbereich bestimmt. Die Verwendung dieses Produkts im Freien kann zu Produktversagen und Verletzungen führen.
- WICHTIG:** Stellen Sie vor der Installation sicher, dass Sie alle Teile gemäß der Komponenten-Checkliste erhalten haben. Bei beschädigten oder fehlenden Teilen, wenden Sie sich an Ihre Verkaufsstelle, um Ersatz zu erhalten.
- WARTUNG:** Überprüfen Sie das Produkt in regelmäßigen Abständen auf Sicherheit und Stabilität (am besten alle drei Monate).
- FR** Lisez entièrement le guide d'utilisateur avant de commencer l'installation et le montage. Si vous avez des questions concernant les instructions ou les avertissements, veuillez contacter votre distributeur local pour une assistance.
- ATTENTION:** L'utilisation de produits plus lourds que les poids nominaux indiqués peut entraîner une instabilité causant des blessures potentielles.
- Les supports doivent être joints comme spécifié dans les instructions de montage. Une mauvaise installation peut entraîner des dommages ou de graves blessures aux personnes.
 - Un équipement de sécurité et les outils appropriés doivent être utilisés. Ce produit devrait être installé uniquement par des professionnels.
 - Ce produit est conçu pour être installé sur des murs avec poteaux en bois, des murs en béton massif ou murs en brique.
 - Assurez-vous que la surface de soutien supporte en sécurité le poids combiné de l'équipement et de tous les matériaux et composants associés.
 - Utilisez les vis de montage fournies et NE SERREZ PAS TROP les vis de montage.
 - Ce produit contient de petites pièces qui peuvent causer un étouffement si elles sont avalées. Éloignez ces pièces des enfants.
 - Ce produit est prévu uniquement pour une utilisation à l'intérieur. L'utilisation de ce produit à l'extérieur peut entraîner une défaillance du produit ou des blessures aux personnes.
- IMPORTANT:** Avant l'installation, assurez-vous que vous avez reçu toutes les pièces selon la liste de vérification des composants. Si une pièce est manquante ou endommagée, téléphonez à votre distributeur local pour qu'il la remplace.
- MAINTENANCE:** A intervalles réguliers (au moins tous les trois mois) vérifiez que le support est d'utilisation sûre et fiable.
- RU** Перед началом установки и сборки прочитайте руководство по установке. Если у Вас возникли какие-либо вопросы относительно инструкции или предупреждений, свяжитесь с Вашим местным распространителем для получения помощи.
- Внимание:** Использование продукта, вес которого превышает указанный расчетный вес, может привести к неустойчивости и возможным травмам.
- Оперы должны быть установлены точно, как это показано в монтажных инструкциях. Неправильная установка может привести к получению серьезных травм.
 - Необходимо использовать предохранительное устройство и специальные инструменты. Продукт должен устанавливаться только профессионалами.
 - Продукт предназначен для установки на деревянные каркасные стены, твердые цементные стены или кирпичные стены.
 - Убедитесь, что несущая поверхность выдержит вес всего установленного оборудования и комплектующих.
 - Необходимо использовать монтажные винты, входящие в комплект поставки, и НЕ ПЕРЕТЯГИВАТЬ монтажные винты.
 - Данный продукт содержит маленькие детали, которые представляют опасность удушья при проглатывании. Такие детали необходимо хранить в недоступном для детей месте.
 - Данный продукт предназначен только для эксплуатации в помещении. Использование данного продукта на улице может привести к поломке продукта и получению травм.
- ВАЖНО:** Перед установкой убедитесь, что Вы получили все детали в соответствии со списком комплектующих. Если не хватает каких-либо деталей или они поломаны, свяжитесь с Вашим местным распространителем по вопросу замены.
- ТЕХНИЧЕСКОЕ ОБСЛУЖИВАНИЕ:** Необходимо регулярно проверять (как минимум, раз в три месяца), чтобы критерий был зафиксирован, и его использование было безопасным.
- ES** Lea todo el manual de instrucciones antes de comenzar la instalación y ensamble de la unidad. Si tiene alguna inquietud con respecto a las instrucciones o advertencias, comuníquese con su distribuidor local.
- PRECAUCIÓN:** utilizar con productos de mayor peso al indicado en los límites de peso podría ocasionar inestabilidad y posibles heridas personales.
- Los soportes deben acoplarse tal como se indica en las instrucciones de ensamble. Una incorrecta instalación podría ocasionar daños y serias heridas personales.
 - Utilice las herramientas y equipo de seguridad adecuados. Este producto solo debe ser instalado por profesionales.
 - Este producto está diseñado para instalaciones en paredes de madera sólida, concreto sólido o bloques.
 - Asegúrese de que la superficie de fijación sostenga de manera segura el peso total del equipo y todos sus componentes y hardware.
 - Utilice los tornillos de ensamble suministrados y NO aplique demasiada tensión a los tornillos.
 - Este producto contiene piezas pequeñas que representan un riesgo de asfixia. Mantenga estas piezas fuera del alcance de los niños.
 - Este producto está diseñado para uso en interiores solamente. Utilizar este producto en exteriores podría ocasionar fallas y heridas personales.
- IMPORTANTE:** Asegúrese de que haya recibido todas las piezas según la lista de verificación de componentes para la instalación. Si falta alguna de las partes, o está dañada, comuníquese con su distribuidor.
- MANUTENIMIENTO:** Compruebe periódicamente que el soporte esté asegurado y listo para usar (al menos cada tres meses).
- PT** Leia todo o manual de instruções antes de iniciar a instalação e montagem. Se você tiver alguma dúvida sobre quaisquer uma das instruções ou avisos, por favor, entre em contato com o seu distribuidor local para assistência.
- ATENÇÃO:** O uso com produtos mais pesados do que os pesos indicados pode resultar em instabilidade, causando possíveis danos.
- Os suportes devem ser anexados como especificado nas instruções de montagem. A instalação incorreta pode causar danos ou sérias lesões pessoais.
 - Equipamentos de segurança e ferramentas adequadas devem ser utilizadas. Este produto só deve ser instalado por profissionais.
 - Este produto é projetado para ser instalado em pilares verticais de paredes de madeira, paredes de concreto sólido ou de tijolos.
 - Certifique-se que a superfície de suporte suportará com segurança o peso combinado do equipamento e todas as ferragens e componentes anexados.
 - Use os parafusos de montagem fornecidos e NÃO APERTE EXCESSIVAMENTE os mesmos.
 - Este produto contém pequenas peças que podem causar asfixia se ingeridas. Mantenha esses itens longe do alcance de crianças.
 - Este produto destina-se somente para uso interno. Usá-lo em ambiente externo pode causar falhas no produto e lesões pessoais.
- IMPORTANTE:** Assegure-se que você recebeu todas as peças, de acordo com a lista de componentes, antes da instalação. Se alguma peça estiver faltando ou é defeituosa, contate o seu distribuidor local para substituição.
- MANUTENÇÃO:** Certifique-se que o suporte seja seguro e protegido para o uso em intervalos regulares (pelo menos a cada três meses).

Mount and Accessories



Mounting Hardware x2

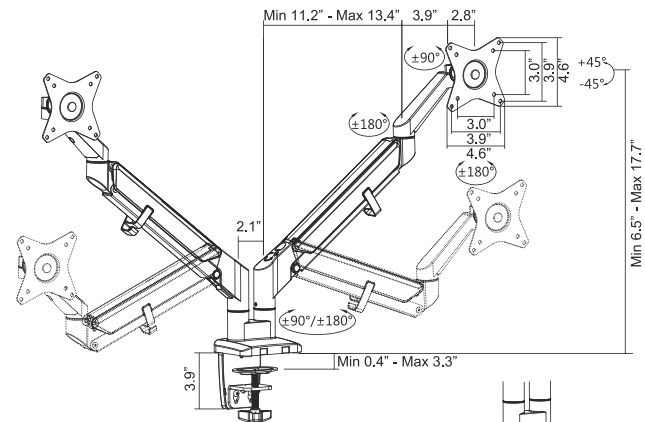


Check carefully to make sure there are no missing or defective parts. Some hardware provided may not be used. Use the correct mounting hardware suitable for your installation.

CHOKING HAZARD. Package includes small parts. Not for children under 3 years. Adult supervision is required.

Missing Parts? Call us at (855) 925-5668 and we will ship replacement parts free of charge.

DIMENSIONS & WEIGHT CAPACITY



Rated weight capacity is 19.8lbs for each arm.

Caution:

Ensure all mounting surfaces are capable of holding the weight of your mount.

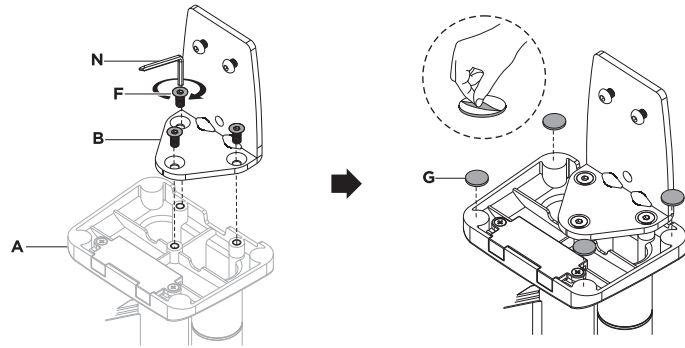
DO NOT EXCEED MAXIMUM LISTED WEIGHT CAPACITY. SERIOUS INJURY OR PROPERTY DAMAGE MAY OCCUR!



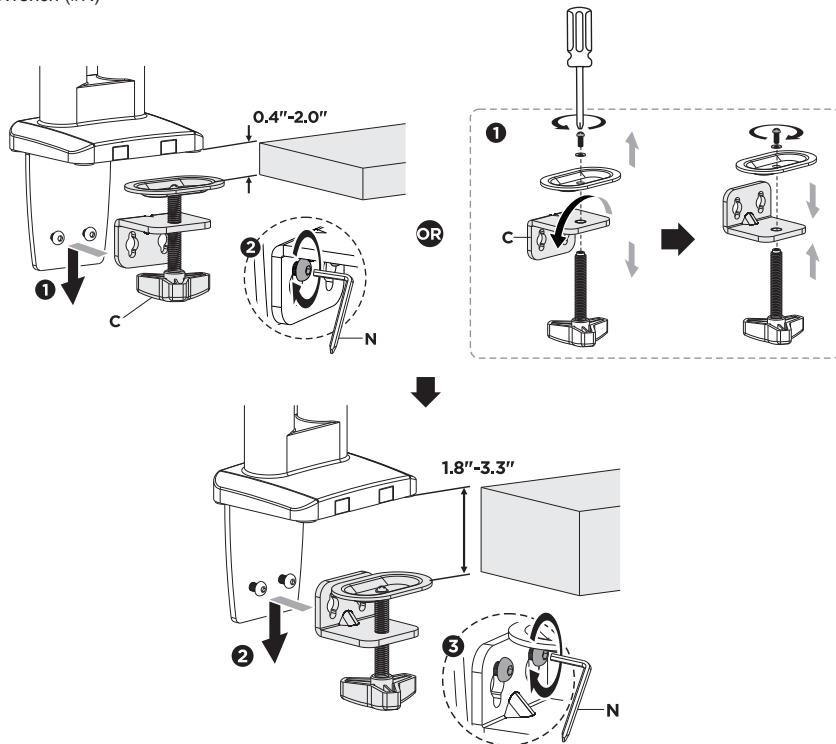
Step 1

Desk Clamp Assembly

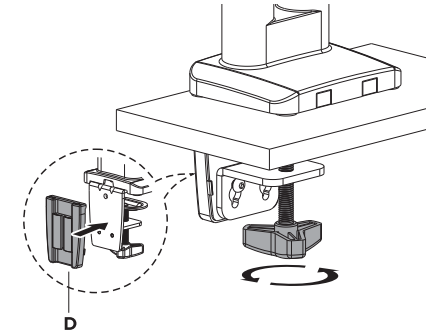
- Connect Clamp L-Bracket (#B) to the base of the spring arm using Bolts (#F) and tighten until secure with Hex Wrench (#N).
- Peel off the backing from Adhesive Pad (#G) and stick it onto the installed Clamp L-Bracket as shown.



- For desks with a thickness of 0.4"-2" attach the Clamp Handle (#C) in the original orientation as shown so that the short end of the bracket faces down alongside the handle.
- For desks with a thickness of 1.8"-3.3" remove the bolt on the end of the Clamp Handle (#C), detach the oval plate and washer, and remove the hand knob from the bracket. Flip the bracket over and reinstall the hand knob, plate, washer, and bolt. The short end of the bracket will now face away from the handle.
- Place the Clamp Handle (#C) over the 2 bolts on the L-Bracket and slide it down and away from the mount so that the bolts rest in the short end of the channel. Tighten the bolts down until secure using Hex Wrench (#N)

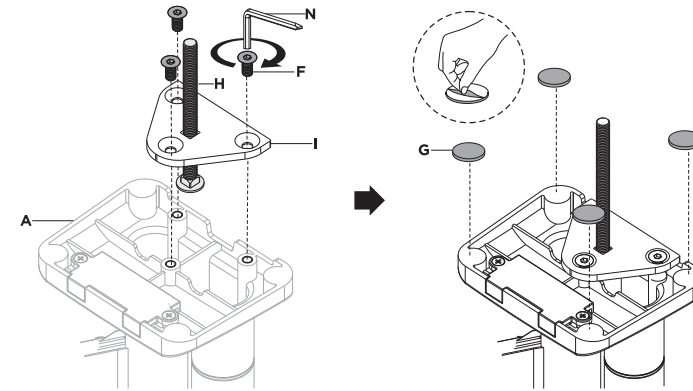


- Place the mount over the edge of the desk in the position desired and tighten the hand knob until the clamp is tight against the underside of the table. Then attach the large Cable Clip (#D) to the back of the L-Bracket as shown.

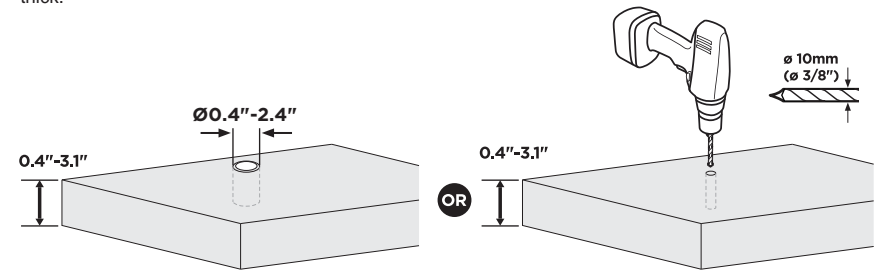


Grommet Mounting

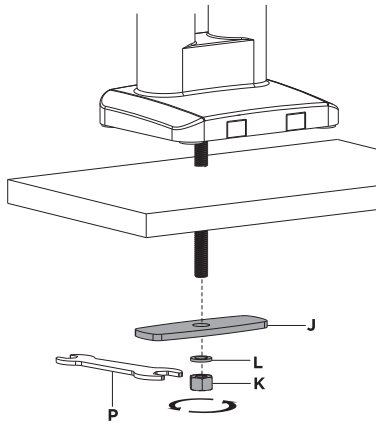
- To mount through a grommet hole, slide the Grommet Bolt (#H) through the Grommet Base (#I) in the orientation shown here so that the 3 bolt holes have the concave side facing up. Attach the Grommet Base (#I) to the bottom of the mount using Bolts (#F).
- Peel off the backing from Adhesive Pad (#G) and stick it onto the installed Clamp L-Bracket as shown.



- If your desktop has an existing grommet hole between 0.4"-2.4" in diameter, with a desk thickness of 0.4"-3.1" then it is ready for installation.
- If no grommet hole exists in the desktop or not in the required location, then one will need to be drilled. Use a 3/8" (10mm) drill bit to drill a hole through your desktop. The desktop must be between 0.4"-3.1" thick.



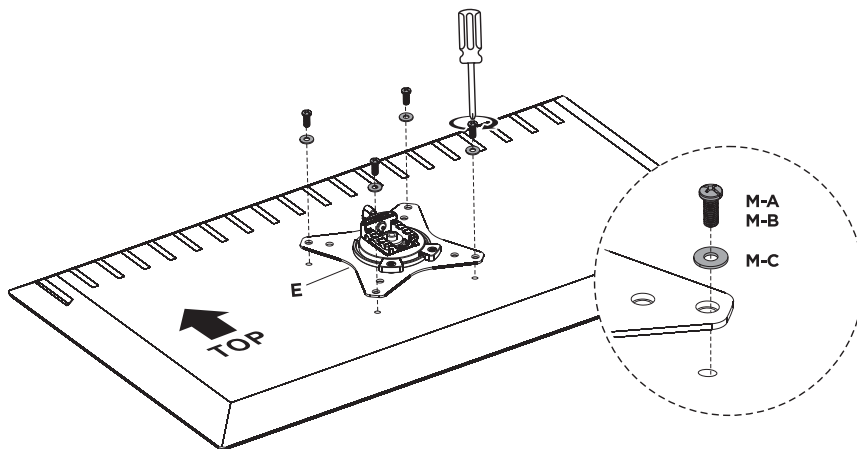
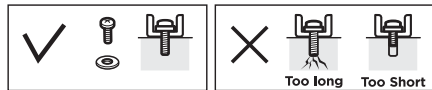
- Place the mount and grommet bolt through the grommet hole and from the underside of the desk, slide the Grommet Plate (#J) over the bolt, followed by the Grommet Washer, and finally secure it in place using the Grommet Nut (#K) and tighten it with the Wrench (#P) until secure.



Step 2

Attach the VESA Mounts to the Monitors

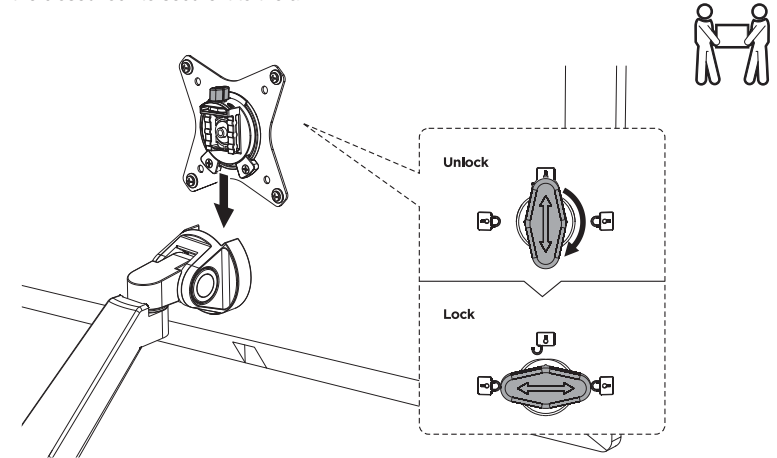
- Select the appropriate size mounting bolt (Select one size #M-A, or #M-B) and washer (#M-C) for your display's mounting holes and verify the length of the VESA bolt is not too long. If you are unsure of the correct bolt size for your display, refer to your display's user manual or contact the display's manufacturer for sizing information. Attach the VESA Plates (#E) using the selected bolts and tighten until secure. Do not over tighten.



Step 3

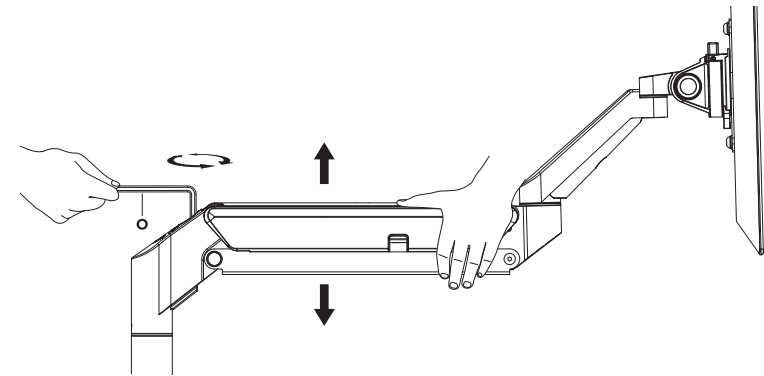
Attach the Monitors to the Arms

- Ensure the VESA Plates are in the unlocked position by turning the locking knob toward image of the open lock. Slide the VESA plates onto the ends of the monitor arms, then rotate the knob toward the image of the closed lock to secure it to the arm.



Step 4

Balancing the Spring Arm



To properly balance the arm with monitors mounted, adjust the spring tension using the supplied Allen Key as follows:

First, position and firmly hold the arm horizontally as shown. Ask for assistance should you require it.



If the arm **drops**, turn the adjustment screw counter-clockwise until it stays in a horizontal position.



If the arm **rises**, turn the adjustment screw clockwise until it stays in a horizontal position.



CAUTION: To avoid damage to monitor or mount, always keep the arm in a horizontal position while making adjustments. Again, ask for assistance if required.

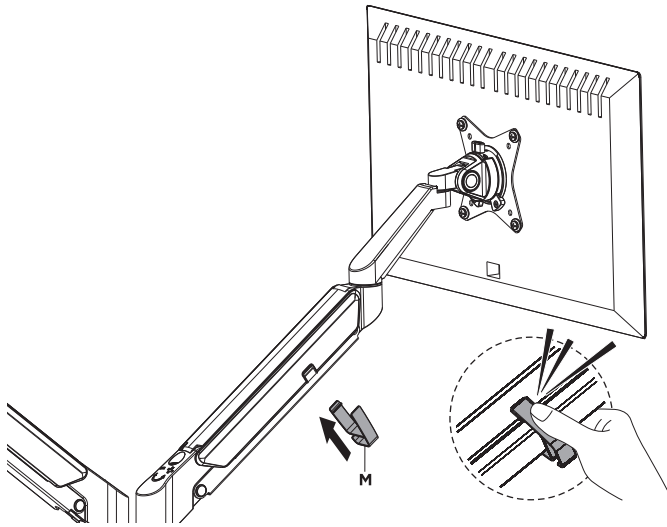


CAUTION: DO NOT over tighten the screws.

Step 5

Cable Management

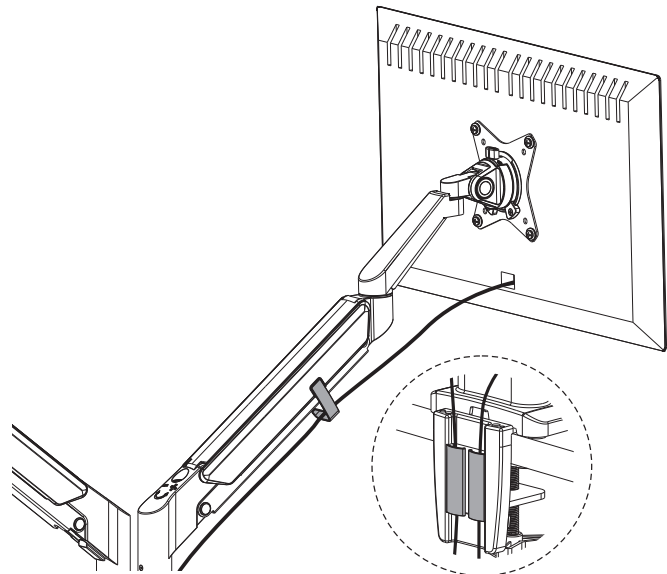
- Snap the Cable Clips (#M) into the notches on the arms, one per each arm.



Step 6

Route the Cables

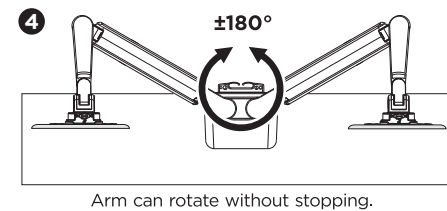
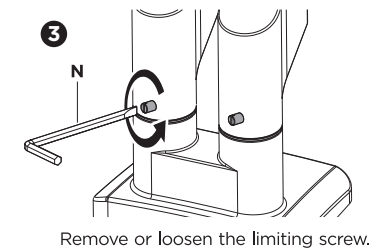
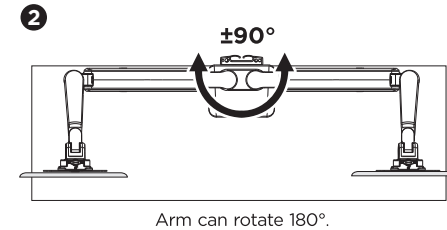
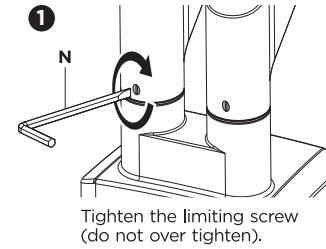
- Route the cables from the monitors through the clips on the arms, then through the clip on the back of the clamp base for a more organized desktop.



Step 7

Arm Range Adjustment

1. Tighten the limiting screw until it stops (do not overtighten) to lock the range of the arm base at 90°.
2. The arms will stop at 180° total so that the lower arm segments stop at the rear of the desk.
3. Loosen the limiting screw until the arms can freely rotate past 90°.
4. The arms will rotate without stopping so that the lower arm segments pass the rear of the desk.



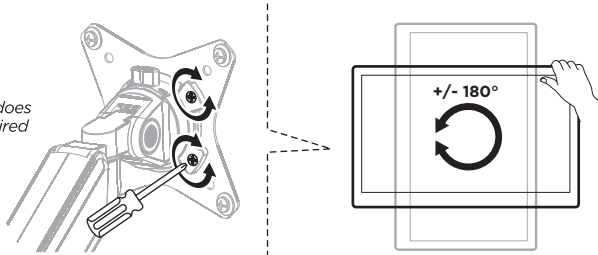
Step 8

Final Adjustments

1. The display can be rotated $\pm 180^\circ$ from landscape to portrait orientation. To reduce the range of motion or adjust the ease of motion, tighten the two screws indicated here.
2. The screen may be tilted $\pm 45^\circ$, if the screen tilts forward over time or does not hold its position tighten the bolt on the side of the joint indicated here.
3. The screen may be turned left and right $\pm 90^\circ$

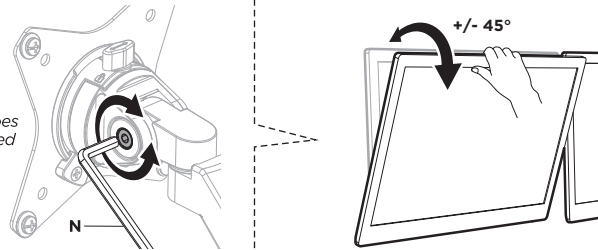
1

Note: If the display does not stop at your desired position, tighten the screws as shown.

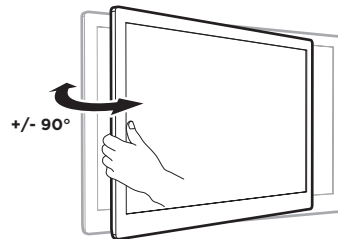


2

Note: If the display does not stop at your desired position, tighten the screws as shown.



3



Visit us at www.mount-it.com for product registration and warranty information.

Our US based customer service team is standing by to answer any questions you have about your Mount-It! product.

Available by phone **Monday - Friday from 8:00am to 4:00pm** PST.

Chat live with an agent on our website!



support@mount-it.com



(855) 925-5668



www.mount-it.com