

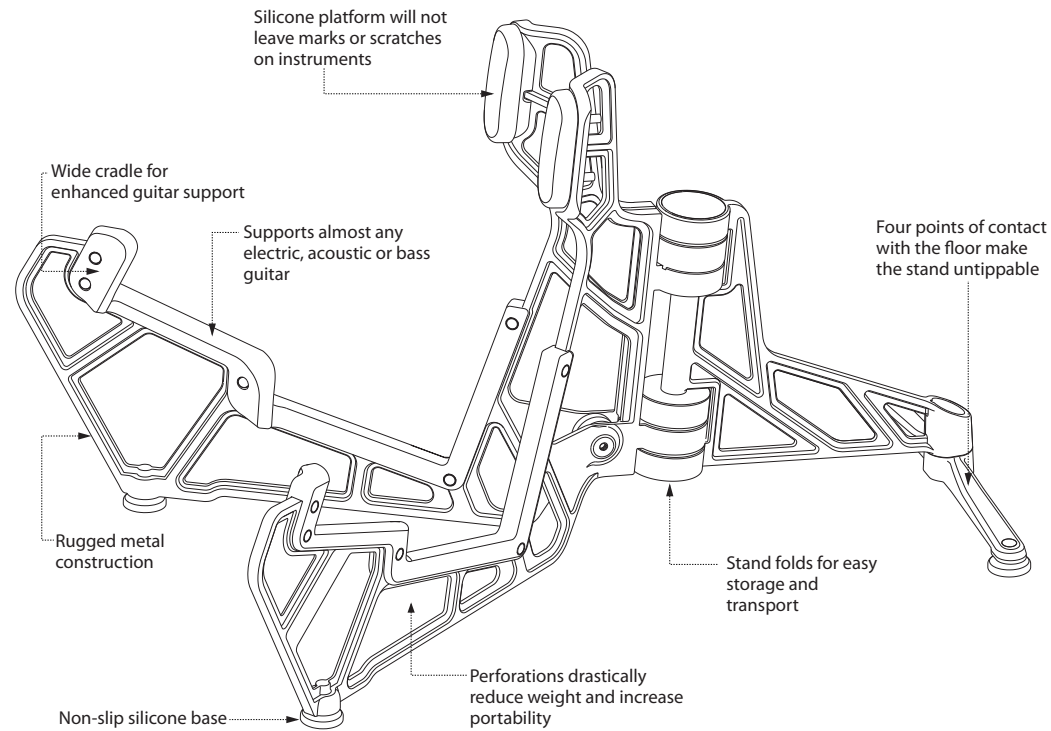


# G1 BUTTERFLY GUITAR STAND

Designed in Germany

The G1 Butterfly Guitar Stand was meticulously engineered to hold your guitar upright, safely and reliably, on-stage, in a studio or at home. When not in use, it folds into itself, compressing into a super-compact and ultra-light accessory for easy transport and storage.

Thanks to its sturdy aluminum frame and four points of contact with the floor, the G1 offers rock-solid support for virtually any type of electric, acoustic or bass guitar. Your instrument should be untipplable—and now it can be!



## TO SET UP THE STAND FROM ITS FOLDED STATE

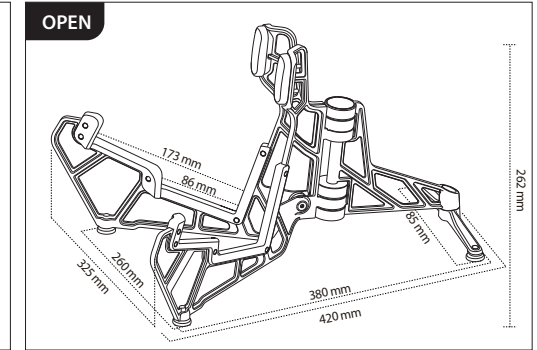
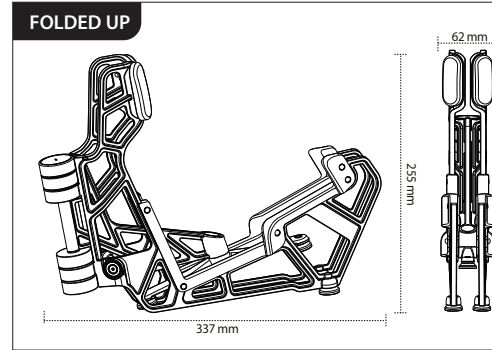
Swing the "wings" of the stand around to the front, until the magnets on each side click together in the middle of the stand. Then, turn the rear support piece (underneath the "tail" of the stand) clockwise 90 degrees to stabilize the back of the stand. You now have an ultra-stable four-legged stand to support and defend your guitar!

## TO PREPARE THE STAND FOR STORAGE OR TRANSPORT

When the "wings" of the G1 Butterfly Guitar Stand are opened and folded back, the stand becomes compact enough to store and carry in the back pocket of your guitar bag. To close the G1, first turn the rear support leg 90 degrees counter-clockwise so that it's in-line with the backside of the stand. Then, open the wings so that the magnet in the center clicks open, and fold the two wings back and around the "tail" of the stand.

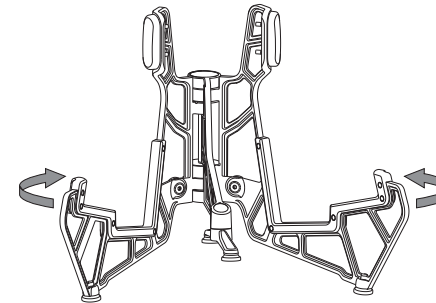
## SPECIFICATIONS

**Folded dimensions (W x D x H):**  
337 mm x 62 mm x 255 mm  
**Open dimensions (W x D x H):**  
420 mm x 325 mm x 262 mm  
**Weight:** 796 g  
**Material:** Aluminum alloy / Rubber

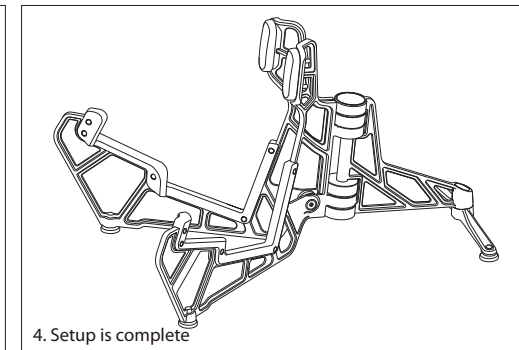
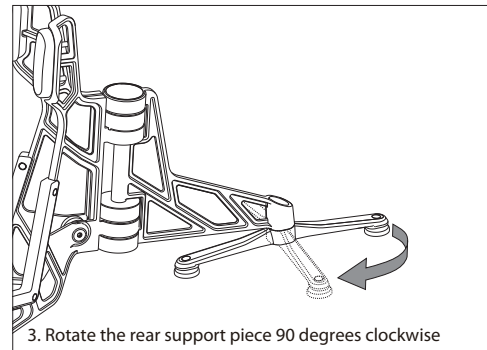
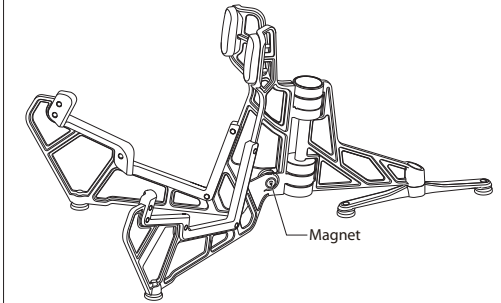


## HOW TO SET UP THE STAND

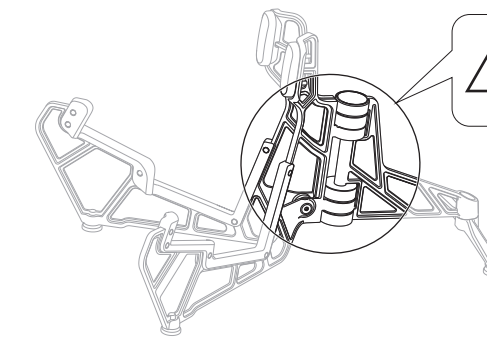
1. Open the "wings" of the stand from the back to the front



2. The magnet in the center holds the wings together



\* To collapse the stand for storage/transport, reverse the order of these instructions



**!** When opening or closing the G1, to avoid pinching your fingers, do not place your fingers near the rotating shaft (as shown in the graphic). Children should only operate and use the stand with the guidance of an adult.

**!** Rubber is safe for most but not all nitrocellulose lacquer finishes.

**SHENZHEN FZONE TECHNOLOGY CO., LTD.**  
2nd floor, Building 12, Xicheng Industrial Area, Xixiang Town,  
Baoan District, Shenzhen Guangdong China. 518101  
Made In China  
www.xvive.com