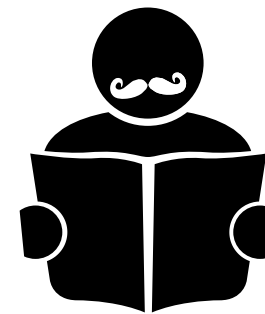


PRACTILITEⁱⁱⁱ
Bi-Color: 3000 - 6000K
Smart Remote **802**

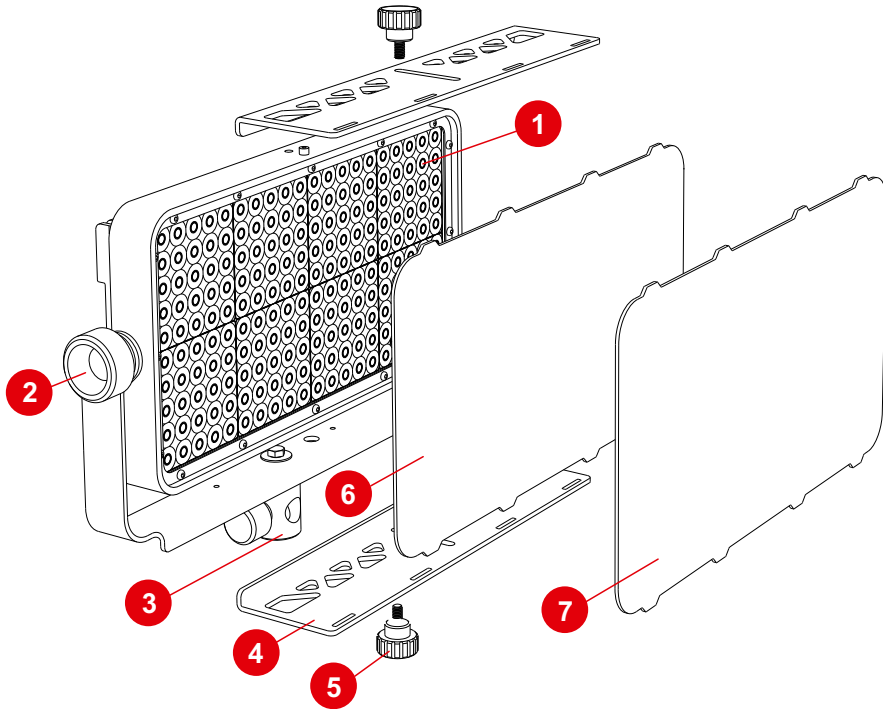


User Manual

For customer support, spares and repair services please contact us: support@kinotehnik.com
www.kinotehnik.com

Download the latest User Manual from www.kinotehnik.com/802_user_manual.pdf

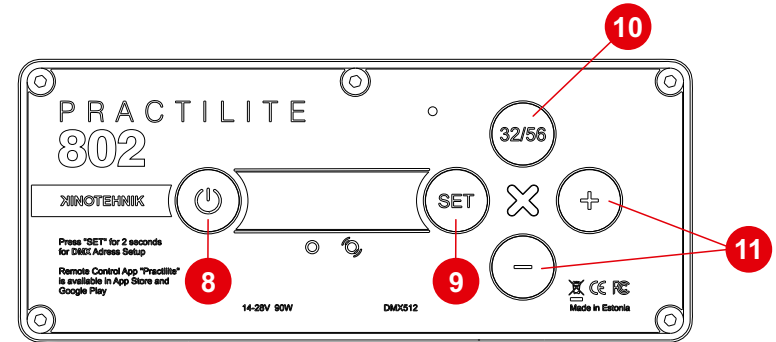
PRACTILITE[📶] 802



1. Bi-Color LED Power Panel with built in 30 degree lens
2. Tilt lock for adjusting and locking the tilt angle
3. Light stand receiver, accepts 5/8" (16mm) BabyPin/Spigot
4. Diffuser holder (2x) Attach and fix the bottom one first
5. M6 Thumbscrew (2x) For locking the diffuser holder
6. 60 degree **half** diffuser
7. 80 degree **full** diffuser

* IP 54 is a Grading usually marked on the Products that are to be used in Extreme Conditions (Outdoor). The IP rating of any Product specifies how resistant the device is to foreign objects and moisture. IP Stands for Ingress Protection

Bi-Color Power Panel



8. On/Off switch with safety delay
9. "Set" key for toggling between color temperature and output intensity mode
10. 3200/5600K preset for fast preset recall
11. "+/-" values of given mode

Status indicators

- Power ON (green), Standby (red)
- Not connected to remote host (red), connected (green), connected in standby mode (orange)
- Battery too low (red blinking).

Remote control App "Practilite" allows for controlling up to 6 fixtures wirelessly from a smartphone or a tablet.



The fixture runs on DC with the included universal (100-240 VAC) adapter. You can also run the fixture on 14-28 VDC batteries with an optional V-Lock or Gold Mount battery plate. DMX adapters and SmartSync cables are sold separately



This device complies with part 15 of the FCC Rules. Operation is subject to the following two conditions: (1) This device may not cause harmful interference, and (2) this device must accept any interference received, including interference that may cause undesired operation. The device is in accordance with 89/336 ECC-ENC Directive.