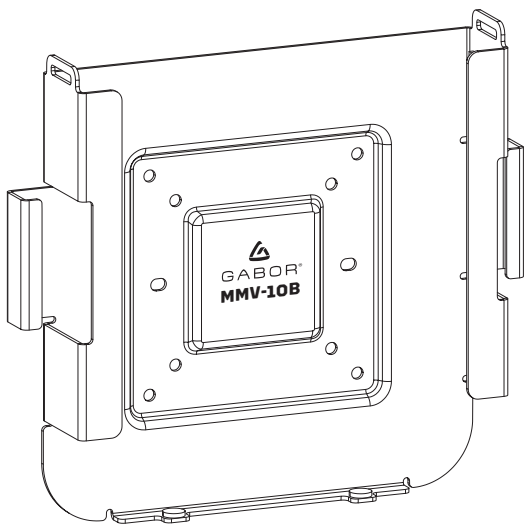




GABOR®

MMV-10B MAC MINI VESA/WALL MOUNT



User Manual

Thank you for choosing Gabor.

This Gabor Mac Mini VESA/Wall Mount allows you to mount your Mac Mini computer to a wall, under a desk, or on the rear of your computer monitor.

The mount offers anti-scratch padding, a security lock bar, and VESA mounting patterns from 75×75 to 100×100 mm.

Create more space on your desktop or hide the computer under the desk and out of sight. You can attach the mount to your computer monitor for an all-in-one system.

If you have safety concerns about installing this product, or if this product is missing hardware or there are defective parts, visit www.madebygabor.com or call Customer Service at 212-594-2353.

Specifications

VESA Mounting Patterns

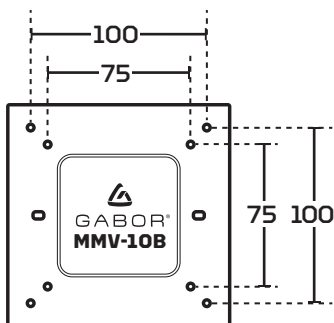
75 × 75 mm
100 × 100 mm

Material

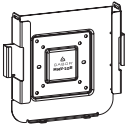

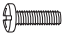



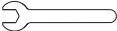

Steel

Weight

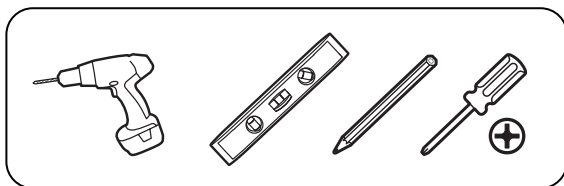
1.9 lb. (0.8 kg)



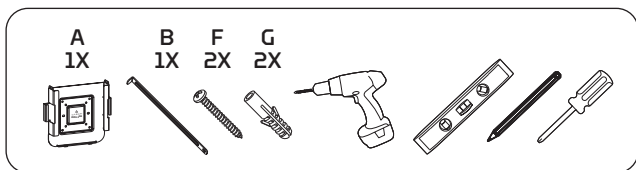
Parts Included

A  Mac Mini VESA / Wall Mount	1X	B  Locking Bar	1X
C  M4 x 12	4X	D  M4	4X
F  ST 4.2 x 30	2X	G  Ø6 x 30	2X
H  7 mm Wrench	1X	E  ST 4.2 x 16	2X

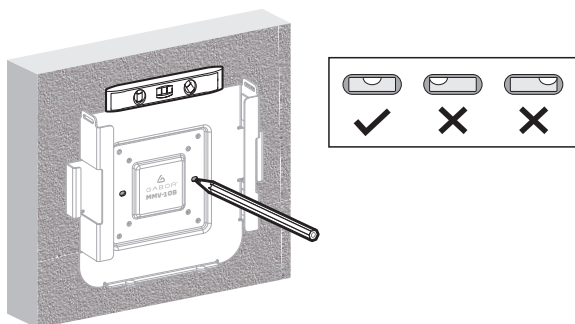
Required Tools



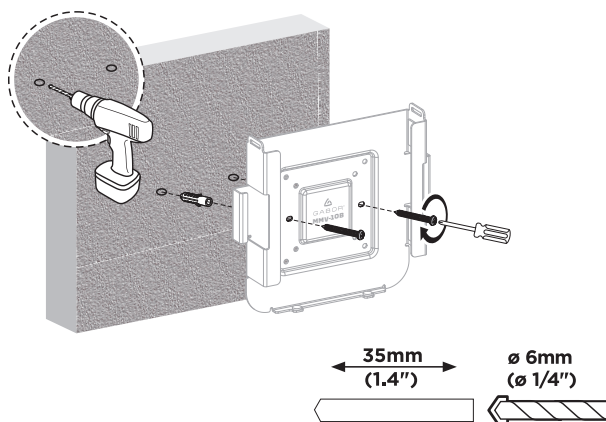
Mounting on a Wall



Step 1

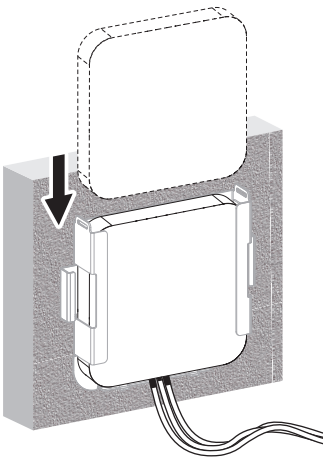


Step 2

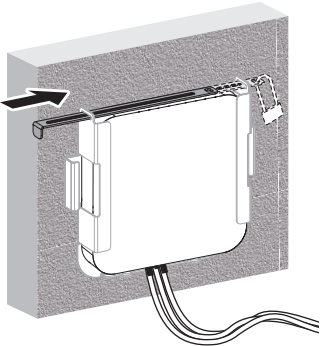


Mounting on a Wall (cont.)

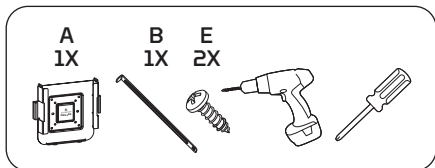
Step 3



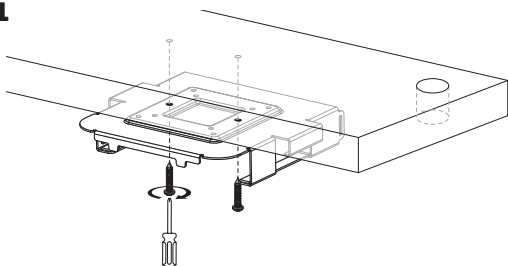
Step 4



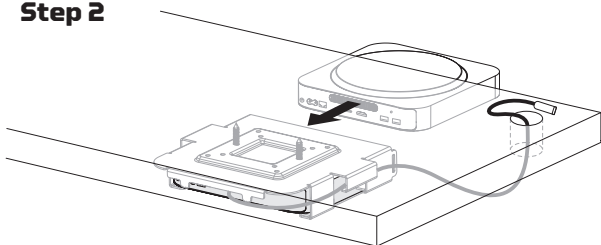
Mounting Under a Desk



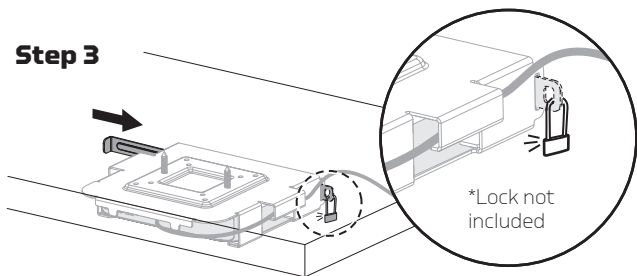
Step 1



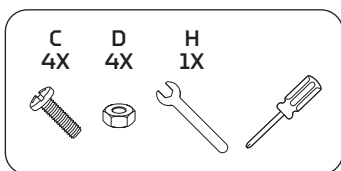
Step 2



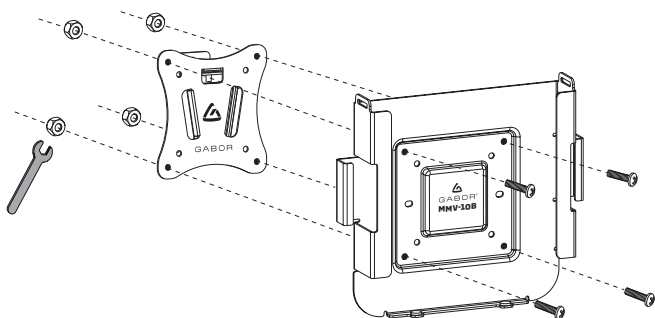
Step 3



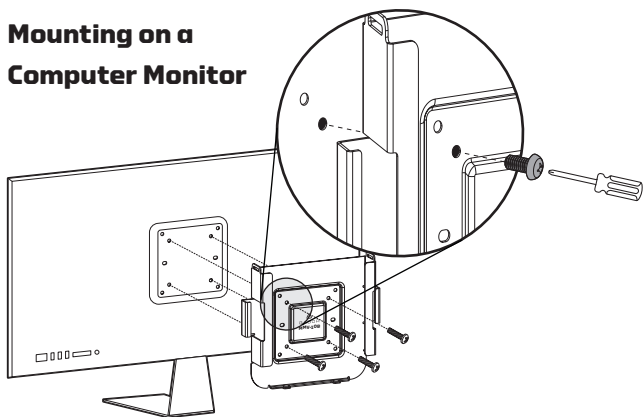
VESA Mounting



Using a VESA Plate



Mounting on a Computer Monitor



One-Year Limited Warranty

This Gabor product is warranted to the original purchaser to be free from defects in materials and workmanship under normal consumer use for a period of one (1) year from the original purchase date or thirty (30) days after replacement, whichever occurs later. The warranty provider's responsibility with respect to this limited warranty shall be limited solely to repair or replacement, at the provider's discretion, of any product that fails during normal use of this product in its intended manner and in its intended environment. Inoperability of the product or part(s) shall be determined by the warranty provider. If the product has been discontinued, the warranty provider reserves the right to replace it with a model of equivalent quality and function.

This warranty does not cover damage or defect caused by misuse, neglect, accident, alteration, abuse, improper installation or maintenance. EXCEPT AS PROVIDED HEREIN, THE WARRANTY PROVIDER MAKES NEITHER ANY EXPRESS WARRANTIES NOR ANY IMPLIED WARRANTIES, INCLUDING BUT NOT LIMITED TO ANY IMPLIED WARRANTY OF MERCHANTABILITY OR FITNESS FOR A PARTICULAR PURPOSE. This warranty provides you with specific legal rights, and you may also have additional rights that vary from state to state.

To obtain warranty coverage, contact the Gabor Customer Service Department to obtain a return merchandise authorization ("RMA") number, and return the defective product to Gabor along with the RMA number and proof of purchase. Shipment of the defective product is at the purchaser's own risk and expense.

For more information or to arrange service, visit www.madebygabor.com or call Customer Service at 212-594-2353.

Product warranty provided
by the Gradus Group.



www.gradusgroup.com

Gabor is a registered trademark of the Gradus Group.

© 2023 Gradus Group LLC. All Rights Reserved.

All images are for illustrative purposes only.

GG1