

Scan this QR code for
product information, videos,
and assembly assistance.



UL CERTIFIED FULL MOTION TV WALL MOUNT



HAVE QUESTIONS?

Monday - Friday from 8:00am - 4:00pm PST



support@mount-it.com



(855) 925-5668

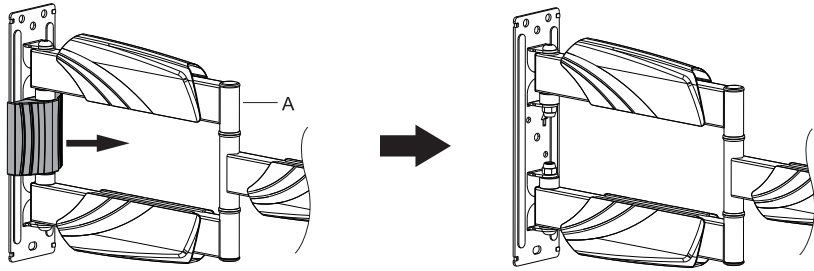


www.mount-it.com

Step 1

Remove the Decorative Cover

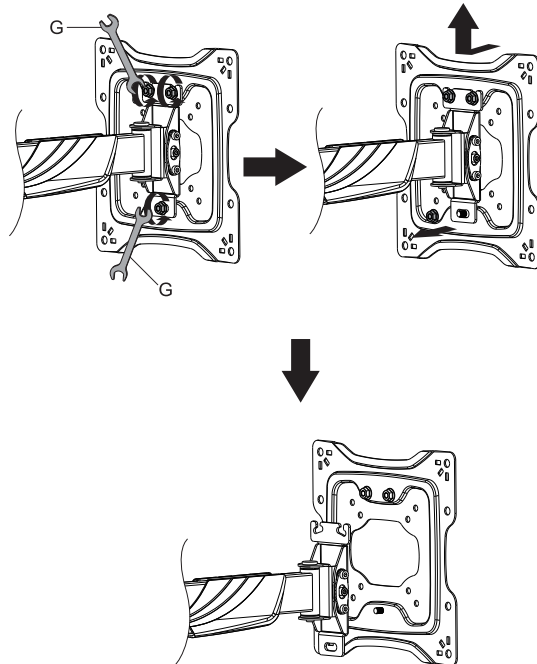
- Remove the preinstalled decorative cover from the middle of the wall bracket on Mount Arm (#A) to allow access to the bolt hole beneath.



Step 2

Remove the VESA Plate

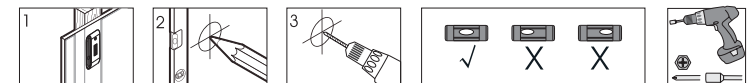
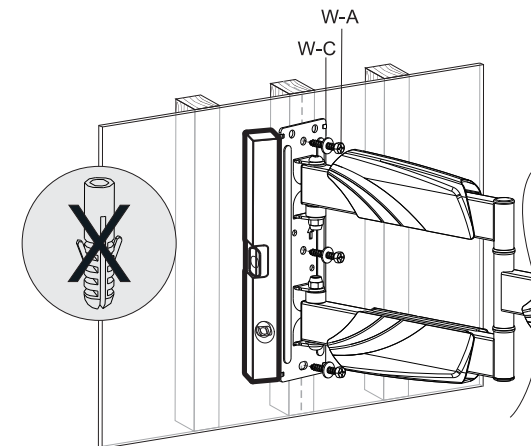
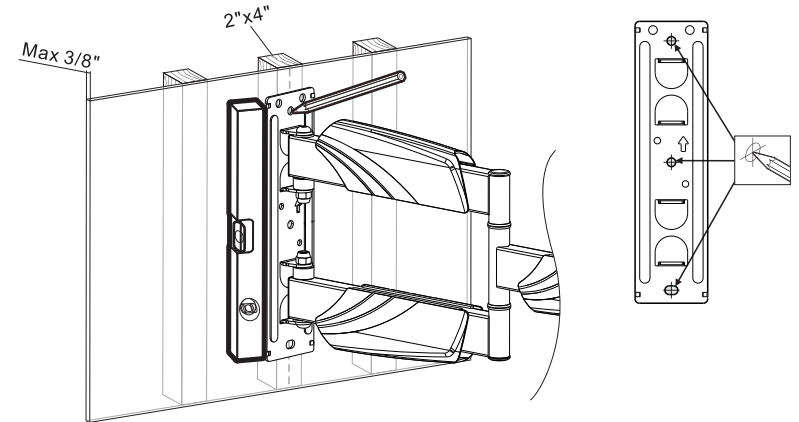
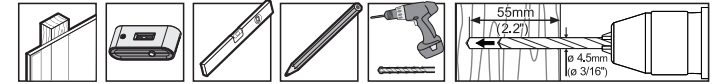
- As shown in the diagram, loosen the top two nuts on the rear of the VESA plate, and remove the single nut on the lower half (save this nut for the reinstallation of the plate later.) Lift the VESA plate up and off of the Mount Arm (#A).



Step 3

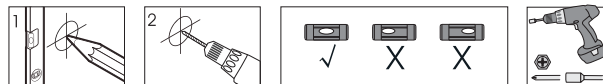
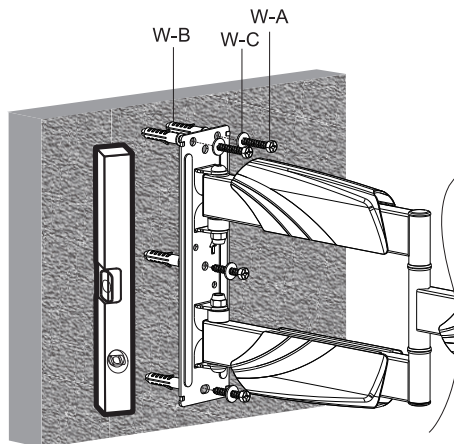
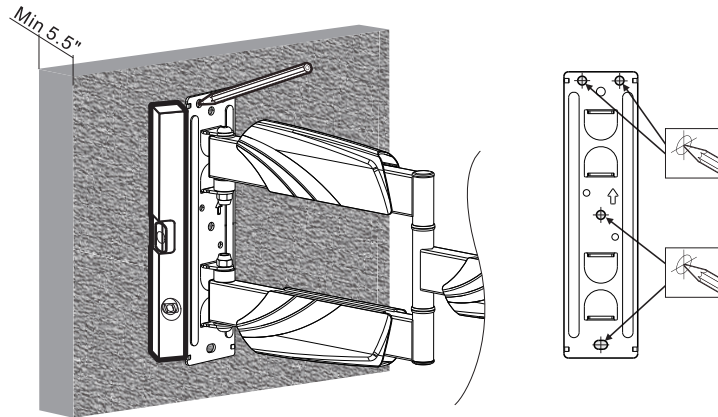
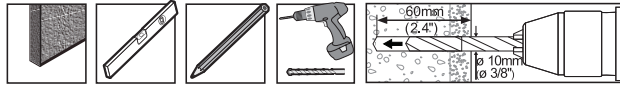
A. Wood Stud Installation Option

- Using a stud finder locate the stud and center the Mount Arm (#A) on the stud at the desired height. Use the Bubble Level (#F) to ensure straightness and mark the center of the 3 mounting holes indicated here with a pencil.
- Use a 3/16" drill bit and drill on the marked locations to a depth of 2.2". Secure the Mount Arm (#A) to the wall using 3 Lag Screws (#W-A) and Washers (#W-C). Tighten the screws until secure.



B. Concrete/Brick Mounting Option

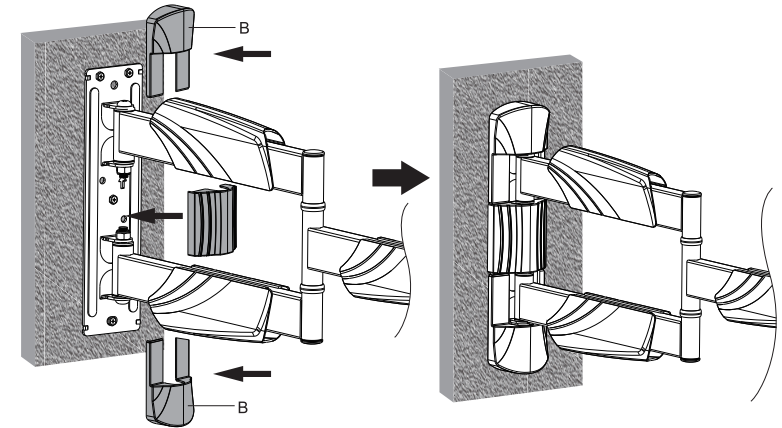
- Use a bubble level to ensure straightness and hold the Mount Arm (#A) to the desired location on the wall. Mark the center of the 4 mounting holes indicated here with a pencil.
- Use a 3/8" drill bit and drill on the marked locations to a depth of 2.4". Clear any dust and debris from the holes and insert the Concrete Anchors (#W-B). Secure the Mount Arm (#A) to the wall using Lag Screws (#W-A) and Washers (#W-C). Tighten the screws until secure.



Step 4

Install the Decorative Covers

- Reinstall the middle cover removed in step 1.
- Install the Decorative Covers (#B) on the top and bottom of the wall bracket.

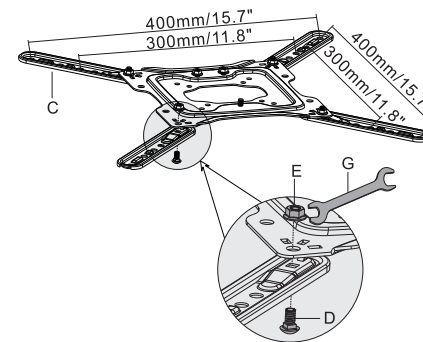


Step 5

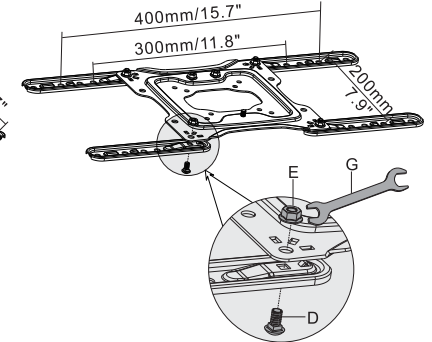
Optional Installation of the VESA Extension Arms

- For TVs with a VESA pattern greater than 200x200, the use of the VESA Extension Arms (#C) will be required. Follow the orientation shown in diagrams 5a, 5b, or 5c for the configuration that matches your TV. Secure the Extension Arms to the VESA Plate using the VESA Arm Bolts (#D) and VESA Arm Nuts (#E). Ensure that they are tightened until secure.

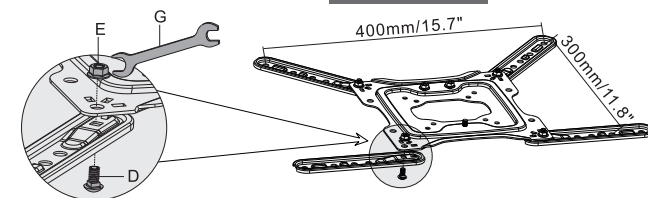
5a VESA 300x300, 400x400



5b VESA 400x200, 300x200



5c VESA 400x300

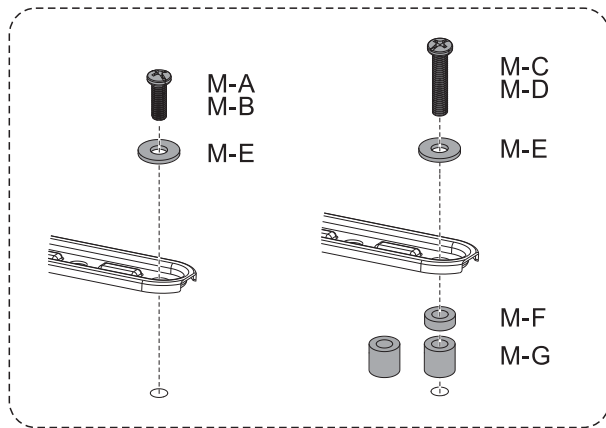
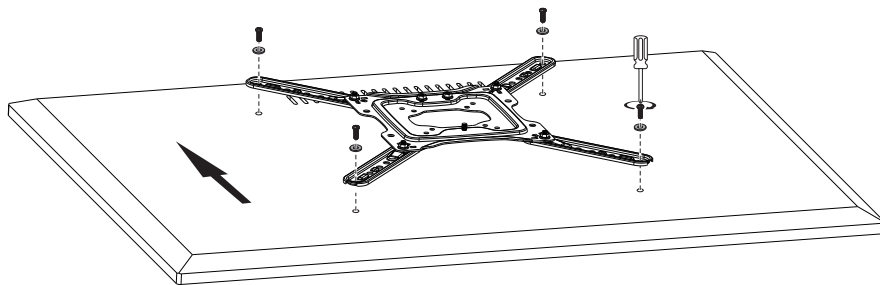
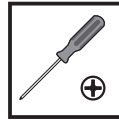
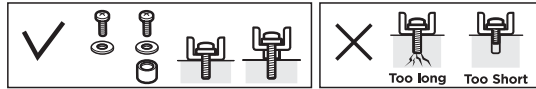


Step 6

Attach the TV

• Select the appropriate size mounting bolt (Select one size #M-A, M-B, M-C, or M-D) and washer (#M-E) for your display's mounting holes and verify the length of the VESA bolt is not too long. If you are unsure of the correct bolt size for your display refer to your display's user manual or contact the display's manufacturer for sizing information. If necessary, use the included spacers (#M-F, M-G) between the mount and the screen as shown above to adjust the length of the mounting bolt. Multiple spacers can be used in combination to achieve the desired bolt depth.

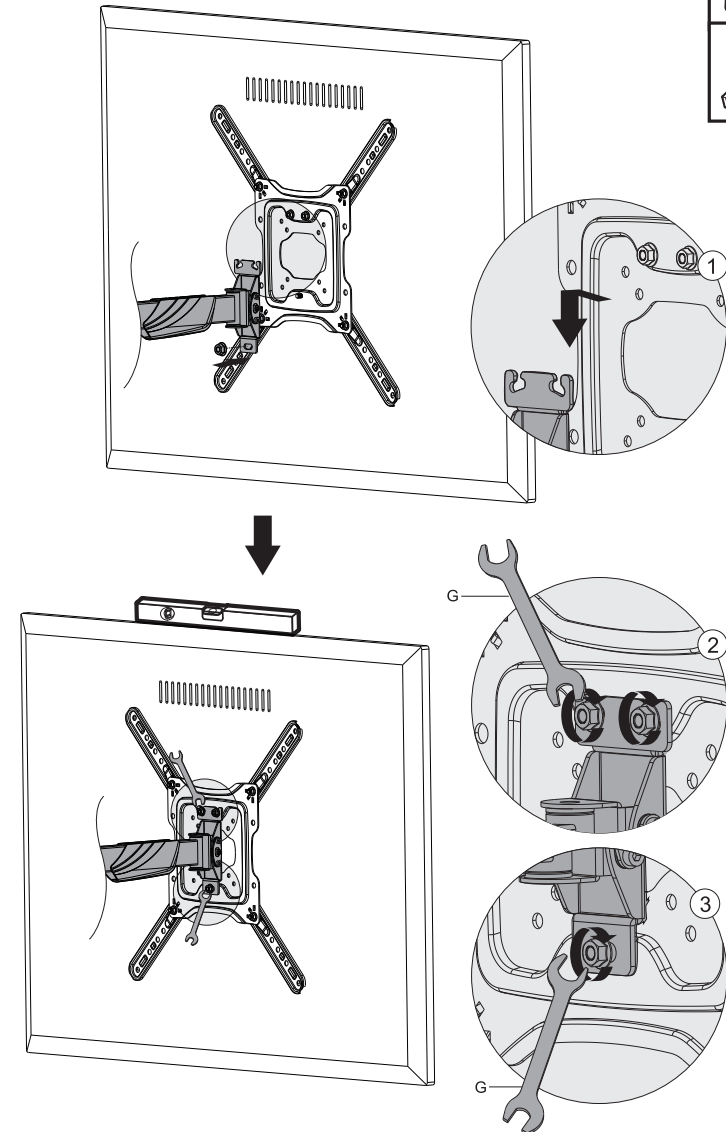
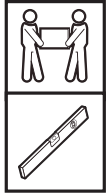
• Attach the VESA Plate using the selected bolts in the orientation shown here and tighten until secure. Do not over tighten.



Step 7

Hang the TV on the Wall Mount

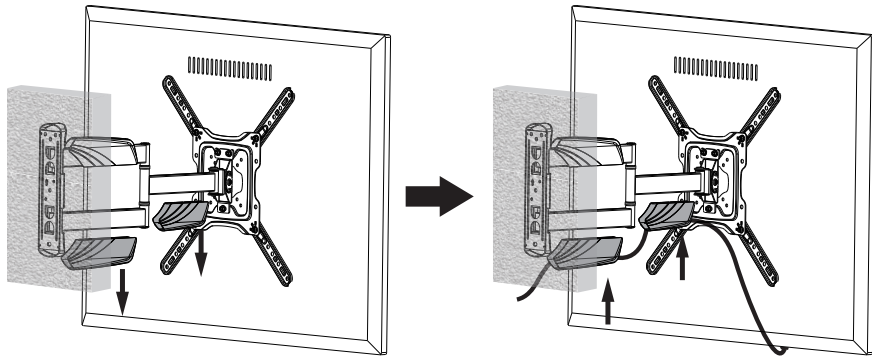
1. Hang the TV back on the end of the Mount Arm by hooking the top two bolts into the slots on top of the arm.
2. Use a bubble level to ensure the TV is level, then tighten the two nuts on the top back down using the Wrench (#G).
3. Reinstall and tighten the lower nut removed in step 2 using the Wrench (#G).



Step 8

Cable Management

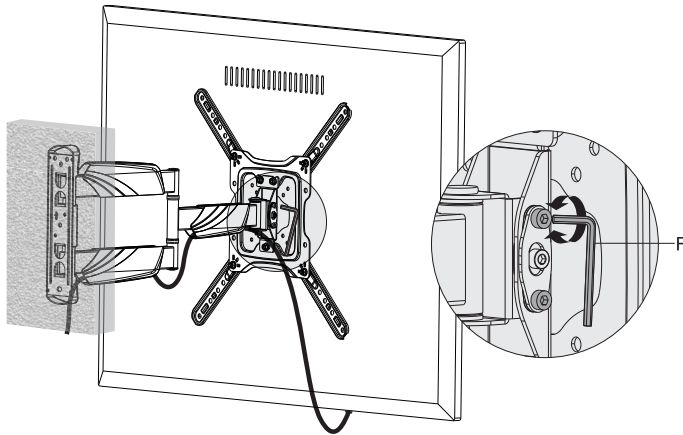
- Route the cables through the cable clips on the underside of the arm segments.



Step 9

Tilt Adjustments

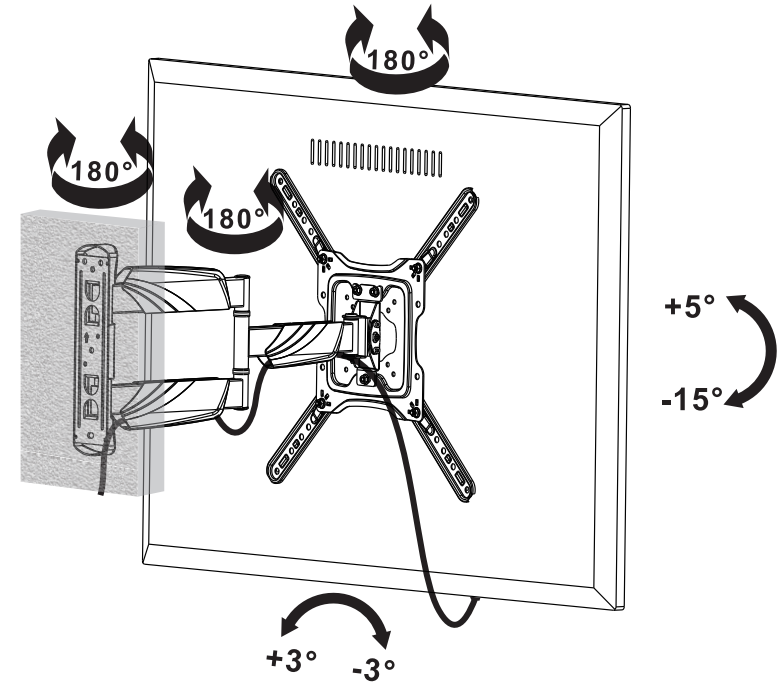
- To adjust the tilt of the screen loosen the bolt on the side of the mount (indicated in the magnification bubble) using the Hex Wrench (#F) then tilt the screen to the desired angle and tighten the bolt back down.



Step 10

Final Adjustments

- Each arm joint can be turned 180° to fold and extend the arm.
- The screen can be leveled +/- 3°
- The screen can be tilted up and down +5°/-15°



Visit us at www.mount-it.com for product registration and warranty information.

Our US based customer service team is standing by to answer any questions you have about your Mount-It! product.

Available by phone **Monday - Friday from 8:00am to 4:00pm** PST.

Chat live with an agent on our website!



support@mount-it.com



(855) 925-5668



www.mount-it.com