

Scan this QR code for  
product information, videos,  
and assembly assistance.



## UL CERTIFIED HEAVY DUTY FULL MOTION TV WALL MOUNT



**HAVE QUESTIONS?**

Monday - Friday from 8:00am - 4:00pm PST



[support@mount-it.com](mailto:support@mount-it.com)



(855) 925-5668



[www.mount-it.com](http://www.mount-it.com)

# Thank you for choosing Mount-It!

**EN** Read the entire instruction manual before you start installation and assembly. If you have any questions regarding any of the instructions or warnings, please contact Mount-It! for assistance.

**CAUTION:** Use with products heavier than the rated weights indicated may result in instability causing possible injury.

Mounts must be attached as specified in assembly instructions. Improper installation may result in damage or serious personal injury.

- Safely gear and proper tools must be used. This product should only be installed by professionals.
- This product is designed to be installed on wood stud walls, solid concrete walls.
- Make sure that the supporting surface will safely support the combined weight of the equipment and all attached hardware and components.
- Use the mounting screws provided and DO NOT OVER TIGHTEN mounting screws
- This product contains small items that could be a choking hazard if swallowed. Keep these items away from children.
- This product is intended for indoor use only. Using this product outdoors could lead to product failure and personal injury.

**IMPORTANT:** Ensure that you have received all parts according to the component checklist prior to installation. If any parts are missing or faulty, telephone Mount-It! for a replacement.

**MAINTENANCE:** Check that the bracket is secure and safe to use at regular intervals (at least every three months).

**FR** Lisez entièrement le guide d'utilisateur avant de commencer l'installation et le montage. Si vous avez des questions concernant les instructions ou les avertissements, veuillez contacter votre distributeur local pour une assistance.

**ATTENTION:** L'utilisation de produits plus lourds que les poids nominaux indiqués peut entraîner une instabilité causant des blessures potentielles.

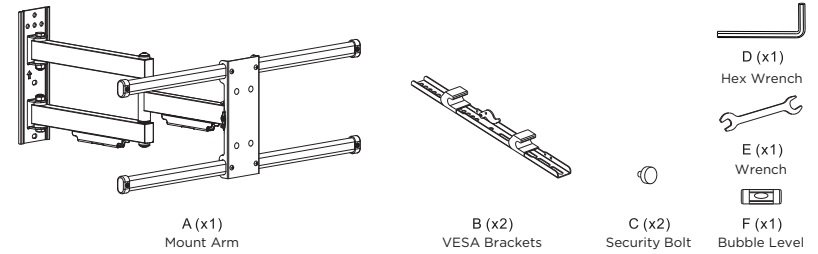
Les supports doivent être joints comme spécifié dans les instructions de montage. Une mauvaise installation peut entraîner des dommages ou de graves blessures aux personnes.

- Un équipement de sécurité et les outils appropriés doivent être utilisés. Ce produit devrait être installé uniquement par des professionnels.
- Ce produit est conçu pour être installé sur des murs avec poteaux en bois, des murs en béton massif.
- Assurez-vous que la surface de soutien supporte en sécurité le poids combiné de l'équipement et de tous les matériaux et composants associés.
- Utilisez les vis de montage fournies et NE SERREZ PAS TROP les vis de montage
- Ce produit contient de petites pièces qui peuvent causer un étouffement si elles sont avalées. Éloignez ces pièces des enfants.
- Ce produit est prévu uniquement pour une utilisation à l'intérieur. L'utilisation de ce produit à l'extérieur peut entraîner une défaillance du produit ou des blessures aux personnes.

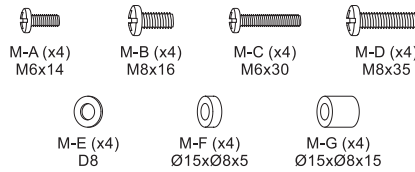
**IMPORTANT:** Avant l'installation, assurez-vous que vous avez reçu toutes les pièces selon la liste de vérification des composants. Si une pièce est manquante ou endommagée, téléphonez à votre distributeur local pour qu'il la remplace.

**MAINTENANCE:** A intervalles réguliers (au moins tous les trois mois) vérifiez que le support est d'utilisation sûre et fiable

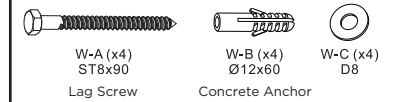
## PACKAGE CONTENTS



## VESA MOUNTING HARDWARE



## WALL MOUNTING HARDWARE

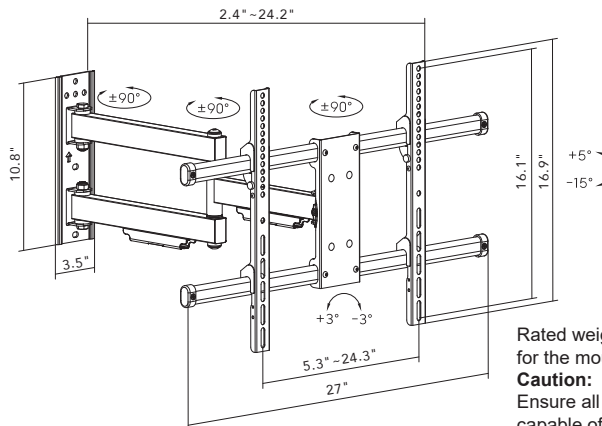


Check carefully to make sure there are no missing or defective parts. Some hardware provided may not be used. Use the correct mounting hardware suitable for your installation.

**CHOKING HAZARD.** Package includes small parts. Not for children under 3 years. Adult supervision is required.

**Missing Parts? Call us at (855) 925-5668 and we will ship replacement parts free of charge.**

## DIMENSIONS & WEIGHT CAPACITY



Rated weight capacity is 110lbs for the mount.

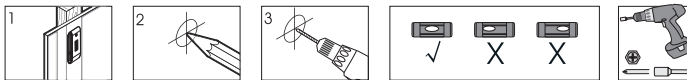
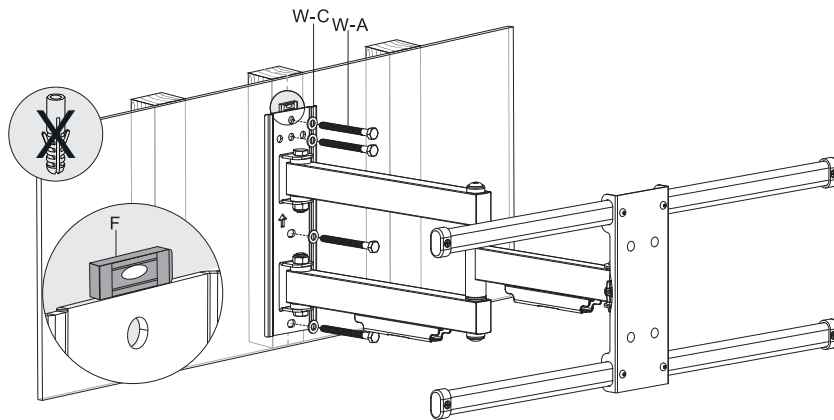
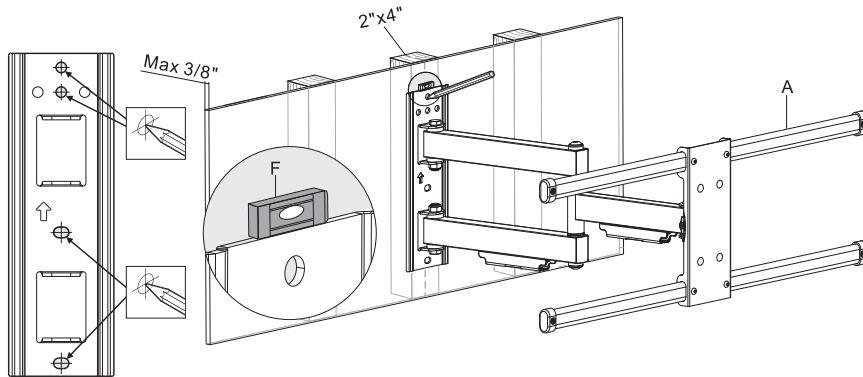
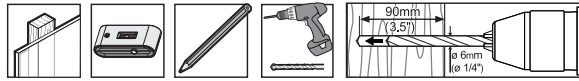
**Caution:** Ensure all mounting surfaces are capable of holding the weight of your mount. DO NOT EXCEED MAXIMUM LISTED WEIGHT CAPACITY. SERIOUS INJURY OR PROPERTY DAMAGE MAY OCCUR!



# Step 1

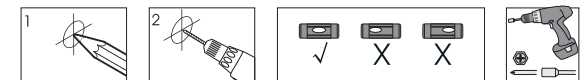
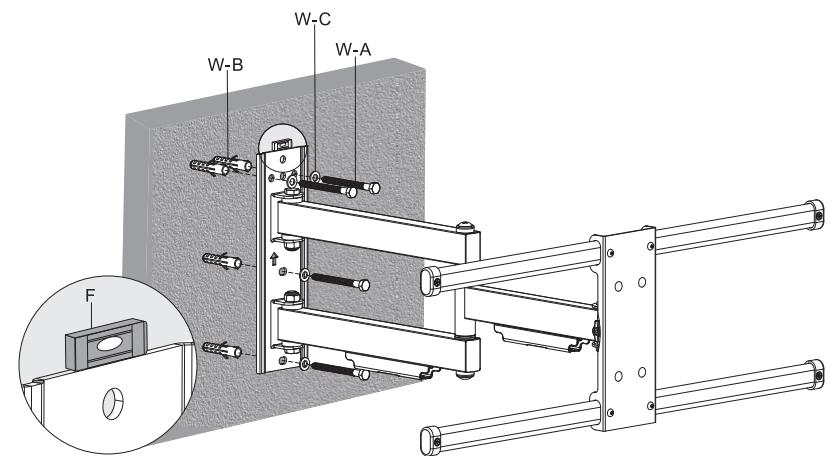
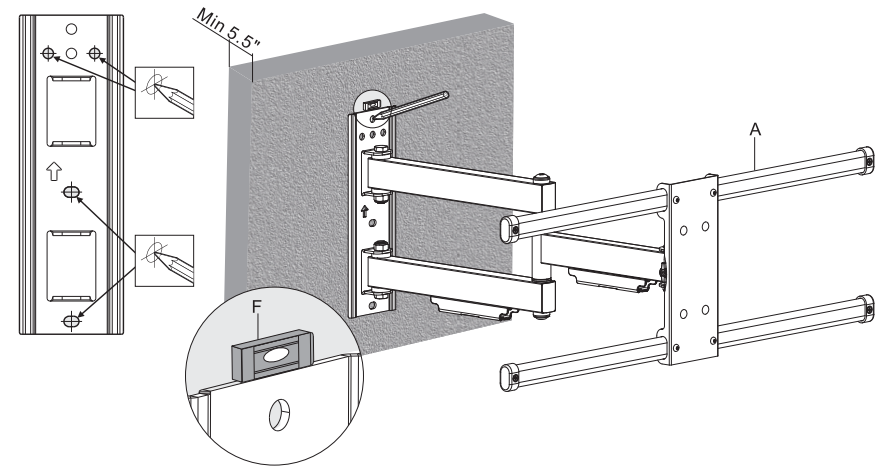
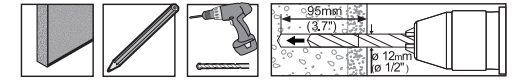
## A. Wood Stud Installation Option

- Using a stud finder locate the stud and center the Mount Arm (#A) on the stud at the desired height. Use the Bubble Level (#F) to ensure straightness and mark the center of the 4 mounting holes indicated here with a pencil.
- Use a 1/4" drill bit and drill on the marked locations to a depth of 3.5". Secure the Mount Arm (#A) to the wall using 4 Lag Screws (#W-A) and Washers (#W-C). Tighten the screws until secure.



## B. Concrete/Brick Mounting Option

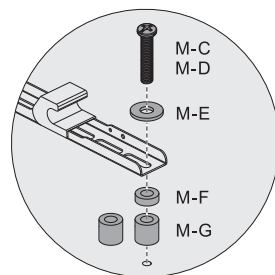
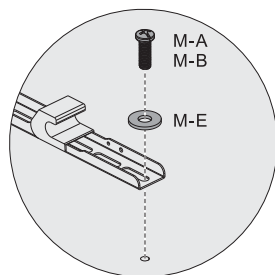
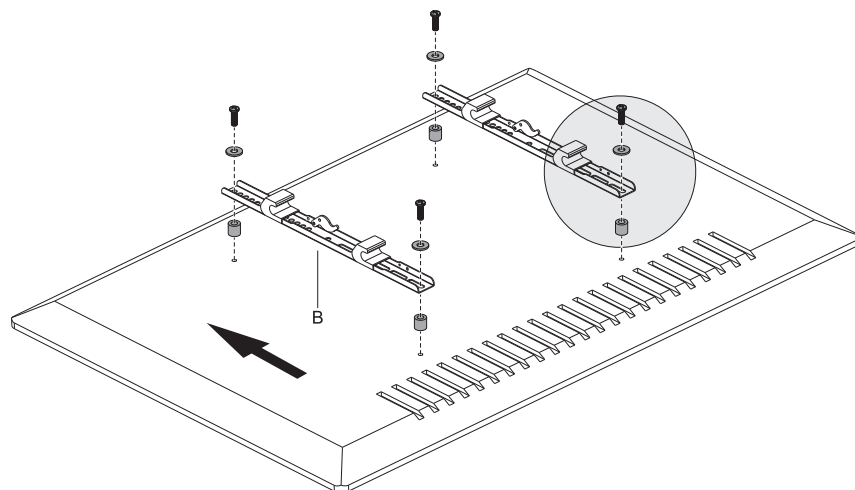
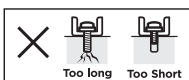
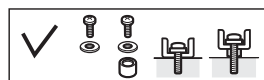
- Use the Bubble Level (#F) to ensure straightness and hold the Mount Arm (#A) to the desired location on the wall. Mark the center of the 4 mounting holes indicated here with a pencil.
- Use a 1/2" drill bit and drill on the marked locations to a depth of 3.7". Clear any dust and debris from the holes and insert the Concrete Anchors (#W-B). Secure the Mount Arm (#A) to the wall using Lag Screws (#W-A) and Washers (#W-C). Tighten the screws until secure.



## Step 2

### Attach the TV to the VESA Arms

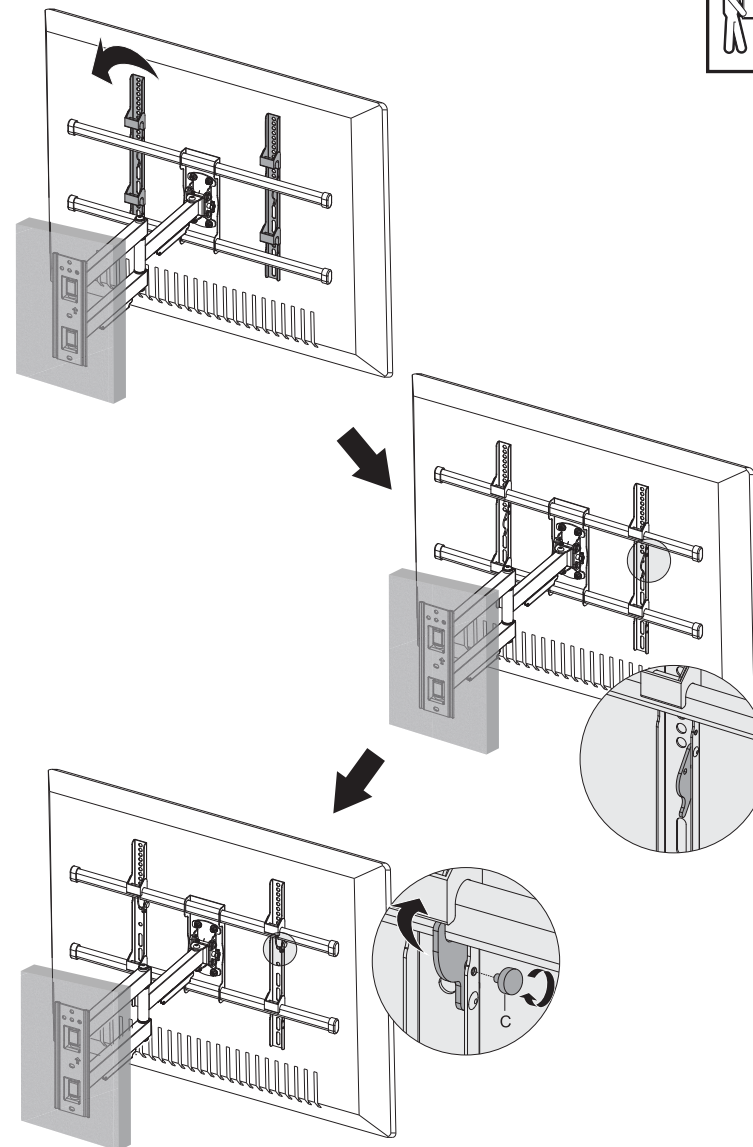
- Select the appropriate size mounting bolt (Select one size #M-A, M-B, M-C, or M-D) and washer (#M-E) for your display's mounting holes and verify the length of the VESA bolt is not too long. If you are unsure of the correct bolt size for your display refer to your display's user manual or contact the display's manufacturer for sizing information. If necessary, use the included spacers (#M-F, M-G) between the mount and the screen as shown above to adjust the length of the mounting bolt. Multiple spacers can be used in combination to achieve the desired bolt depth.
- Attach the VESA Brackets (#B) using the selected bolts in the orientation shown here and tighten until secure. Do not over tighten.



## Step 3

### Hang the TV on the Wall Mount

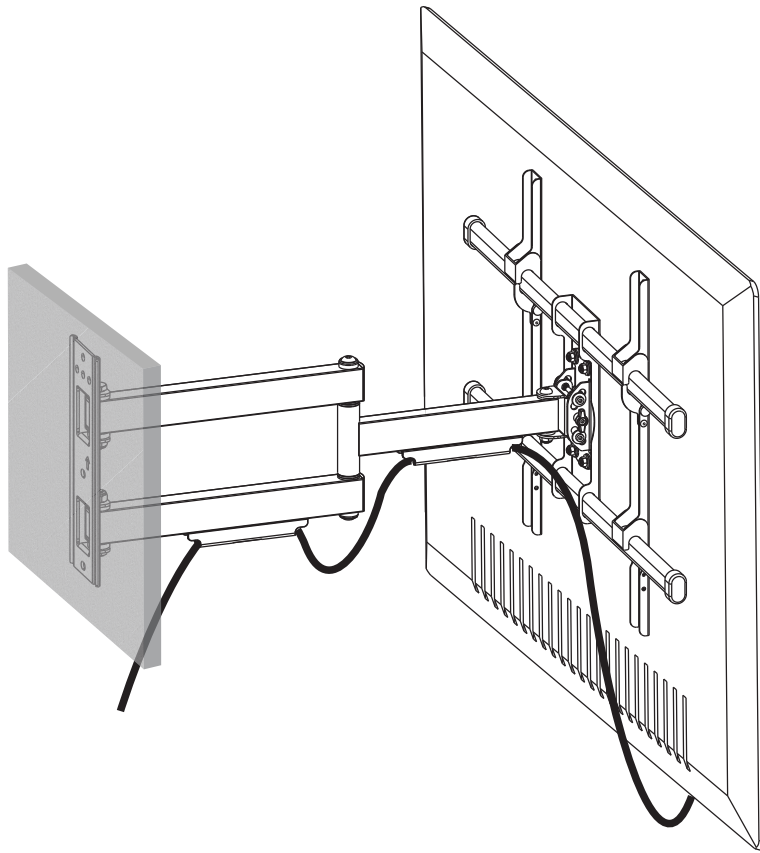
- It is recommended that you use the assistance of a second person for this step. Hang the TV on the horizontal arms.
- Locate the security clip beneath the upper horizontal arm on each side.
- Turn the security clip up to its highest position as shown here, then insert the Security Bolt (#C) and tighten by hand until secure. This security bolt and clip prevents the mount from being accidentally lifted away from the wall mount.



## Step 4

### Cable Management

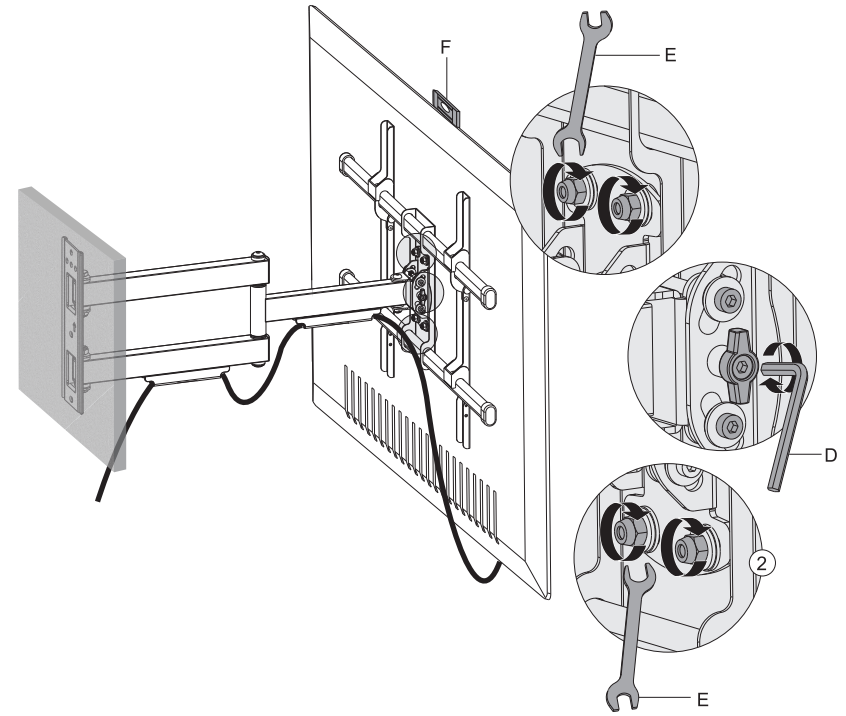
- Route the cables through the cable clips on the underside of the arm segments.



## Step 5

### Tilt and Level Adjustments

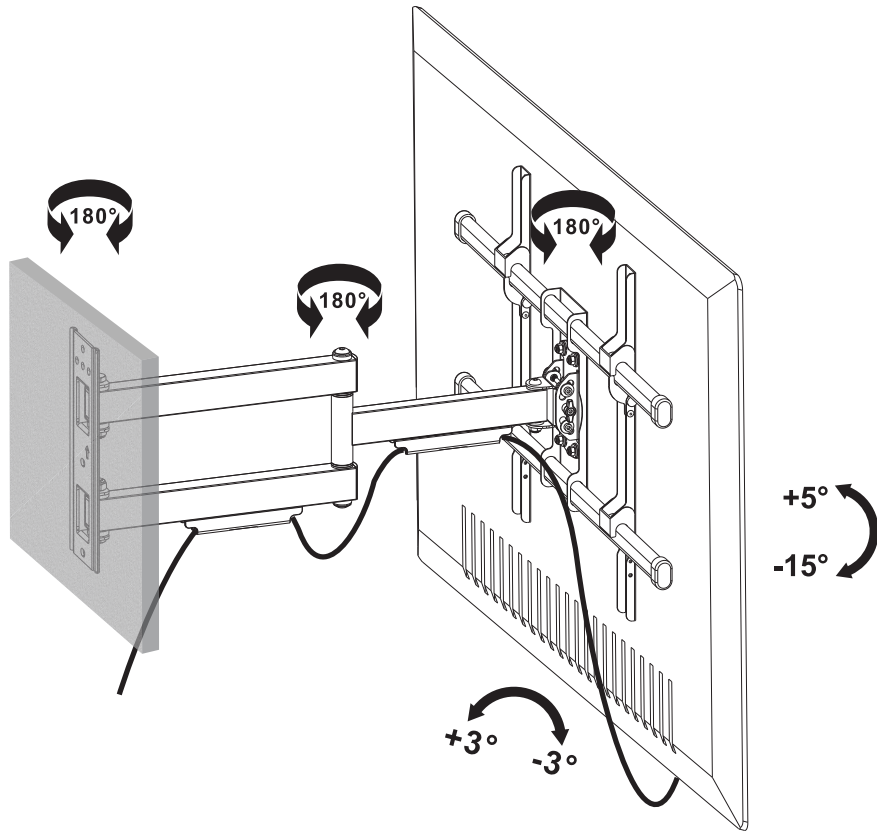
- To adjust the level of the screen, loosen the 4 bolts as needed on the back of the center plate using the Wrench (#E), then adjust to the desired tilt and tighten the bolts back down.
- To adjust the tilt of the screen loosen the knob on the side the mount using the Hex Wrench (#D) then tilt the screen to the desired angle and tighten the knob back down.



## Step 6

### Final Adjustments

- Each arm joint can be turned 180° to fold and extend the arm.
- The screen can be leveled +/- 3°
- The screen can be tilted up and down +5°/-15°



Visit us at [www.mount-it.com](http://www.mount-it.com) for product registration and warranty information.

---

Our US based customer service team is standing by to answer any questions you have about your Mount-It! product.

Available by phone **Monday - Friday from 8:00am to 4:00pm** PST.

*Chat live with an agent on our website!*



[support@mount-it.com](mailto:support@mount-it.com)



(855) 925-5668



[www.mount-it.com](http://www.mount-it.com)