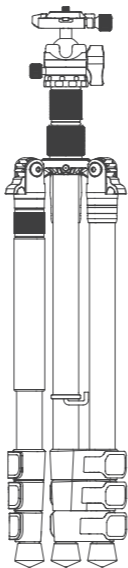


SmallRig



Carbon Fiber Tripod with Center Column AP-20

User Manual

Thank you for purchasing SmallRig's products.

Warnings

- Do not exceed the specified load capacity.
- Make sure to lock and keep safe when operating the tripod.
- Do not use a tripod when the temperature is lower than minus 20 degrees or higher than 65 degrees.
- Please clean the tripod when it is getting dirty or wet, do not use it in the sea.
- Do not expose product under direct sunshine or high temperature for a long time.
- Make sure all devices (e.g. cameras) were taken down from the tripod before transportation.
- Keep the tripod and all accessories clean before packing for storage.
- Unless necessary, the equipment does not need to be lubricated regularly. Please use the standard lube only if needed.
- To ensure safety, do not connect the tripod with any power supply.

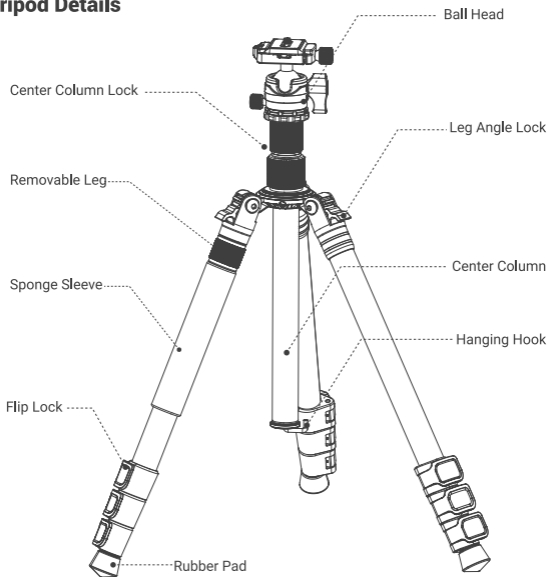


Please do not disassemble the product ,if you have any question, please contact the seller to apply after-sales service.

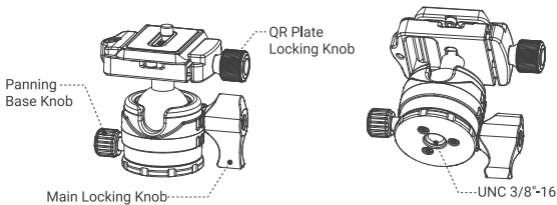
In the Box

- | | |
|---|-----|
| 1. Carbon Fiber Tripod with Center Column AP-20 | × 1 |
| 2. Carrying Bag | × 1 |
| 3. User Manual | × 1 |

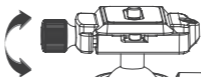
Tripod Details



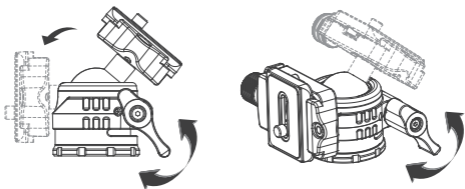
Ball Head Details



QR Plate Lock & Unlock

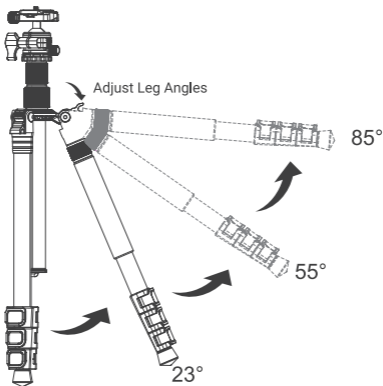


Panning Base Lock & Unlock



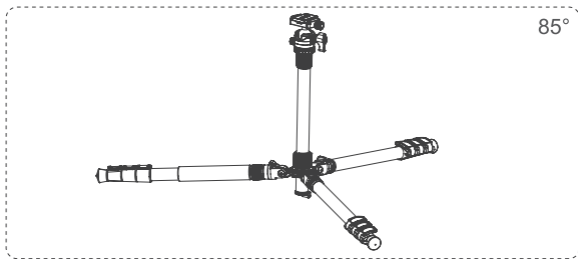
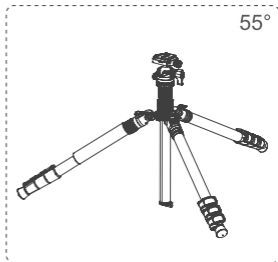
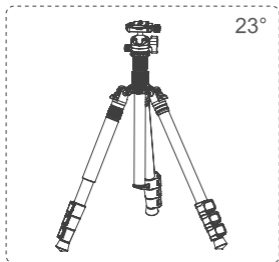
Maining Locking Knob Controls the Ball Activity

Adjust Leg Angles



For stable support when shooting on an uneven surface, or for low-angle shots, each leg can be adjusted to 3 preset angles. To set the leg angles:

1. Press outward the leg angle lock
2. Set the leg angle to one of the three preset positions.
3. Press inward the leg angle lock to secure the angle setting.



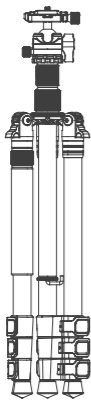
Tips

- Please remove camera from the tripod before moving the tripod to other locations for shooting to avoid any damage to the camera, as violent shaking may break the camera screw thus break the camera, especially the camera with telephoto lens.
- Extend the tripod legs in the order of from max tube to min tube, while fold the legs in the order of from min tube to max tube.

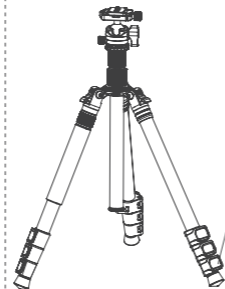


Spread Tripod Legs

①

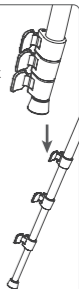


②



Pull open
the flip lock

Pull out legs



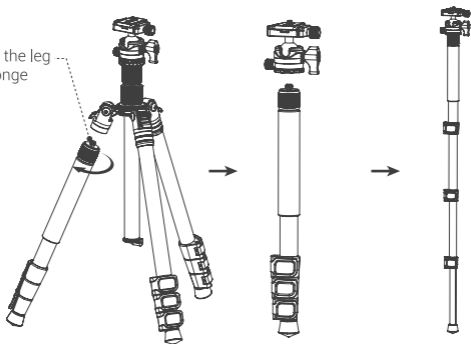
③



Lock the flip lock to secure legs

Convert to Monopod

Remove the leg
with sponge



Monopod 3/8"-16 screw
supports other devices

Install Tripod Head

UNC 3/8" Screw

