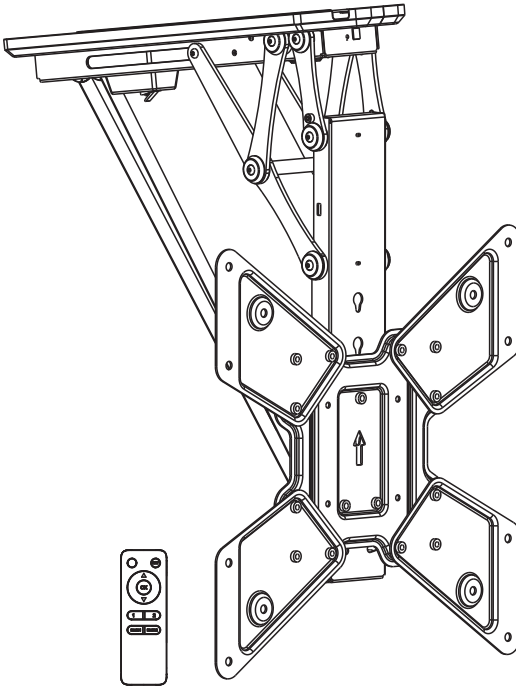


MOUNT-IT!

Installation Manual

SKU: MI-4223

SKU: MI-4223W



Please scan this QR code to visit the product page.

MOTORIZED TV CEILING MOUNT



HAVE QUESTIONS?

Monday - Friday from 8:00am - 4:00pm PST



support@mount-it.com



(855) 925-5668



www.mount-it.com

Thank you for choosing Mount-It!

EN Read the entire instruction manual before you start installation and assembly. If you have any questions regarding any of the instructions or warnings, please contact Mount-It! for assistance.

- CAUTION:** Use with products heavier than the rated weights indicated may result in instability causing possible injury.
- Mounts must be attached as specified in assembly instructions. Improper installation may result in damage or serious personal injury.
 - Safety gear and proper tools must be used. This product should only be installed by professionals.
 - Make sure that the supporting surface will safely support the combined weight of the equipment and all attached hardware and components.
 - Use the mounting screws provided and DO NOT OVER TIGHTEN mounting screws.
 - This product contains small items that could be a choking hazard if swallowed. Keep these items away from children.
 - This product is intended for indoor use only. Using this product outdoors could lead to product failure and personal injury.
- IMPORTANT:** Ensure that you have received all parts according to the component checklist prior to installation. If any parts are missing or faulty, telephone Mount-It! for a replacement.
- MAINTENANCE:** Check that the bracket is secure and safe to use at regular intervals (at least every three months).

DE Bitte vor Beginn der Montage und Zusammenbau das ganze Handbuch durchlesen. Bitte sich mit dem Händler vor Ort bei Fragen zur Anleitung oder Warnungen in Verbindung setzen.

- VORSICHT:** Bei Verwendung mit Produkten, die das zulässige Gewicht überschreiten, können Schäden oder möglicherweise Verletzungen die Folge sein.
- Halterungen sollen entsprechend den Montageanweisungen angebracht werden. Eine unsachgemäße Montage kann Schäden oder Verletzungen zur Folge haben.
 - Sicherheitsausrüstung und geeignete Werkzeuge verwenden. Die Montage des Produktes sollte nur von Fachleuten durchgeführt werden.
 - Die tragenden Oberflächen sollten das gesamte Gewicht von Geräten und allen zusätzlichen Bauteilen sicher aushalten können.
 - Nur die mitgelieferten Einbauschrauben verwenden und die Schrauben NICHT ZU FEST ANZIEHEN.
 - Dieses Produkt enthält Kleinteile, die Erstickungsgefahr beim Verschlucken hervorrufen können. Diese Teile von Kindern fernhalten.
 - Dieses Produkt nur in Innenräumen verwenden. Verwendung des Produktes im Außenbereich kann zu Verletzungen und Schäden führen.
- WICHTIG:** Vor der Montage bitte alle erhaltenen Bauteile mit der Bauteilleiste abgleichen. Bei beschädigten oder fehlenden Teilen den Händler vor Ort nach Ersatzteilen fragen.
- WARTUNG:** Die Halterungsklammer regelmäßig auf Sicherheit und Stabilität prüfen (am besten alle drei Monate).

FR Lisez entièrement le guide d'utilisateur avant de commencer l'installation et le montage. Si vous avez des questions concernant les instructions ou les avertissements, veuillez contacter votre distributeur local pour une assistance.

- ATTENTION:** L'utilisation de produits plus lourds que les poids nominaux indiqués peut entraîner une instabilité causant des blessures potentielles.
- Les supports doivent être joints comme spécifié dans les instructions de montage. Une mauvaise installation peut entraîner des dommages ou de graves blessures aux personnes.
 - Un équipement de sécurité et les outils appropriés doivent être utilisés. Ce produit devrait être installé uniquement par des professionnels.
 - Assurez-vous que la surface de soutien supporte en sécurité le poids combiné de l'équipement et de tous les matériaux et composants associés.
 - Utilisez les vis de montage fournies et NE SERREZ PAS TROP les vis de montage.
 - Ce produit contient de petites pièces qui peuvent causer un étouffement si elles sont avalées. Éloignez ces pièces des enfants.
 - Ce produit est prévu uniquement pour une utilisation à l'intérieur. L'utilisation de ce produit à l'extérieur peut entraîner un défilage du produit ou des blessures aux personnes.
- IMPORTANT:** Avant l'installation, assurez-vous que vous avez reçu toutes les pièces selon la liste de vérification des composants. Si une pièce est manquante ou endommagée, téléphonez à votre distributeur local pour qu'il la remplace.
- MAINTENANCE:** A intervalles réguliers (au moins tous les trois mois) vérifiez que le support est d'utilisation sûre et fiable.

RU Перед началом установки и сборки прочитайте руководство по установке. Если у Вас возникли какие-либо вопросы относительно инструкций или предупреждений, свяжитесь с Вашим локальным дистрибутором для получения помощи.

- Внимание:** Использование продуктов, вес которых превышает указанный расчетный вес, может привести к нестабильности и возможным повреждениям.
- Опоры должны быть установлены, как это показано в монтажных инструкциях. Неправильная установка может привести к получению серьезных травм.
 - Необходимо использовать предохранительное устройство и специальные инструменты. Продукт должен устанавливаться только профессионалами.
 - Убедитесь, что несущая поверхность выдержит вес оборудования и всего установленного оборудования и комплектующих.
 - Необходимо использовать идущие в комплекте установочные шурупы и НЕ ПЕРЕТЯГИВАТЬ установочные шурупы.
 - Данный продукт содержит мелкие детали, которые представляют опасность удушья при проглатывании. Такие детали необходимо хранить в недоступном для детей месте.
 - Данный продукт предназначен только для эксплуатации в помещении. Использование данного продукта на улице может привести к поломке продукта и получению травм.
- ВАЖНО:** Перед установкой убедитесь, что Вы получили все детали в соответствии со списком комплектующих. Если не хватает каких-либо деталей или они повреждены, свяжитесь с Вашим местным дистрибутором по вопросу замены.
- ТЕХНИЧЕСКОЕ ОБСЛУЖИВАНИЕ:** Необходимо регулярно проверять (как минимум, раз в три месяца), чтобы кронштейн был зафиксирован, и его использование было безопасным.

ES Lea todo el manual de instrucciones antes de comenzar la instalación y ensamble de la unidad. Si tiene alguna inquietud con respecto a las instrucciones o advertencias, comuníquese con su distribuidor local.

- PRECAUCIÓN:** utilizar con productos de mayor peso al indicado en los límites de peso podría ocasionar inestabilidad y posibles heridas personales.
- Los soportes deben acoplarse tal como se indica en las instrucciones de ensamble. Una incorrecta instalación podría ocasionar daños y serias heridas personales.
 - Utilice las herramientas y equipo de seguridad adecuados. Este producto solo debe ser instalado por profesionales.
 - Asegure de que la superficie de fijación sostenga de manera segura el peso total del equipo y todos sus componentes y hardware.
 - Utilice los tornillos de ensamble suministrados y NO aplique demasiada tensión a los tornillos.
 - Este producto contiene piezas pequeñas que representan un riesgo de asfixia. Mantenga estas piezas fuera del alcance de los niños.
 - Este producto está diseñado para uso en interiores solamente. Utilizar este producto en exteriores podría ocasionar fallas y heridas personales.
- IMPORTANT:** Asegúrese de que haya recibido todas las piezas según la lista de verificación de componentes para la instalación. Si falta alguna de las partes, o está dañada, comuníquese con su distribuidor.
- MANTENIMIENTO:** Compruebe periódicamente que el soporte esté asegurado y listo para usar (al menos cada tres meses).

PT Leia todo o manual de instruções antes de iniciar a instalação e montagem. Se você tiver alguma dúvida sobre quaisquer uma das instruções ou avisos, por favor, entre em contato com o seu distribuidor local para assistência.

- ATENÇÃO:** O uso com produtos mais pesados do que os pesos indicados pode resultar em instabilidade, causando possíveis danos.
- Os suportes devem ser anexados como especificado nas instruções de montagem. A instalação incorreta pode causar danos ou sérias lesões pessoais.
 - Equipamentos de segurança e ferramentas adequadas devem ser utilizadas. Este produto só deve ser instalado por profissionais.
 - Certifique-se que a superfície de suporte suportará com segurança o peso combinado do equipamento e todas as ferragens e componentes anexados.
 - Use os parafusos de montagem fornecidos e NÃO APERTE EXCESSIVAMENTE os mesmos.
 - Este produto contém pequenas peças que podem causar asfixia se ingeridas. Mantenha esses itens longe do alcance de crianças.
 - Este produto destina-se somente para uso interno. Usá-lo em ambiente externo pode causar falhas no produto e lesões pessoais.
- IMPORTANT:** Assegure-se que você recebeu todas as peças, de acordo com a lista de componentes, antes da instalação. Se alguma peça estiver faltando ou é defeituosa, contate o seu distribuidor local para substituição.
- MANTENÇÃO:** Certifique-se que o suporte seja seguro e protegido para o uso em intervalos regulares (pelo menos a cada três meses).

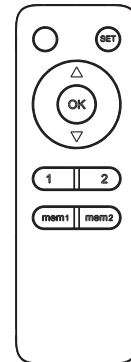
This mount is powered by electricity. Please use caution to avoid burns, fire and electrical shock hazards. Please read the warnings and safety instructions in this manual before using this product.

Warnings

- This TV mount is operated by a powerful motor that is designed to lift and lower the arm and the attached TV. The person operating the mount must be knowledgeable with the operation of the mount; must be aware of pinch points and must ensure the area surrounding the mount and the TV is clear of persons and objects. Failure to understand and follow safety precautions might cause injury and property damage.
- Ensure the TV mount power cord and the cables for the TV are kept clear of the moving parts.
- Do not disassemble the product. Electrical shock risk.

Electrical Safety Instructions

- Use the TV mount only with the power cord and the power supply system provided. Do not make alterations to the power system.
- Do not operate the unit a damaged power cord or a power plug. Contact Mount-It! Customer Support team to purchase replacements for any damaged parts.
- Do not install or operate the unit in wet or extremely high humidity environments.
- Don't clean the product while the power is still connected.
- Don't disassemble or replace components while the power is still connected.
- Unplug the mount if it will not be used for a prolonged period. Keep the power plug out of reach of children.



remote control

Remote Control Operation Instructions

A. Button Functions

1. Raising/Lowering

Press the up "▲" button and the mount will raise to the highest position.
Press the down "▼" button and the mount will move down to the lowest position.
Press the OK "⊙" button to stop the mount at any point.

2. Memory Setting

Press the "mem1" or "mem2" button for 1 seconds and you will hear a beep, indicating that the current position has been saved to memory. The "mem1" "mem2" buttons can each store a different position.

3. Recall Memory

Press the "□" or "□" button and the mount will automatically move to the position saved in the corresponding button "mem1" or "mem2".

4. Reset Mode

Disconnect the power supply cord. Wait for 10 seconds and reconnect. Then press and hold the OK "⊙" button for 5 seconds. The mount will retract to the highest position and stop. The system has now been successfully reset.

5. Set the Movement Range for Angled Ceilings

The TV Mount has a 0°-75° degree range by default. On an angled ceiling the maximum angle needs to be reduced by following these steps.

Prepare: Reset the system using the instructions on A. Button Functions - 4. Reset Mode.

Step 1: Press the down "▼" or up "▲" arrows and stop the mount with the OK "⊙" button when it reaches the lowest position just before the trap starts to go slack.

Step 2: Press and hold the mem1 "mem1" button until the unit beeps once. Repeat this step 5 times. The unit will emit a long beep to indicate success.

Note: Steps 1 and 2 need to be completed within 2 minutes or the entire process will need to be restarted.

Note: The remote control is powered by two AAA batteries (not included.)

B. Manual Mode

In any position (except when the mount is fully raised against the ceiling), push the TV back up toward the ceiling mount and the mount will automatically begin retracting the rest of the way to the highest position against the ceiling.

C. Pairing the Remote Control to the Control Box

Step 1: When the mount is powered on, press the small button on the control box with a thin tool as shown. The unit will emit a beep, indicating that the control box is on standby for remote pairing.

Step 2: Press the SET "SET" button on the remote control and the control box will repeatedly beep for approximately 10 seconds indicating that the remote control is being paired. The process will be finished automatically when the beeping stops.

Note: The TV mount can be paired with up to 20 remote controls. To clear the stored memory of all remote controls, press and hold the small button on the control box for 5 seconds then release. The process is complete when you hear two beeps indicating the memory has been cleared.



Disposal:

The product with this mark indicates that this product shouldn't be disposed of with other household waste. To prevent possible harm to the environment or human health from uncontrolled waste disposal, recycle it responsibly. To dispose of your used device, please contact or visit your local recycling center.



TROUBLESHOOTING

If a problem arises, please try the troubleshooting guidelines below. If the problem is not listed, please contact Mount-It! for additional technical assistance.

1. The mount beeps constantly or is making an abnormal noise.

- Reset the system: Press and hold the "OK" button for 5 seconds. The mount will retract to the highest position, and the reset is complete.
- If the beeps or noise continue please contact Mount-It! for more assistance.

2. The TV mount stops moving during operation and emits a long beep.

- Check to see if a foreign object is impeding the mount from moving. If so, remove the obstruction.
- The weight of TV may exceed the maximum weight limitation of the mounting system.
- Reset the system: Press and hold the "OK" button for 5 seconds. The mount will retract to the highest position, and the reset is complete. If the problem persists please contact Mount-It! for more assistance.

3. The mount emits 2 short beeps, then stops.

Weight Capacity/Over-current protection: Ensure the mount is not over the weight capacity, then raise and lower the mount continuously for 2 minutes until the mount stops moving. Unplug the power cable and wait approximately 20 minutes for the motor to cool, then plug it back in. The mount should resume normal operation.

4. The mount emits 2 sets of 2 short beeps.

The Mount is Overextended and needs to be reset: Disconnect the power adaptor then plug it in again, next press and hold the "OK" button on the remote for 5 seconds. The mount will retract to the highest position, and the reset is complete.

5. The mount emits 3 sets of 2 short beeps.

Operating Fault or Signal Error: Please contact Mount-It! for further assistance.

6. The mount emits 4 sets of 2 short beeps.

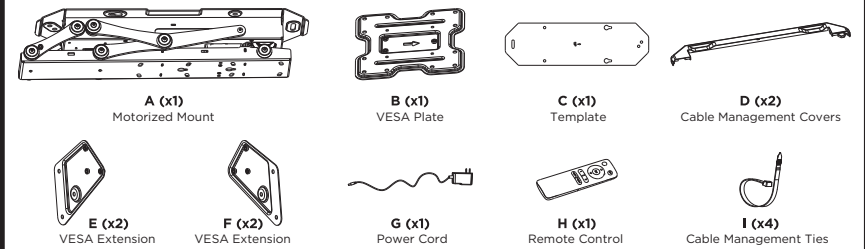
Mount strap is misaligned or stuck: Press the "△" button to raise the mount to the highest position, if it will not move or will not fully raise it will need to be reset, press and hold the "OK" button for 5 seconds. The mount will retract to the highest position, and the reset is complete. If the mount still will not move, or is stuck in the highest position the belt may be stuck. Please contact Mount-It! for assistance to manually reset the belt.

Remote Control

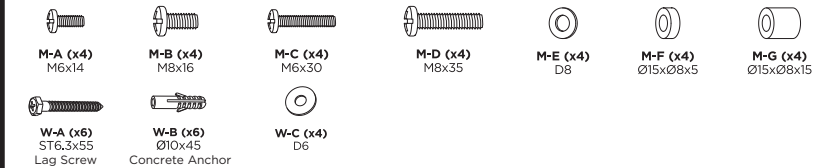
- The remote control may be too far and not in range of the mount. The maximum operating range for the remote control is 10 feet (3m).
- The batteries in the remote control may be low or empty. Replace the batteries.
- The remote control may be defective. Check to see if the indicator LED found on the remote lights up when a button is pressed. If the problem persists contact Mount-It! for additional assistance.

Mount and Accessories

30kg
(66lbs)
RATED



Mounting Hardware

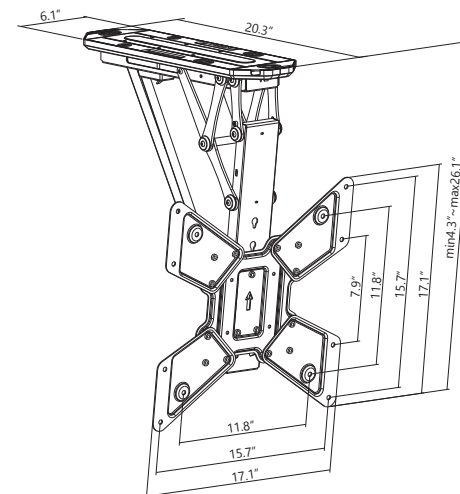


Check carefully to make sure there are no missing or defective parts. Some hardware provided may not be used. Use the correct mounting hardware suitable for your installation.

CHOKING HAZARD. Package includes small parts.
Not for children under 3 years. Adult supervision is required.

Missing Parts? Call us at (855) 925-5668 and we will ship replacement parts free of charge.

DIMENSIONS & WEIGHT CAPACITY



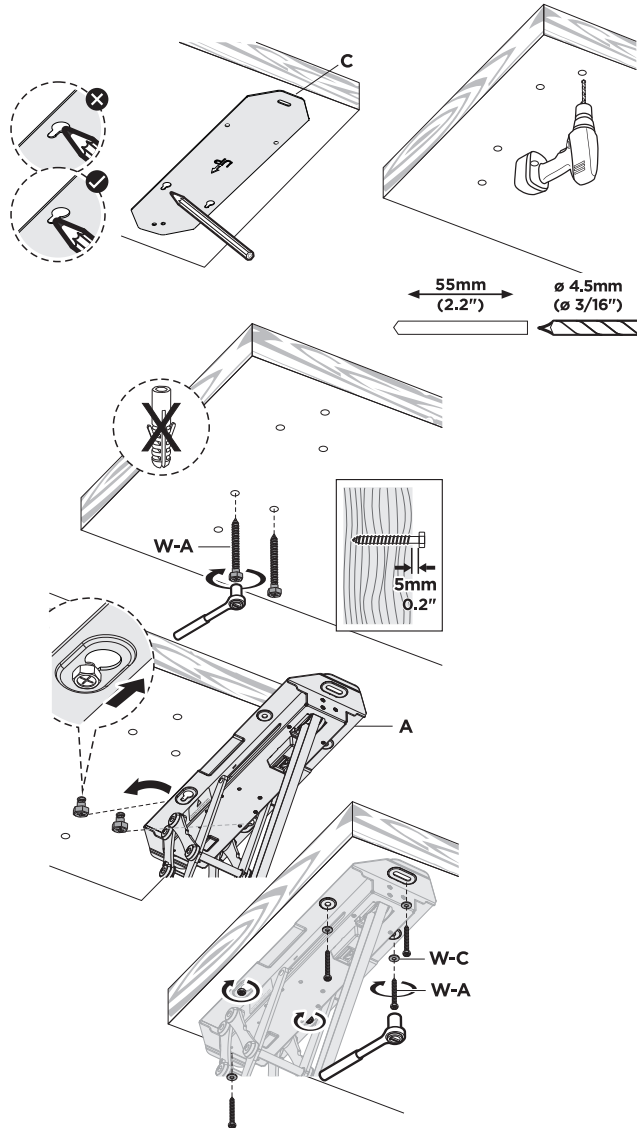
Rated weight capacity is 66lbs for the mount.

Caution:
Ensure all mounting surfaces are capable of holding the weight of your mount.
DO NOT EXCEED MAXIMUM LISTED WEIGHT CAPACITY. SERIOUS INJURY OR PROPERTY DAMAGE MAY OCCUR!

Step 1a

Wood Surface Installation Option

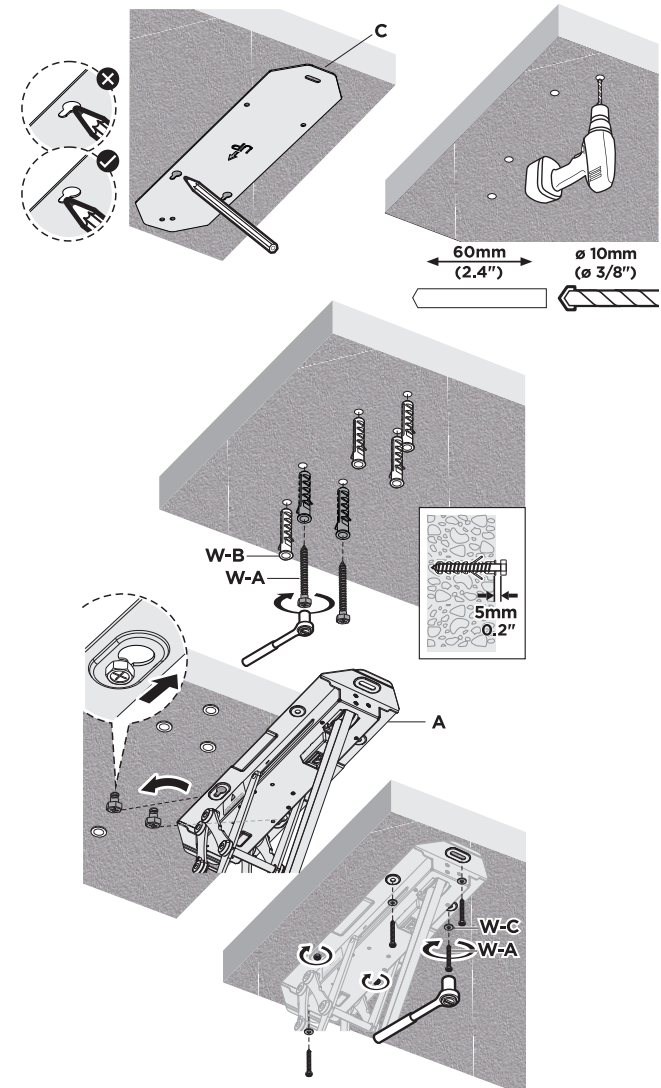
- Hold the Wall Template (#C) in the desired location for installation and use a pencil to mark the locations of the 6 holes through the template.
- Drill a hole in the marked locations using a 3/16" (4.5mm) drill bit to a depth of 2.2" (55mm).
- Install the 2 Lag Screws (#W-A) into the locations shown that correspond with the 2 keyhole shaped holes on the mount, and do not fully tighten the Lag Screws. Leave a gap of approximately 0.2" (5mm) between the ceiling and the bottom of the screw head.
- Hang the Motorized Mount (#A) on the two Lag Screws and slide it forward so that the Screws rest in the smaller end of the channel.
- Install the remaining 4 Lag Screws (#W-A) and Washers (#W-C).



Step 1b

Concrete or Stone Surface Installation Option

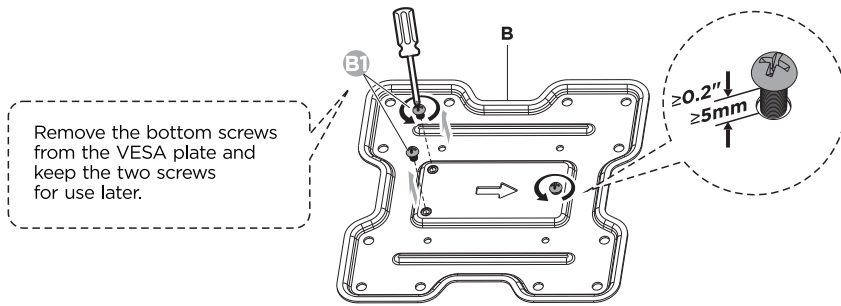
- Hold the Wall Template (#C) in the desired location for installation and use a pencil to mark the locations of the 6 holes through the template.
- Drill a hole in the marked locations using a 3/8" (10mm) drill bit to a depth of 2.4" (60mm).
- Insert all 6 Concrete Anchors (W-B) into the holes. Install the 2 Lag Screws (#W-A) into the locations shown that correspond with the 2 keyhole shaped holes on the mount, and do not fully tighten the Lag Screws. Leave a gap of approximately 0.2" (5mm) between the ceiling and the bottom of the screw head.
- Hang the Motorized Mount (#A) on the two Lag Screws and slide it forward so that the Screws rest in the smaller end of the channel.
- Install the remaining 4 Lag Screws (#W-A) and Washers (#W-C).



Step 2

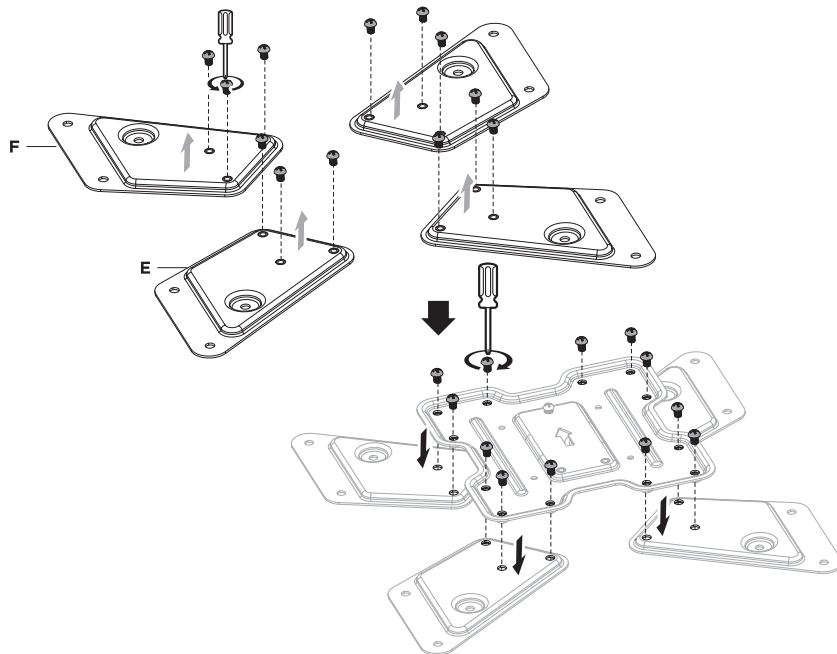
Remove the Security Bolts from the VESA Plate

- Remove the two lower security bolts shown in the image from the VESA plate, and keep them for use later in the installation. Partially loosen the upper bolt so that there is a gap of approximately 0.2" (5mm) between the bottom of the bolt head and the plate.



Optional VESA Extension Arms (For VESA sizes greater than 200x200 only)

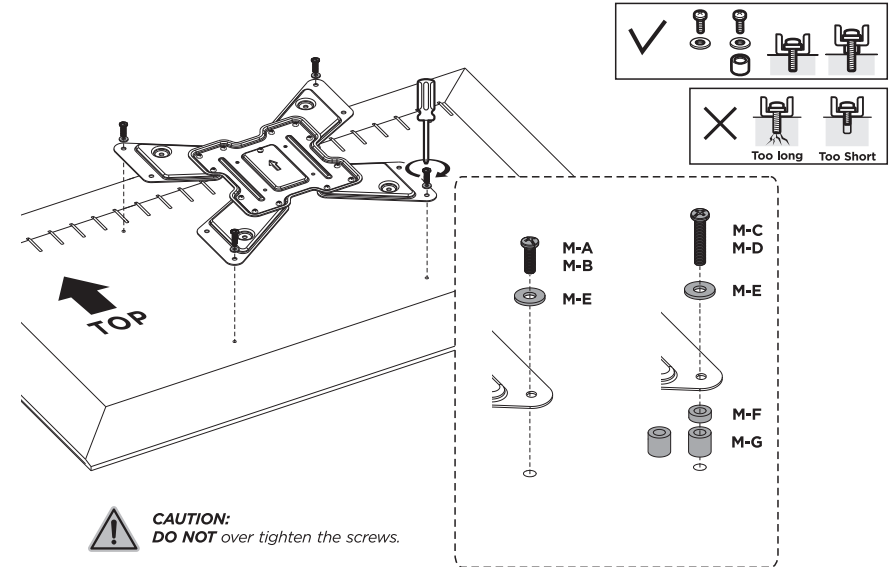
- For TVs with a VESA pattern greater than 200x200, the VESA Extension arms (#F, #E) will need to be installed as shown here. Each of the matching VESA Arms (#F, #E) will need to be installed on opposite corners. Begin by removing the 3 bolts from each of the VESA arms, positioning the arm on the VESA Plate, and securing them in place with the same bolts.



Step 3

Attach the VESA Plate to the TV

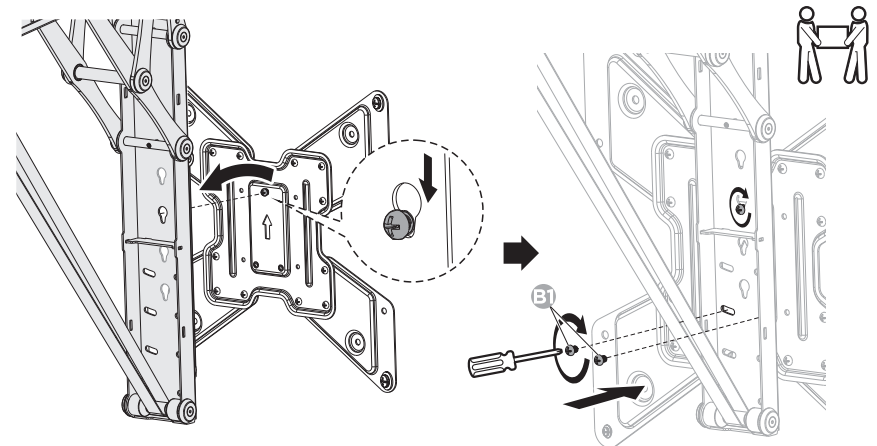
- Lay your TV down on a flat surface and align VESA Plate over the holes.
- Select the appropriate size mounting bolt (#M-A through M-D) and washer (#M-E) for your display's mounting holes and verify the length of the VESA bolt is not too long. If you are unsure of the correct bolt size for your display refer to your TV user manual or contact the TV manufacturer for sizing information. If necessary, use the included spacers (#M-F, M-G) between the mount and the TV to adjust the length of the mounting bolt. Multiple spacers can be used in combination to achieve the desired bolt depth.



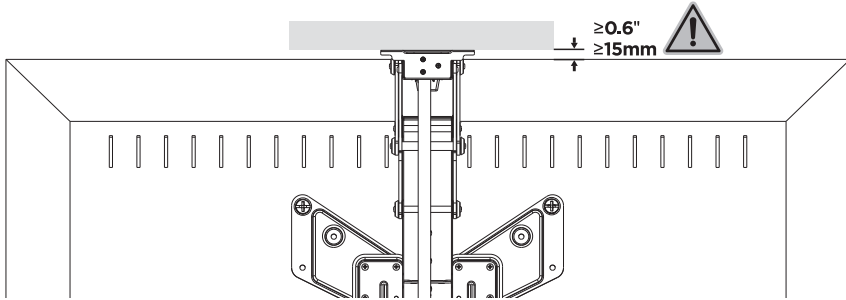
Install the TV to the Motorized Mount

- Hang the TV onto the front of the Mount and ensure that the bolt is fully lowered into the smaller end of the keyhole shaped channel. Re-install the two bolts (removed in step 2) as shown to secure the VESA plate to the mount.

Note: This step may require two persons to safely lift your device.



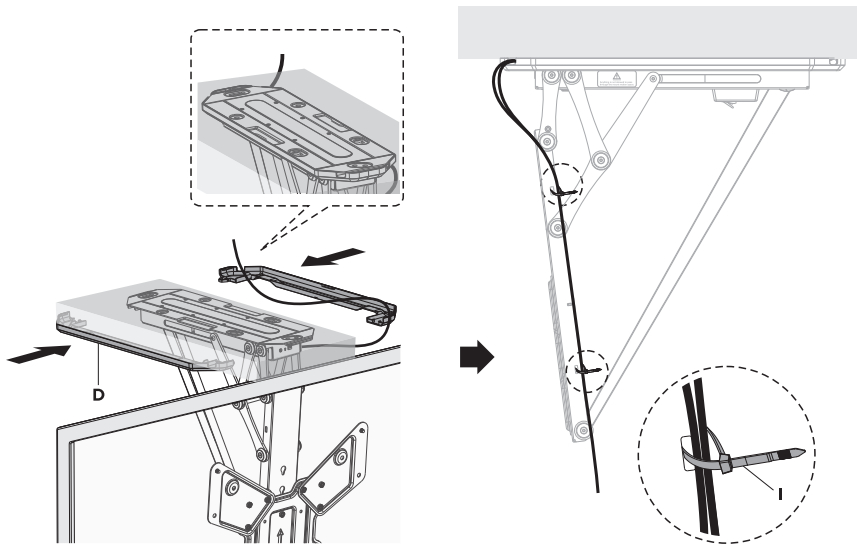
Caution: Ensure there is a minimum gap of 0.6" (15mm) between the ceiling and the top of your TV. Failure to do so may result in damage to the TV or Motorized Mount.



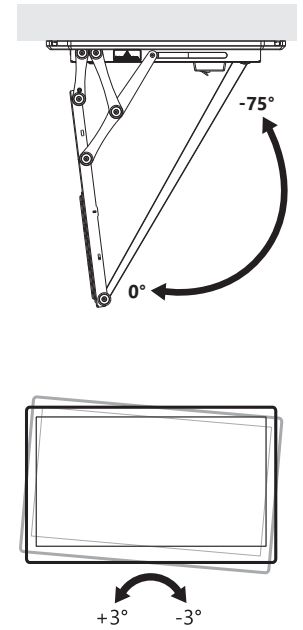
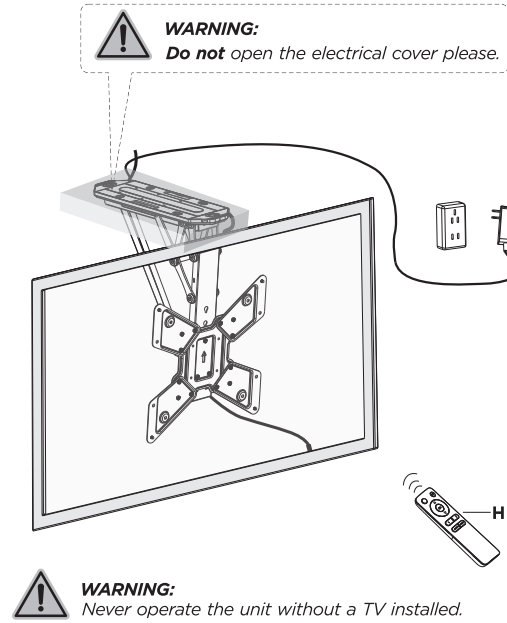
Step 4 Cable Management

- Run any cables through the channels on the Cable Management Covers (#D) and slide the covers into place when done. Use the Cable Management Ties (#I) in the locations shown to keep cables secure and out of the way of the motorized arm. Leave slack in the cable ties so that the cables do not pull tight when the motorized arm moves.

Warning: Keep cables and objects clear of moving parts at all times.



Step 5



Visit us at www.mount-it.com for product registration and warranty information.

Our US based customer service team is standing by to answer any questions you have about your Mount-It! product.

Available by phone **Monday - Friday from 8:00am to 4:00pm** PST.

Chat live with an agent on our website!



support@mount-it.com



(855) 925-5668



www.mount-it.com