

Scan this QR code for product information, videos, and assembly assistance.

## ON-WALL TV CABLE CONCEALER KIT



**HAVE QUESTIONS?**

Monday - Friday from 8:00am - 4:00pm PST



[support@mount-it.com](mailto:support@mount-it.com)



(855) 925-5668



[www.mount-it.com](http://www.mount-it.com)

# Thank you for choosing Mount-It!

**EN** Read the entire instruction manual before you start installation and assembly. If you have any questions regarding any of the instructions or warnings, please contact Mount-It! for assistance.



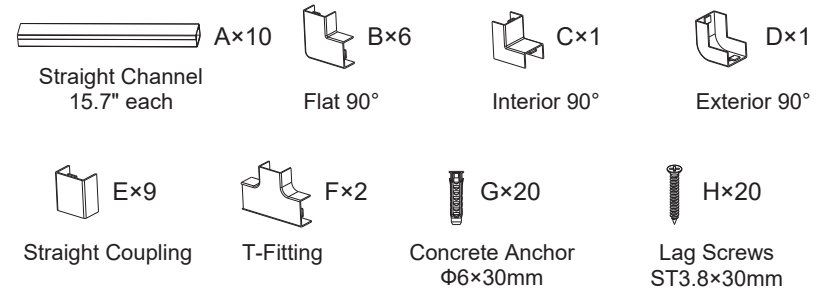
**CAUTION:**

- Please closely follow the assembly instructions. Improper installation may result in damage or serious personal injury.
  - Use the mounting screws provided and **DO NOT OVER TIGHTEN** mounting screws.
  - This product contains small items that could be a choking hazard if swallowed. Keep these items away from children.
  - This product is intended for indoor use only. Using this product outdoors could lead to product failure and personal injury.
- IMPORTANT:** Ensure that you have received all parts according to the component checklist prior to installation. If any parts are missing or faulty, contact Mount-It! for a replacement.
- MAINTENANCE:** Check that the product is secure and safe to use at regular intervals (at least every three months).

## WARNING

1. Due to the extremely sticky nature of the tape, please plan your installation well in advance of installation to avoid removing and reinstalling the cable channel. If it is necessary to unplug the channel, try to soften the bottom of the raceway by heating it with a Hair Dryer (not too high a temperature is recommended) and then gently peel it off.
2. The channels can be cut to a shorter length if needed, please take all proper safety precautions when cutting and beware of possible sharp edges left over.
3. It is not recommended that the channel be mounted on an uneven wall, if you do need to mount on a rough wall, use screw mounting rather than double sided tape.
4. Do not use this product to route uninsulated, exposed, or damaged wiring.
5. This product is intended to route and conceal cables for decorative purposes, it may not be used as a structural cable conduit.

## PACKAGE CONTENTS

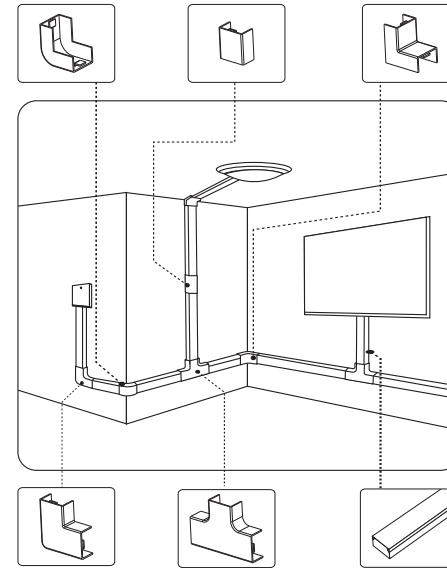


Please refer to the diagram below for instructions on how to use each connector and select your desired mounting method.

**Exterior 90°:**  
Used for turning at external corners.

**Straight Coupling:**  
Used to connect 2 channel to increase the length at internal corners.

**Interior 90°:**  
Used for turning at internal corners.



**Flat 90°:**  
90° bend angle for flat surface

**T-fitting:**  
Used for T-shaped corners

**Straight Channel**

Check carefully to make sure there are no missing or defective parts. Some hardware provided may not be used. Use the correct mounting hardware suitable for your installation.

**CHOKING HAZARD.** Package includes small parts. Not for children under 3 years. Adult supervision is required.

**Missing Parts? Call us at (855) 925-5668 and we will ship replacement parts free of charge.**

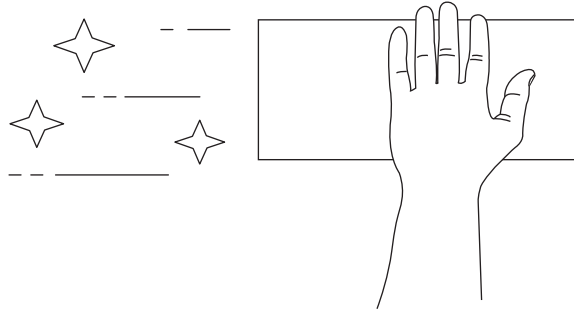
# Installation Option 1: Adhesive Tape

(Not suitable for rough or uneven surfaces)

## Step 1

### Clean the Wall Surface

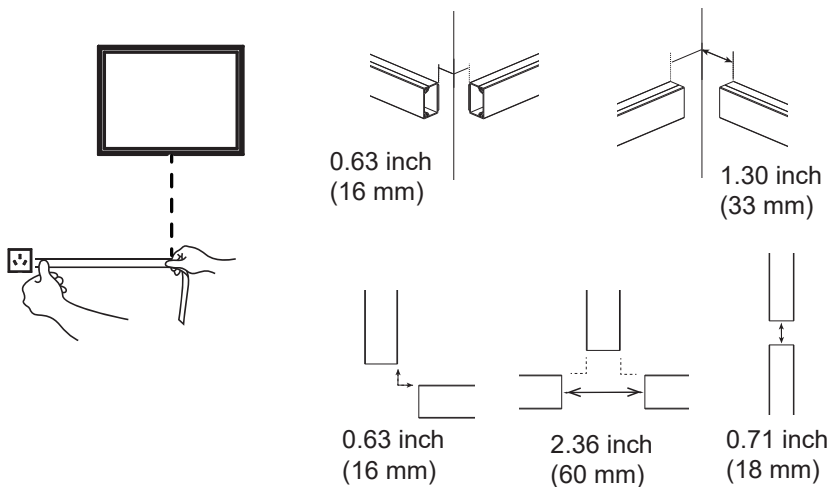
- Wipe the mounting area clean with a cloth or a duster. If the walls were cleaned using a liquid cleaner, allow the surface to fully dry before proceeding.



## Step 2

### Measure

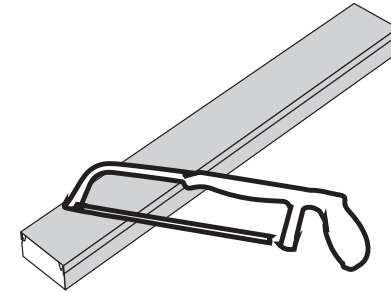
- First, plan the route and mark it with a pencil, then measure the distance and determine the number of cable channels needed and the number of connectors and each type. Refer to the diagram to determine the exact spacing of each connector.
- To each Straight Channel (#A) add additional length to accommodate the connectors used:
  - Add 0.63" (16mm) for each Flat 90° (#B) or Exterior 90° (#D).
  - Add 1.3" (33mm) for each Interior 90° (#C).
  - Add 2.36" (60mm) for each end of the T-Fitting (#F)
  - Add 0.71" (18mm) for each Straight Coupling (#E)



## Step 3

### Optional: Cut the Straight Channel as Needed

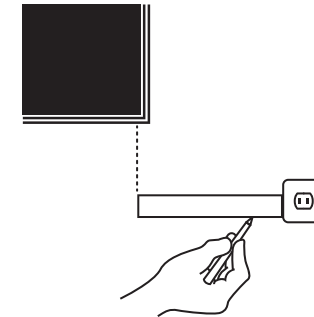
- If any of the Straight Channels (#A) exceed the required length, mark the correct length, and cut in the marked location with a hand saw.



## Step 4

### Determine Final Placement

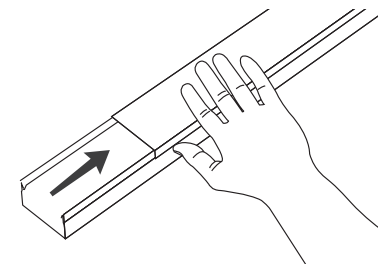
- Using a bubble level to ensure straightness, hold the Straight Channels (#A) in their positions and mark the edge locations with a pencil.



## Step 5

### Remove the Cover

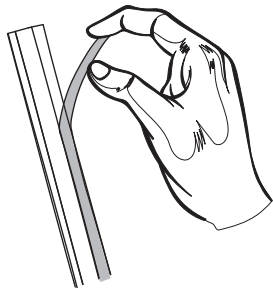
- Remove the cover plates from the Straight Channels (#A) by sliding the top until it separates fully from the bottom piece.



## Step 6

### Remove Adhesive Backing

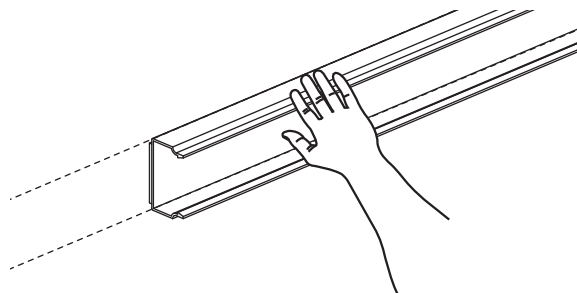
- Remove the adhesive backing from the rear of the Straight Channels (#A) exposing the mounting tape beneath.



## Step 7

### Stick the Channels to the Wall

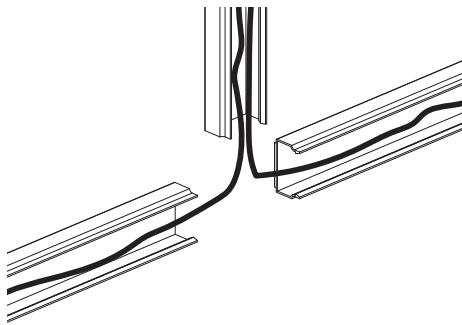
- Align the channels with the markings and press the Straight Channels (#A) firmly in place on the wall.



## Step 8

### Route the Cables

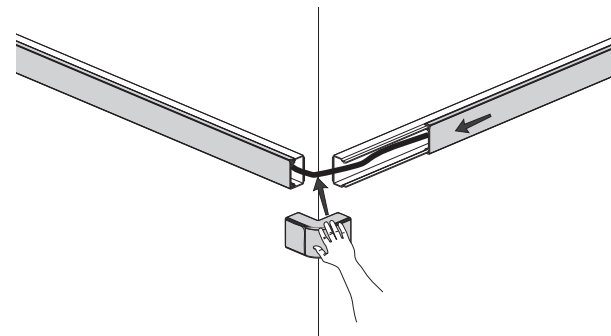
- Route the cables through the channels. If multiple cables are used, ensure they are laid side by side and not overlapping so the cable channel can be closed easily.



## Step 9

### Install the Connectors & Covers

- First, reinstall the covers onto the Straight Channel, then install the connectors onto any corners or turns in your assembly by pressing them into place over the corresponding ends of the channels.



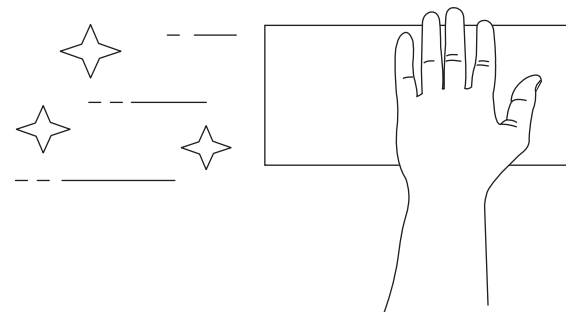
## Installation Option 2: Screws and Concrete Anchors

(Only for stone/concrete walls)

## Step 1

### Clean the Wall Surface

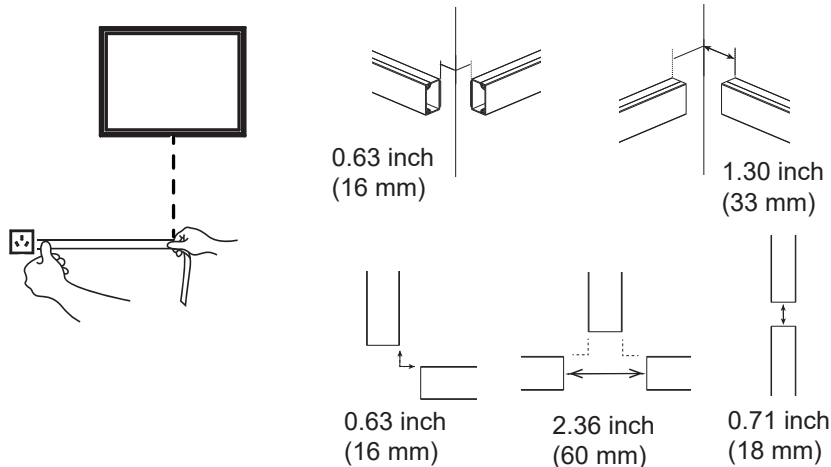
- Wipe the mounting area clean with a cloth or a duster. If the walls were cleaned using a liquid cleaner, allow the surface to fully dry before proceeding.



## Step 2

### Measure

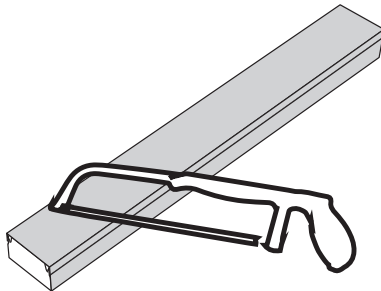
- First, plan the route and mark it with a pencil, then measure the distance and determine the number of cable channels needed and the number of connectors and each type. Refer to the diagram to determine the exact spacing of each connector.
- To each Straight Channel (#A) add additional length to accommodate the connectors used:
  - Add 0.63" (16mm) for each Flat 90° (#B) or Exterior 90° (#D).
  - Add 1.3" (33mm) for each Interior 90° (#C).
  - Add 2.36" (60mm) for each end of the T-Fitting (#F)
  - Add 0.71" (18mm) for each Straight Coupling (#E)



## Step 3

### Optional: Cut the Straight Channel as Needed

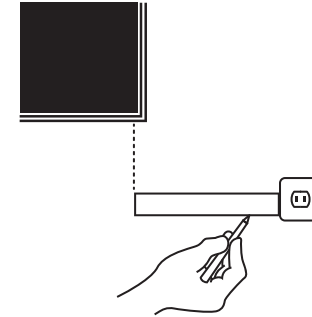
- If any of the Straight Channels (#A) exceed the required length, mark the correct length, and cut in the marked location with a hand saw.



## Step 4

### Determine Final Placement

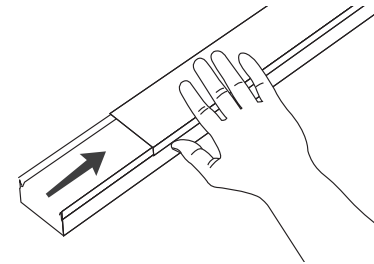
- Using a bubble level to ensure straightness, hold the Straight Channels (#A) in their positions and mark the end positions with a pencil.



## Step 5

### Remove the Cover

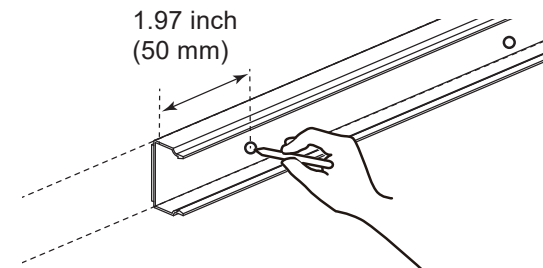
- Remove the cover plates from the Straight Channels (#A) by sliding the top until it separates fully from the bottom piece.



## Step 6

### Mark the Screw Locations

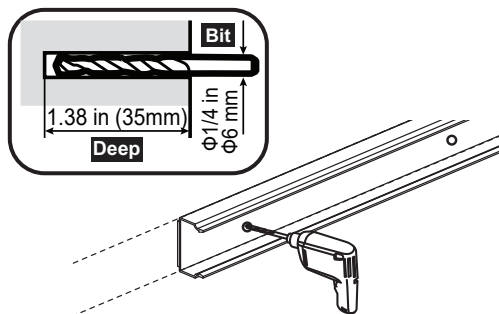
- Using a pencil make a mark centered on each end of the Straight Channels (#A) 1.97" (50mm) from the ends.



## Step 7

### Attach the Channels to the Wall

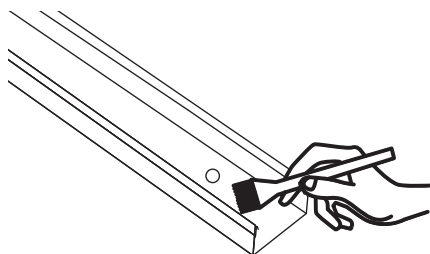
- Align the channels with the markings and hold the Straight Channels (#A) in place on the wall. Drill holes in the marked locations using a 1/4" drill bit (6mm) to a depth of 1.38" (35mm).



## Step 8

### Clean Any Dust

- Remove the channel from the wall and clean any dust.

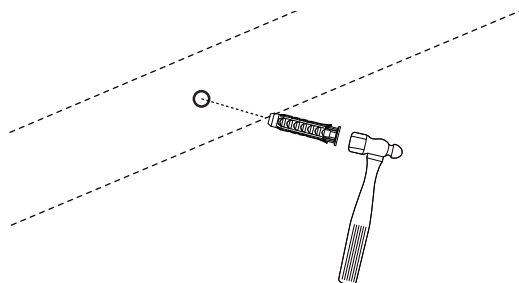


## Step 9

### Insert Concrete Anchors

- Insert the Concrete Anchors (#G) until they are fully inserted into the drilled holes. This may require a hammer to tap them fully into place.

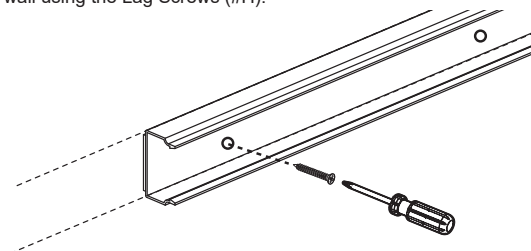
**WARNING: Concrete anchors are for solid stone and concrete use only and are not suitable for use with drywall or wood studs.**



## Step 10

### Mount the Channels

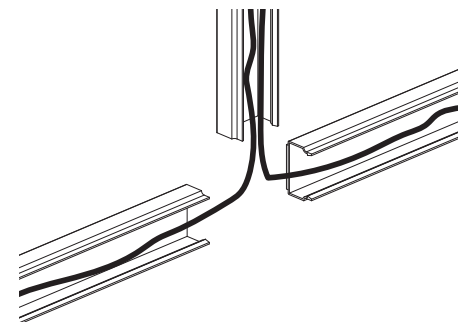
- Hold the Straight Channels (#A) to the wall and align them with the concrete anchors. Attach the channels to the wall using the Lag Screws (#H).



## Step 11

### Route the Cables

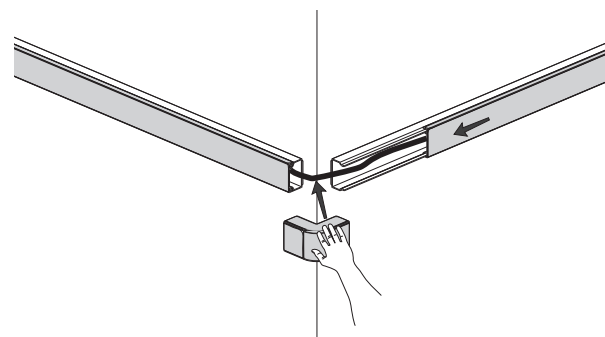
- Route the cables through the channels. If multiple cables are used, ensure they are laid side by side and not overlapping so the cable channel can be closed easily.



## Step 12

### Install the Connectors & Covers

- First, reinstall the covers onto the Straight Channel, then install the connectors onto any corners or turns in your assembly by pressing them into place over the corresponding ends of the channels.



Visit us at [www.mount-it.com](http://www.mount-it.com) for product registration and warranty information.

---

Our US based customer service team is standing by to answer any questions you have about your Mount-It! product.

Available by phone **Monday - Friday from 8:00am to 4:00pm** PST.

*Chat live with an agent on our website!*



[support@mount-it.com](mailto:support@mount-it.com)



(855) 925-5668



[www.mount-it.com](http://www.mount-it.com)