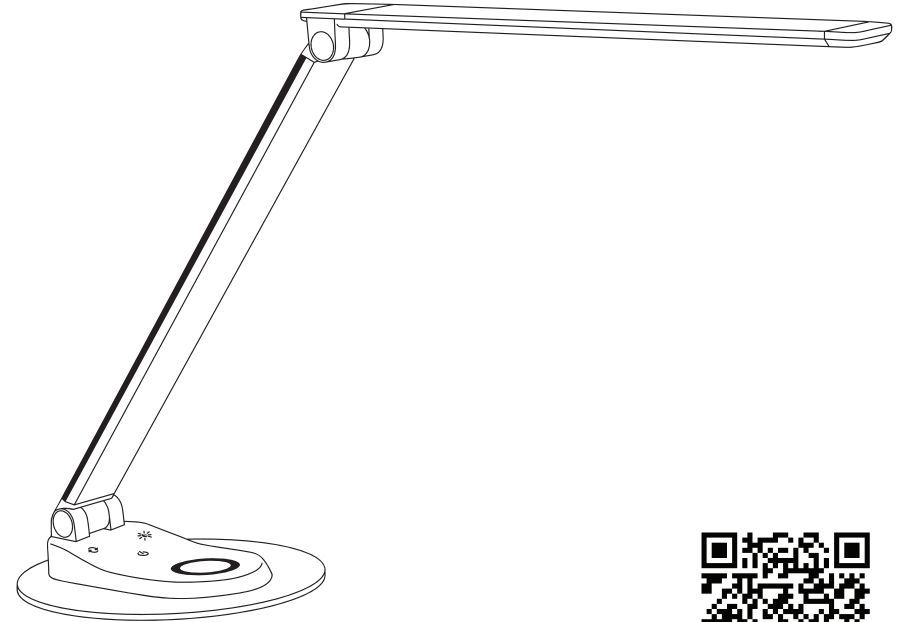


This device complies with Part 15 of the FCC Rules. Operation is subject to the following two conditions: (1) this device may not cause harmful interference, and (2) this device must withstand any interference received, including interference that may cause undesired operation.



Please scan this QR code to visit the product page.

LED DESK LAMP WITH WIRELESS CHARGING



HAVE QUESTIONS?

Monday - Friday from 5:00am - 5:00pm PST

Visit us at www.mount-it.com for product registration and warranty information.

Our US based customer service team is standing by to answer any questions you have about your Mount-It! product.



support@mount-it.com

Available by phone **Monday - Friday from 5:00am - 5:00pm PST.**



(855) 925-5668

Chat live with an agent on our website!



www.mount-it.com



support@mount-it.com



(855) 925-5668



www.mount-it.com

Product Features

- Ultrathin, minimalist design
- Energy efficient LED
- 5 levels of adjustable color temperature and brightness
- Memory function
- Convenient USB C port

Package Contents

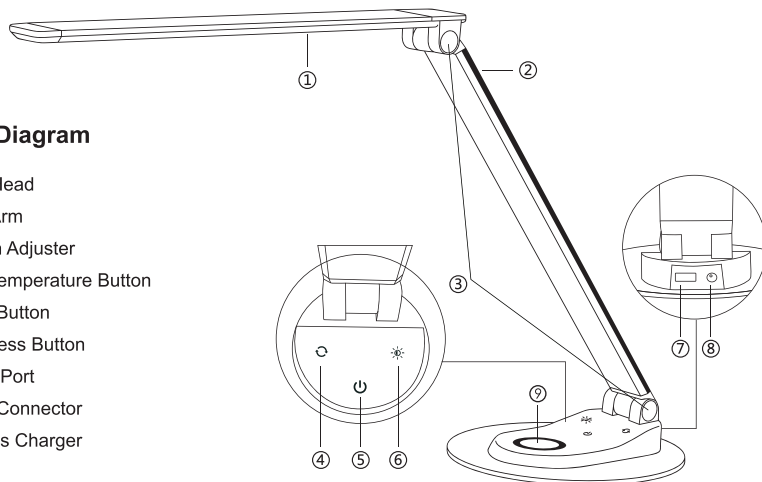
- 1 x LED Desk Lamp
- 1 x Power Adapter
- 1 x User Guide

Specifications

Model	TZ-021W
Operating Voltage	DC 12V / 3A
USB C Output	DC 5V / 2A
Power	9W
CRI Wireless Charger	>80
Wireless Charger	10W
Average Illumination	>= 750 Lux


Product Diagram

- ① Lamp Head
- ② Lamp Arm
- ③ Tension Adjuster
- ④ Color Temperature Button
- ⑤ Power Button
- ⑥ Brightness Button
- ⑦ USB C Port
- ⑧ Power Connector
- ⑨ Wireless Charger



How to Use

Power Button

Tap the  to turn on / off the lamp. It will automatically remember your last brightness and color temperature selection when turned on.

Color Temperature Button

Tap the  button to adjust and cycle through the 5 color temperatures.

Brightness Adjustment Button

Tap the  button to adjust and cycle through the 5 levels of brightness.

Wireless Charger

Place a compatible phone on the charging pad to begin charging.

Caution

- Use only the supplied AC power adapter.
- Please do not dismantle the product by yourself, always ask a professional electrician or authorized technician for repairs.
- If you smell a bad odor or anything unusual, please turn off the unit immediately.
- Please do not remove the power plug with wet hands as it may cause electrical shock.
- It is not a toy. Keep away from children.
- Do not put this unit near any heat source or under direct sunlight.
- Clean the unit on a regular basis.
- Please store in a dry and shady place.

Troubleshooting Guide

Problem	Possible Cause	Solution
The lamp does not light up	No power supply	Plug in the power adapter
	Did not press the Power Button	Refer to the How to Use section
The touch panel is not responsive	Hands are wet	Tap the panel with dry hands
	Voltage fluctuation causing panel failure	Disconnect power to restart the lamp
LED failure	LED component failed	Please contact the Support Team
Bad smell	Power adapter failed	Please contact the Support Team
	Short circuited	Please contact the Support Team