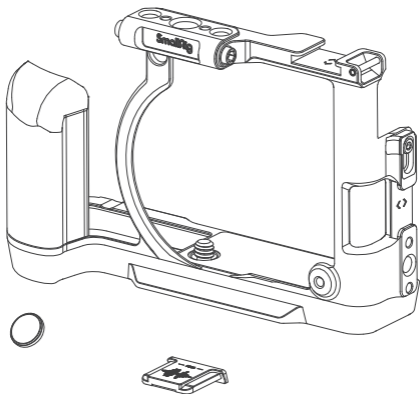


# SmallRig



## "Retro" Cage for FUJIFILM X100VI

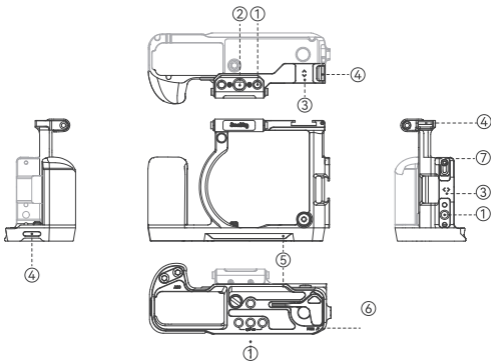
Operating Instruction

- Thank you for purchasing SmallRig's product.
- Please read this Operation Guide carefully.
- Please follow the safety warnings.

## In the Box

- |                           |     |
|---------------------------|-----|
| 1. Cage                   | × 1 |
| 2. Hot Shoe Cover         | × 1 |
| 3. Shutter Release Button | × 1 |

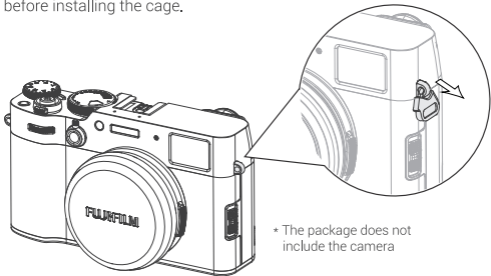
## Product Details



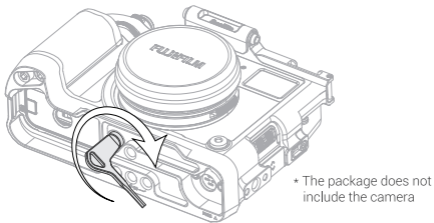
- |                         |                              |                    |
|-------------------------|------------------------------|--------------------|
| ① 1/4"-20 Threaded Hole | ② ARRI 3/8"-16 Locating Hole | ③ Cold Shoe Mount  |
| ④ Strap Slot            | ⑤ Arca-Swiss Plate           | ⑥ Dual Head Wrench |
| ⑦ Locating Block        |                              |                    |

## Cage Installation

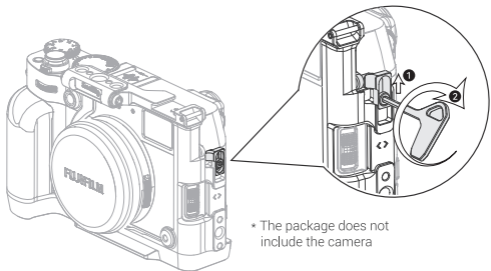
Remove the D-ring on the right side of the camera before installing the cage.



Step1: Install the camera into the cage from behind and lock the cage by tightening the 1/4"-20 screw with a dual head wrench.



Step2: Loosen the screw, push the locating block upward toward the shoulder strap slot, and tighten the screw.



## Specifications

Compatibility	富士 X100VI
Product Dimensions	137.2 × 53.6 × 92.3mm / 5.4 × 2.1 × 3.6in
Product Weight	133 ± 5g / 4.7 ± 0.2oz
Material (s)	Aluminum Alloy, Wooden