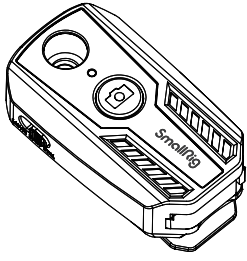


SmallRig



Wireless Remote Controller  
for Select Sony / Canon / Nikon Cameras

User Manual

Thank you for purchasing SmallRig's product.

**Warnings**

- Do not dismantle it at random as it contains electronic components and do not drop or crash it.
- Keep it out of the reach of children.
- Please avoid high temperature and high humidity when storing or using this product.
- If you have any questions, please contact the platform for after-sales services.



Please do not disassemble the product. If you have any question, please contact the seller to apply after-sales service.

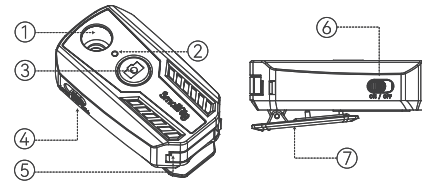
**In the Box**

- Remote Control × 1
- CR2032 Battery × 2
- User Manual × 1
- 1/4"-20 Screw × 1
- Allen Wrench × 1

**Compatibility**

Sony: Alpha 7R V / Alpha 7R IV / Alpha 7R III / Alpha 7 IV / Alpha 7 III / Alpha 7S III / Alpha 7C / Alpha 9 II / Alpha 9 / Alpha A1 / FX3 / FX30 / Alpha 6700 / Alpha 6600 / Alpha 6100 / Alpha 6400 / ZV-E1 / ZV-E10 / ZV-1 II / ZV-1 / ZV-1F / DSC-RX100M7  
 Canon: EOS R5 / R6 Mark II / R6 / R7 / R8 / R10 / R / RP / R50 / M6 Mark II / M50 / 90D  
 Nikon: Z 50 / Z fc / Z 30

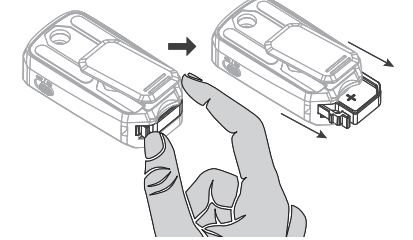
**Product Details**



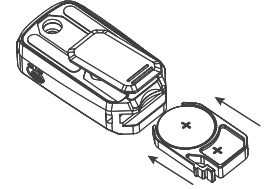
- ① 1/4"-20 Threaded Hole
- ② Status Indicator
- ③ Shutter (half-press for autofocus) / Record Button
- ④ Mode Switch
- ⑤ Battery Compartment
- ⑥ Power Switch
- ⑦ Clip with Cold Shoe Mount

**Preparation Before Use**

Step①: Press the position as shown to remove the battery compartment.



Step②: Install the included battery with the "+" pole facing up.



**Pairing Steps**

Brand	Sony	Nikon	Canon	Canon	Canon
Compatibility	Alpha 7R V / Alpha 7R IV / Alpha 7R III / Alpha 7 IV / Alpha 7 III / Alpha 7S III / Alpha 7C / Alpha 9 II / Alpha 9 / Alpha A1 / FX3 / FX30 / Alpha 6700 / Alpha 6600 / Alpha 6100 / Alpha 6400 / ZV-E1 / ZV-E10 / ZV-1 II / ZV-1 / ZV-1F / DSC-RX100M7	Z 50 / Z fc / Z 30	EOS R5 / R6 / R7 / R10 / M6 Mark II / 90D	EOS R6 Mark II / R8 / R50	EOS R / RP / M50
Pairing steps	① Adjust the remote control power switch to [ON], the status indicator flashes and then goes out, confirm the mode switch adjustment to [LOCK] ② Adjust the camera settings a. Select MENU — [Network] — [Transfer / Remote] — [BLE Rmt Ctrl] — [On] b. Select MENU — [Network] — [BLE function] — [On] c. Select MENU — [Network] — [BLE Settings] — [Pairing] ③ Press and hold the remote control shutter / record button until the indicator flashes and the camera screen prompts [ Allow connection from the device? Connected device: SR-RC3], select [OK] ④ When pairing is complete, [Paired] appears, select [OK] ⑤ Combined with the actual shooting needs, adjust the remote control mode switch to [STILL] (shutter) or [MOVIE] (record)	① Adjust the remote control power switch to [ON], the status indicator flashes and then goes out, confirm the mode switch adjustment to [LOCK] ② Adjust camera settings a. Select MENU — [SETUP MENU] — [Wireless remote (ML-L7) options] — [ON] b. Select MENU — [SETUP MENU] — [Wireless remote (ML-L7) options] — [Save wireless remote controller] ③ Press and hold the shutter / record button on the remote control until the light flashes rapidly and then release it ④ After successful pairing, the screen prompts [Wireless remote controller is saved] ⑤ Combined with the actual shooting needs, adjust the remote control mode switch to [STILL] (shutter) or [MOVIE] (record) <b>Note: The remote control mode needs to be the same as the camera mode, and the shutter/record button does not support the half-press autofocus function.</b>	① Adjust the remote control power switch to [ON], the status indicator flashes and then goes out, confirm the mode switch adjustment to [LOCK] ② Adjusting camera settings a. Select MENU — [BLE settings] — [Enable] b. Select MENU — [BLE connection] — [Connect to Wireless Remote] — [Add a device to connect] The camera screen prompts [Pairing in progress. Start pairing on the Wireless Remote.] ③ Press and hold the remote shutter / record button until the indicator flashes and the camera screen indicates [ Paired with: SR-RC3], select [OK] to complete the pairing ④ Combined with the actual shooting needs, adjust the remote control mode switch to [STILL] (shutter) or [MOVIE] (record). If you choose [STILL] mode, on the camera home page select [SET] — [Drive mode] — [Self-timer: 10sec/remote] or [Self-timer: 2sec/remote] <b>Note: The remote control mode needs to be the same as the camera mode.</b>	① Adjust the remote control power switch to [ON], the status indicator flashes and then goes out, confirm the mode switch adjustment to [LOCK] ② Adjust camera settings a. Select MENU — [Communication functions] — [BLE settings] — [Enable] b. Select MENU — [Communication functions] — [Connect to Wireless Remote] — [Add a device to connect to] The camera screen prompts [Pairing in progress. Start pairing on the Wireless Remote.] ③ Press and hold the remote shutter / record button until the indicator flashes and the camera screen indicates [ Paired with: SR-RC3], select [OK] to complete the pairing ④ Combined with the actual shooting needs, adjust the remote control mode switch to [STILL] (shutter) or [MOVIE] (record). If you choose [STILL] mode, on the camera home page select [SET] — [Drive mode] — [Self-timer: 10sec/remote] or [Self-timer: 2sec/remote] <b>Note: The remote control mode needs to be the same as the camera mode.</b>	① Adjust the remote control power switch to [ON], the status indicator flashes and then goes out, confirm the mode switch adjustment to [LOCK] ② Adjust camera settings a. Select MENU — [Function settings] — [Wireless communication settings] — [BLE function] — [Remote] b. Select MENU — [Wireless communication settings] — [BLE function] — [Pairing] The camera screen prompts [Pairing in progress. Start pairing on the Wireless Remote.] ③ Press and hold the remote shutter / record button until the indicator flashes and the camera screen indicates [ Paired with: SR-RC3], select [OK] to complete the pairing ④ Combined with the actual shooting needs, adjust the remote control mode switch to [STILL] (shutter) or [MOVIE] (record). If you choose [STILL] mode, on the camera home page select [SET] — [Drive mode] — [Self-timer: 10sec/remote] or [Self-timer: 2sec/remote] <b>Note: The remote control mode needs to be the same as the camera mode.</b>
Q&A①: Unable to pair or failed to pair	① Confirm that the remote control mode switch has been adjusted to [LOCK] ② Restart the controller and camera setting [BLE Function], and then repeat the procedure all over again ③ Check if the camera's firmware is the most updated one	① Confirm that the mode switch of the remote control has been adjusted to [LOCK] ② If the camera is already connected to other wireless remote control, you need to delete the connection information before connecting to the new device Select MENU — [SETUP MENU] — [Wireless remote (ML-L7) options] — [Delete wireless remote controller] ③ Restart the camera and remote control ④ Check if the camera's firmware is the most updated one	① Confirm that the remote control mode switch has been adjusted to [LOCK] ② If the camera is already connected to other wireless remote control, you need to delete the connection information before connecting to the new device. Select MENU — [BLE connection] — [Connect to Wireless Remote] — [Delete connection information] — [OK]. Follow the pairing steps to re-pair ③ Restart the camera and remote control ④ Check if the camera's firmware is the most updated one	① Confirm that the remote control mode switch has been adjusted to [LOCK] ② If the camera is already connected to other wireless remote control, you need to delete the connection information before connecting to the new device Select MENU — [Communication functions] — [Connect to Wireless Remote] — [Delete connection information] — [OK]. Follow the pairing steps to repair ③ Restart the camera and remote control ④ Check if the camera's firmware is the most updated one	① Confirm that the remote control mode switch has been adjusted to [LOCK] ② If the camera is already connected to other wireless remote control, you need to delete the connection information before connecting to the new device Select MENU — [Wireless communication settings] — [BLE function] — [check / clear connection info] — [Clear settings]. Follow the pairing steps to repair ③ Restart the camera and remote control ④ Check if the camera's firmware is the most updated one
Q&A②: Does not work after successful pairing	① Make sure the remote control mode switch is adjusted to [STILL] or [MOVIE] ② Confirm the setting on the camera, select MENU — [Network] — [Transfer / Remote] — [BLE Rmt Ctrl] and make sure that [On] is selected ③ Check if the memory card is full. If it is full, replace the memory card. When the memory card is full, the camera does not respond when you press the shutter / record button	① Make sure the remote control and camera are in the same mode [STILL] or [MOVIE] ② Check if the memory card is full. If it is full, replace the memory card. When the memory card is full, the camera does not respond when you press the shutter / record button	① Confirming the setting on the camera, select MENU — [Network] — [Transfer/Remote] — [BLE Rmt Ctrl] and make sure that [On] is selected ② Check that the remote control and camera are in the same mode. If you choose [STILL] mode, make sure the camera home page — [SET] — [Drive mode] — [Self-timer: 10sec/remote] or [Self-timer: 2sec/remote] is selected ③ Check if the memory card is full. If it is full, replace the memory card. When the memory card is full, the camera does not respond when you press the shutter / record button	① Confirming the setting on the camera, select MENU — [Communication functions] — [BLE settings] and make sure that [Enable] is selected ② Check that the remote control and camera are in the same mode. If you choose [STILL] mode, make sure the camera home page — [SET] — [Drive mode] — [Self-timer: 10sec/remote] or [Self-timer: 2sec/remote] is selected ③ Check if the memory card is full. If it is full, replace the memory card. When the memory card is full, the camera does not respond when you press the shutter / record button	① Check that the remote control and camera are in the same mode. If you choose [STILL] mode, make sure the camera home page — [SET] — [Drive mode] — [Self-timer: 10sec/remote] or [Self-timer: 2sec/remote] is selected ② Check if the memory card is full. If it is full, replace the memory card. When the memory card is full, the camera does not respond when you press the shutter / record button

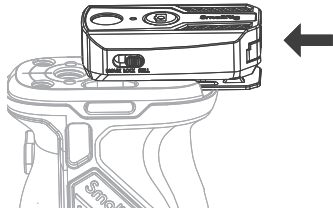
**Indicator Light Description**

- Battery power 20% ~ 100%: blue light
- Battery power 10% ~ 20%: red light
- Battery power <10%: red light flashing

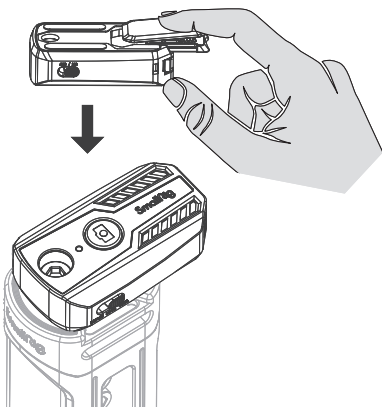
**Remote Control Mounting**

① Clip with Cold Shoe Mount installation:

Through the Clip with Cold Shoe Mount, clamping the equipment with its built-in cold shoe.



② 1/4"-20 screw installation: After removing the Clip with Cold Shoe Mount, fix the remote control to the built-in 1/4"-20 threaded hole device via a 1/4"-20 screw.



**Attention**

- ① The remote control connection procedure may vary from camera to camera, please refer to the remote control section in the camera manual for details.
- ② The Bluetooth connection range of 100cm / 32.8in is an estimation, which depends on your surroundings.
- ③ A remote control can only be paired with one camera, if you need to control another camera, refer to the pairing procedure to pair the remote control with the camera you need to control, and the previous camera will be unpaired automatically.
- ④ After successful pairing, the camera and the remote control will connect automatically when the camera and remote control is switched on.
- ⑤ Please turn off the Power Switch when not in use.

**Specifications**

Operating Voltage	3.0V
Operating Current	≤5mA
Battery Parameters	3.0V 220mAh 0.72Wh
Control Range	about 10m
Operating Temperature	-10° ~ 45°
Product Dimensions	53.2 × 32.4 × 22.5mm
Net Weight	18 ± 5g
Material(s)	ABS + PC

The data above comes from SmallRig laboratory and may be subject to changing test environment.