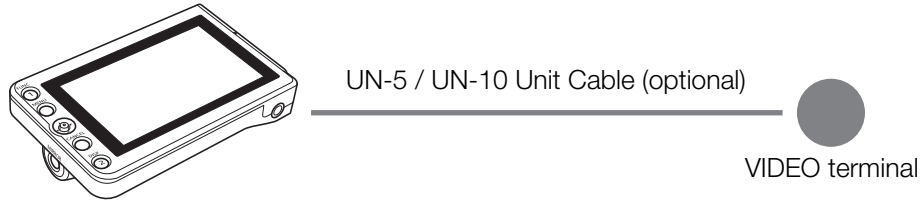


Monitoring

LM-V1 / LM-V2 LCD Monitor

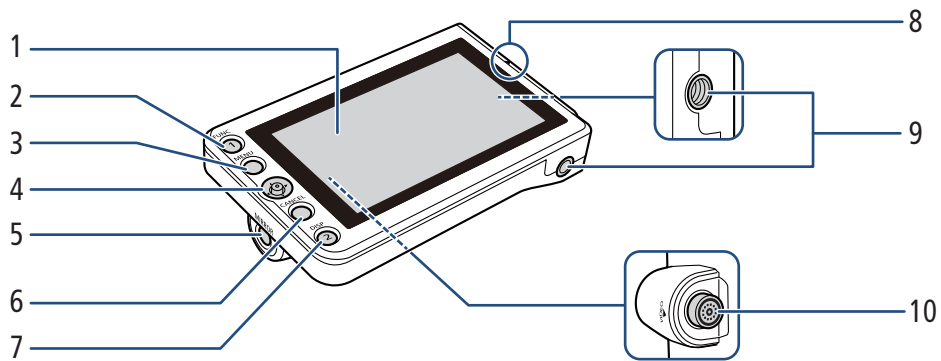
Connect the LCD monitor to the camera to add a large monitoring screen with touch screen operations (touch to focus), menu operation buttons and joystick and two assignable buttons.

For details on how to attach and use the LCD monitor, see the instruction manual of the camera being used.



An optional attachment unit is also required to attach the monitor to the camera.

Names of Parts



- 1 LCD panel with touch screen
- 2 FUNC (main functions) button / Assignable button LCD LM-V1/V2 1
- 3 MENU button
- 4 Joystick
- 5 MIRROR (invert the displayed image) button
- 6 CANCEL button

- 7 DISP (display) button / Assignable button LCD LM-V1/V2 2
- 8 LCD monitor's position alignment mark ▲
- 9 Screw holes for 1/4"-20 screws (11.2 mm (0.44 in.) deep, x2)
- 10 VIDEO terminal

Attaching the LCD Monitor

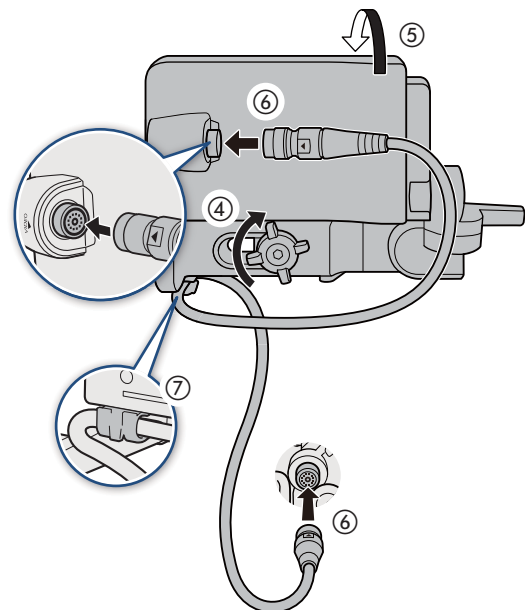
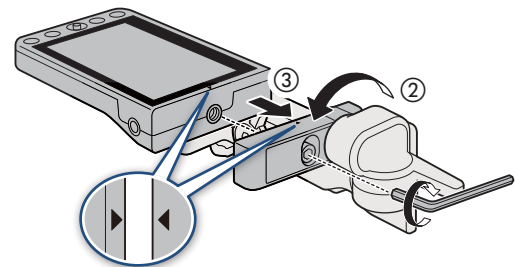
■ About the LCD Attachment Unit

Use the optional LA-V1 or LA-V2 LCD Attachment Unit to attach the LCD monitor to the handle unit or to the camera's body itself. For details see the instruction manual of the camera being used.

		LCD Monitor	
		LM-V1	LM-V2
LCD Attachment Unit	LA-V1	●	—
	LA-V2	—	●

■ Attaching the LCD Monitor to the Handle Unit

1. Turn off the camera.
2. On the LCD attachment unit, rotate the LCD monitor mount in the direction of the locking knob to make the LCD monitor fixation bolt accessible.
3. Attach the LCD monitor to the LCD monitor mount.
 - Align the ▲ marks on the monitor and monitor mount. If necessary, you can also mount the LCD monitor facing the other way around.
 - Tighten the LCD monitor fixation bolt using the hex wrench for 0.64 cm, 1/4" screws.
4. Attach the LCD attachment unit to the handle unit.
 - Align the attachment mount on the LCD attachment unit to the handle unit's front accessory mount.
 - Tighten the locking knob firmly.
5. Rotate the LCD monitor 90 degrees toward the handle unit.
6. Connect the LCD monitor to the camera's VIDEO terminal using the UN-5 Unit Cable.
 - Align the ▲ marks on the cable's plugs and terminals.
7. Put the cable through the LCD attachment unit's cable clamp.
 - If necessary, adjust the position of the cable so that it does not get in the picture or obstruct the view.





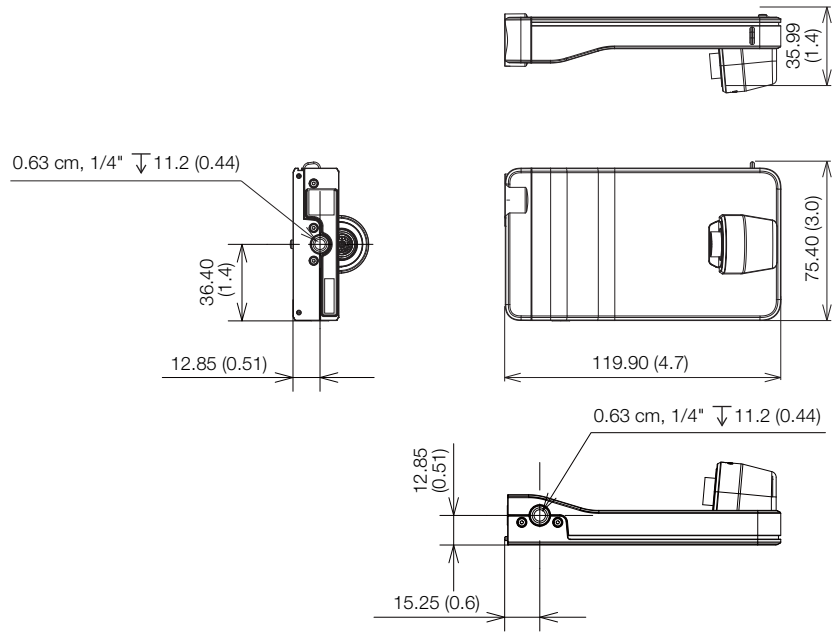
- Depending on the situation, the screws may become loose. If necessary, use the hex wrench for 0.64 cm, 1/4" screws to tighten them.
- Maintenance of the LCD screen
 - Clean the LCD screen using a clean, soft lens-cleaning cloth and commercially available cleaning fluid for eyeglasses.
 - Condensation may form on the surface of the screen when the temperature changes suddenly. Wipe it with a soft dry cloth.

Specifications

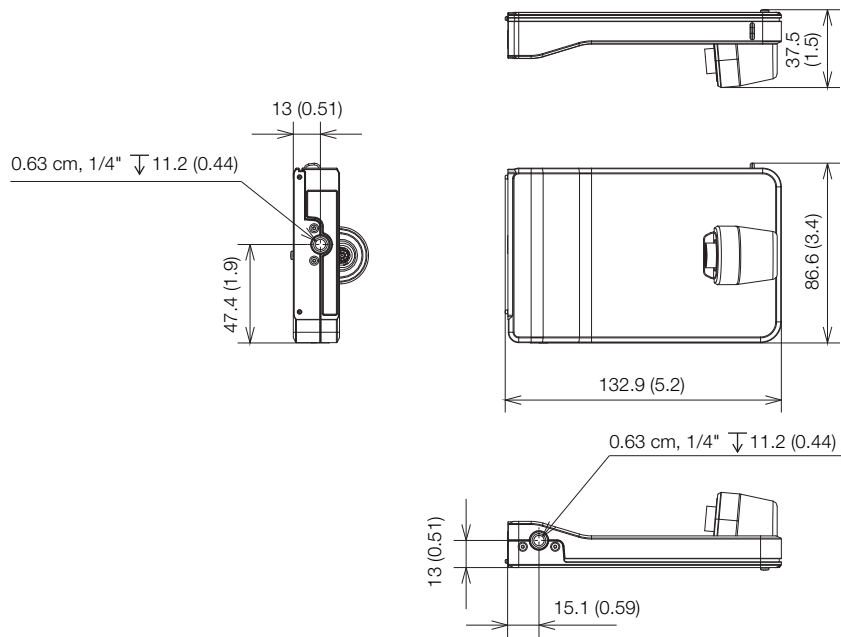
		LCD Monitor	
		LM-V1	LM-V2
Screen	Type	Color LCD	
	Size	10.1 cm (4.0 in.)	10.9 cm (4.3 in.)
	Approximate dot count	1,230,000	2,760,000
	Aspect ratio	16:9	
	Coverage	100%	
	Touch screen	Capacitive touch screen operation	
VIDEO terminal	Exclusively for connecting the camera		
Operating temperature	0 °C – 40 °C (32 °F – 104 °F)		
Dimensions* (W x H x D)	120 x 75 x 37 mm (4.7 x 3.0 x 1.5 in.)	133 x 87 x 38 mm (5.2 x 3.4 x 1.5 in.)	
Weight*	185 g (6.5 oz.)	204 g (7.2 oz.)	

* All dimensions and weights are approximate.

■ LM-V1 Detailed Measurements



■ LM-V2 Detailed Measurements



mm (inches)