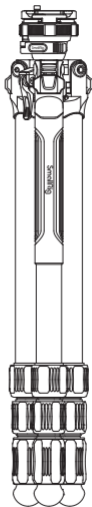


# SmallRig

## FreeSpeed Travel Tripod

User Manual



In order to ensure user's safety and prevent the product damages caused by any improper use, please carefully read the "Warnings" below and properly keep this User Manual for future reference.

## Foreword

Thank you for purchasing SmallRig's product.

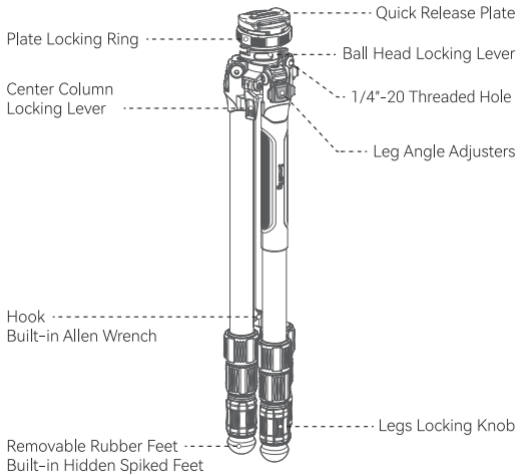
## Warnings

- Please read this User Manual carefully.
- Please keep the user manual properly, and be sure to attach this user manual when handing over the product to others.
- Please heed all warnings and follow all instructions in the owner's manual.

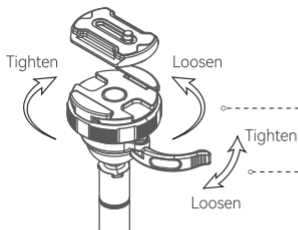
## In the Box

Tripod Kit	× 1
Allen Wrench	× 1
Carrying Bag	× 1
Smartphone Holder	× 1
User Manual	× 1

## Product Details



## Usage

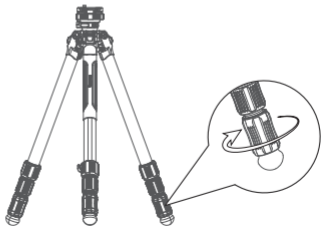


Turn the Plate Locking Ring counter-clockwise to remove the QR Plate and clockwise to tighten it

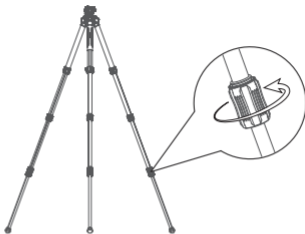
Pull out the Ball Head Locking Lever to loosen the ball head, and push the Lever back to tighten it

## Extending Tripod Legs

- ① Turn the Legs Locking Knob to loosen the legs.

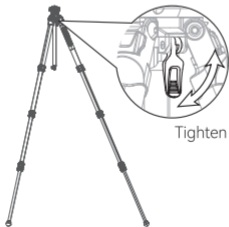


- ② Extend the legs, tighten the Leg Locking Knob.



## Adjusting the Center Column

- ① Loosen Center Column Locking Lever to adjust the height of the center column.



## Using the Short Center Column

① Press the locking button on the Hook to remove it.

The Hook comes with a built-in Allen Wrench.

② Use the Allen Wrench to remove the Short Center Column.

③ Insert the Short Center Column.

