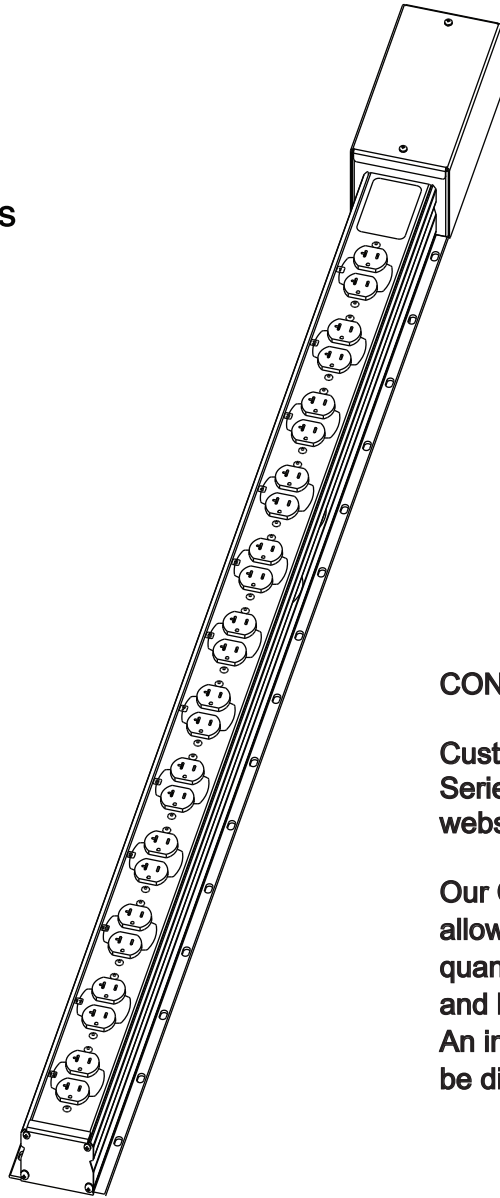


INSTRUCTION SHEET PDW SERIES

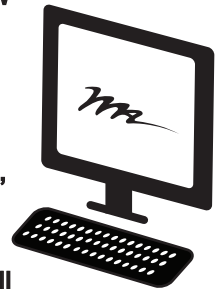
HIGH CAPACITY VERTICAL POWER STRIP



CONFIGURATOR SOFTWARE SAVES TIME!

Customize and order your PDW Series Power Strip through our website, middleatlantic.com.

Our Configurator Software allows you to define outlet type, quantity, circuits, groupings and length - up to 84 inches. An image of your powerstrip will be displayed.



THANK YOU

Thank you for purchasing the PDW Series High Capacity Vertical Power Strip. Please read these instructions thoroughly before installing this product.

PRODUCT FEATURES

- Up to Twenty, 15 AMP or 20 AMP Circuits
- Up to Eight, 30 AMP Circuits
- Custom configurations quickly available
- Circuits are identified on both the receptacles and the wires
- External ground stud for rack and equipment bonding
- Custom length flexible metallic conduit tails available (J-Box standard) to accommodate jobsite conditions.
- Standard and Isolated Ground available
- Receptacles types include: standard, twist-lock, isolated ground, and multiple colors
- Hospital grade receptacles available upon request

IMPORTANT SAFETY INSTRUCTIONS

- Read these instructions
- Keep these instructions
- Heed all warnings
- Follow all instructions
- Do not use this apparatus near water
- Clean only with dry cloth
- Protect the power cord from being walked on or pinched particularly at plugs, receptacles, and the point where they exit from the apparatus
- Only use attachments/accessories specified by the manufacturer
- Refer all servicing to qualified service personnel. Servicing is required when the apparatus has been damaged in any way, such as power-supply cord or plug is damaged, liquid has been spilled or objects have fallen into the apparatus, the apparatus has been exposed to rain or moisture, does not operate normally, or has been dropped.



DANGEROUS VOLTAGE

The lightning flash with the arrowhead symbol, within an equilateral triangle is intended to alert the user to the presence of uninsulated dangerous voltage within the product's enclosure that may be of sufficient magnitude to constitute a risk of electric shock to persons



ATTENTION

The exclamation point within an equilateral triangle is intended to alert the user to the presence of important operating and maintenance (servicing) instructions in the literature accompanying the appliance

- **WARNING: TO REDUCE THE RISK OF AN ELECTRIC SHOCK, DO NOT EXPOSE TO WATER, RAIN OR MOISTURE**
- **WARNING: MUST BE CONNECTED TO A MAINS WITH A PROTECTIVE EARTHING CONNECTION**
- **WARNING: FOR PLUGGABLE EQUIPMENT, THE MAINS PLUG OR AC INLETS USED AS THE DISCONNECT DEVICES SHALL BE INSTALLED NEAR THE EQUIPMENT AND SHOULD REMAIN READILY ACCESSIBLE**
- **WARNING: FOR PERMANENTLY CONNECTED EQUIPMENT A READILY ACCESSIBLE DISCONNECT DEVICE SHALL BE INSTALLED NEAR THE EQUIPMENT POWER SOURCE.**
- **CAUTION: NO USER SERVICEABLE PARTS**

GROUNDING METHODS FOR HARD WIRED POWER STRIPS

STANDARD GROUND MODEL

The green or bare wire extending from the power strip into the J-box is to be connected to the J-box grounding stud along with the ground wire from the feeder circuit. If there is no ground wire contained in the feeder circuit, a metallic conduit connection will act as the equipment grounding conductor.

ISOLATED GROUND MODEL

The green wire with the yellow stripe extending from the power strip into the J-box is NOT to be connected to the J-box grounding stud. This wire is to be connected to an "isolated" (insulated) ground wire coming from the feeder circuit. This isolated ground wire will only be connected to the ground of the Isolated Receptacles. The power strip chassis must be connected to a separate safety ground, which is connected to the J-box grounding stud, or the chassis ground may be provided by a metallic conduit connection.

IMPORTANT NOTE

Although this metallic conduit grounding method is allowed by the National Electrical Code, a separate grounding conductor is highly recommended to reduce the potential for ground loops in the signal path.

CIRCUIT ARRANGEMENT

Multiple circuit power strips can be wired for single or multiple circuit operation.

Each circuit of the power strip must be connected to a circuit with an overcurrent protection device protecting each circuit.

HARDWARE KIT (91-00222)

SCREW
OVAL NUT



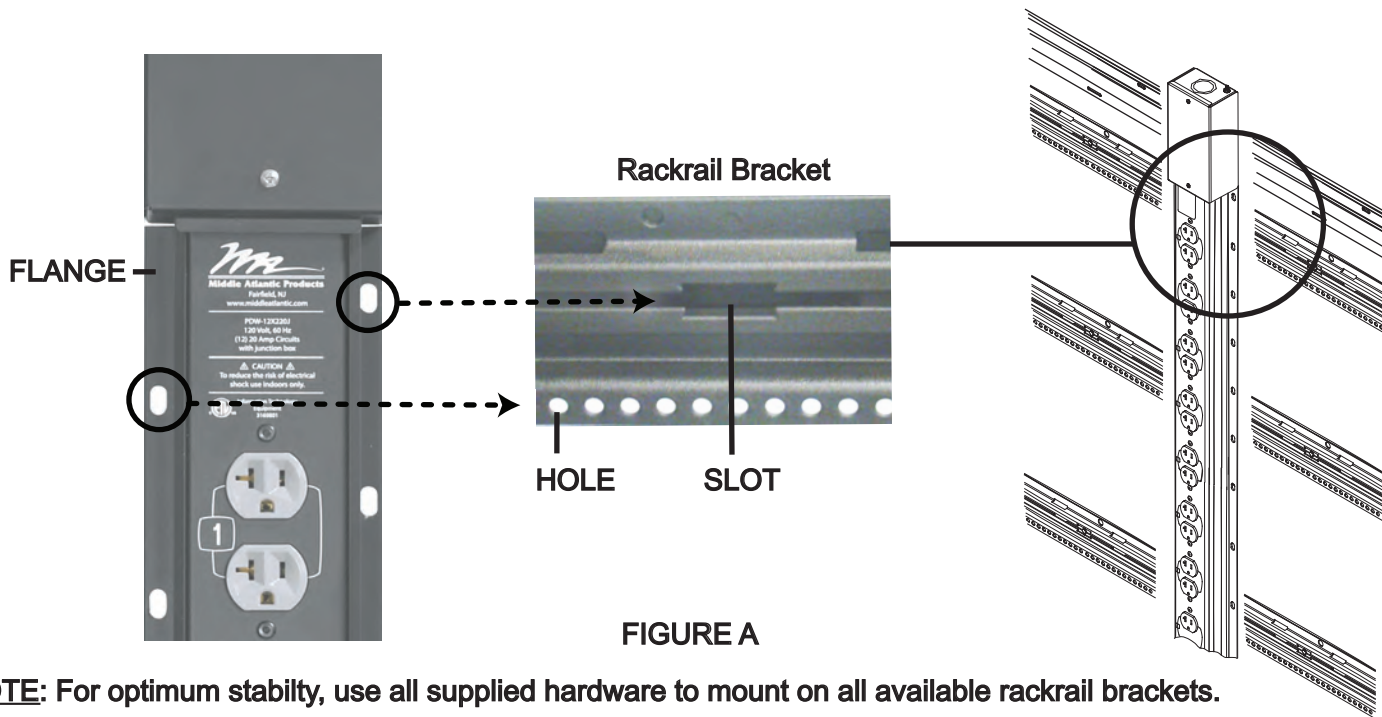
QTY
6
6



MUST BE INSTALLED BY A QUALIFIED ELECTRICIAN OR ELECTRICAL CONTRACTOR

LOCATE MOUNTING HOLES

1) The Holes in the PDW Flange ALIGN over the SLOT and HOLE in the Rackrail Bracket as shown (FIGURE A).

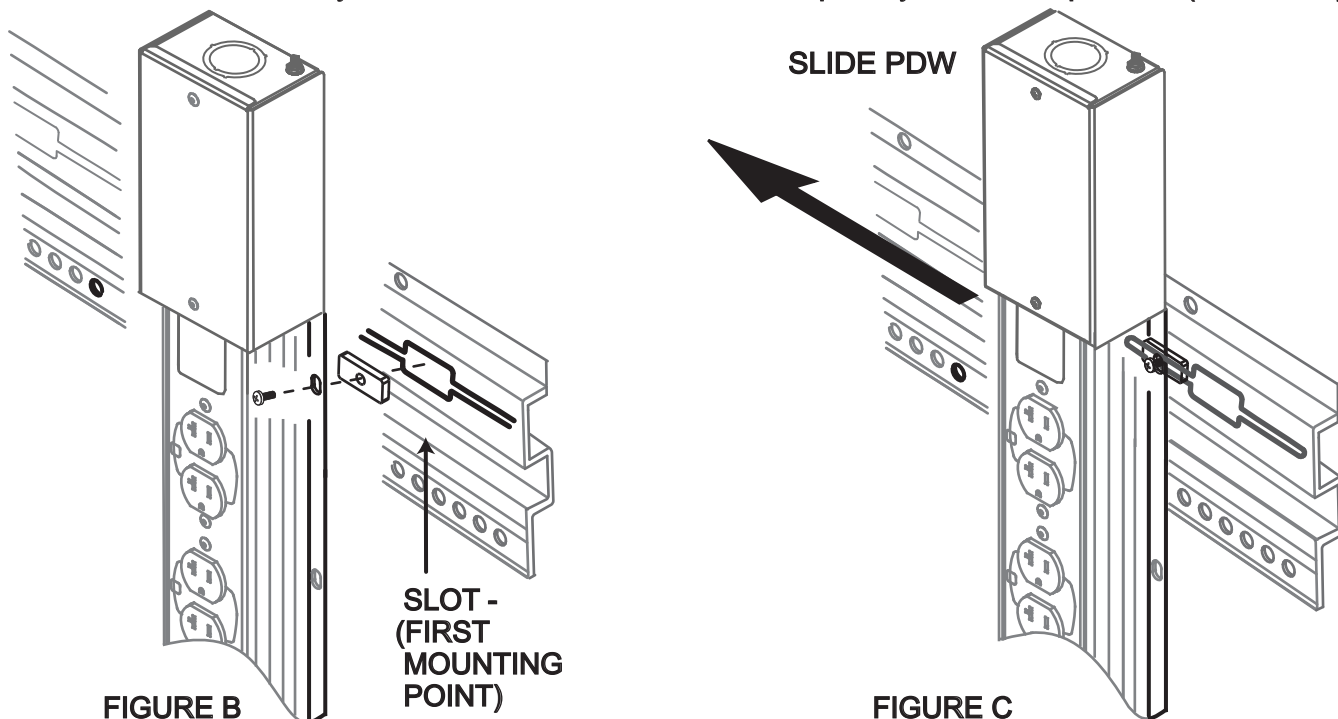


NOTE: For optimum stability, use all supplied hardware to mount on all available rackrail brackets.

MOUNTING

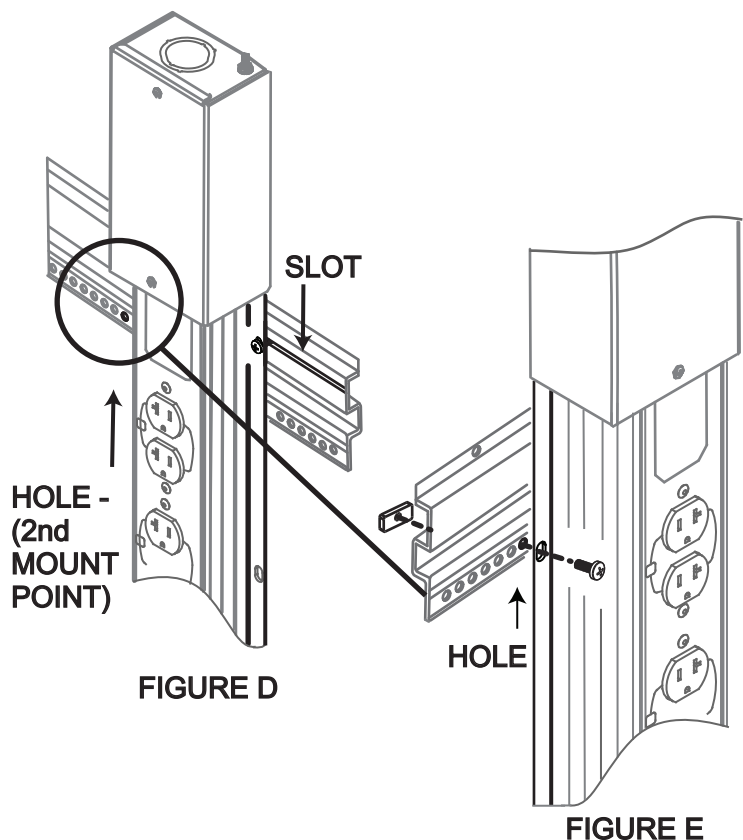
2) Using the supplied hardware, mount first through the SLOT in the Rackrail as shown. (FIGURE B)

3) Leave the hardware loosely assembled and slide the Power Strip into your desired position. (FIGURE C)



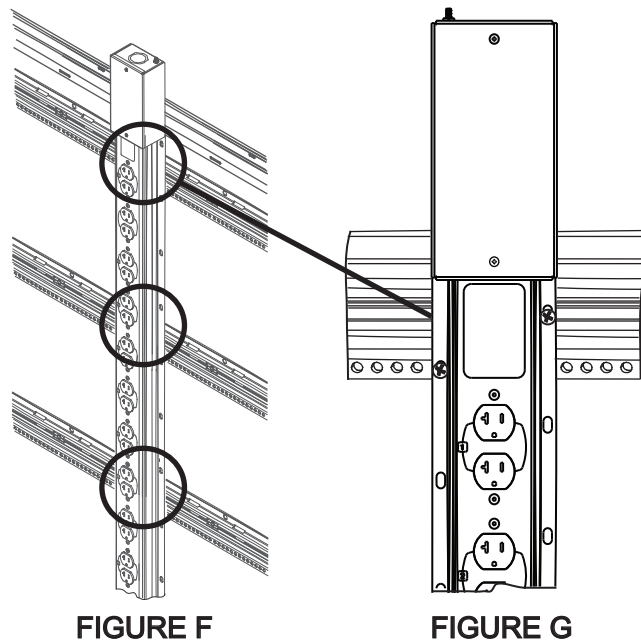
4) Once the PDW is in the desired position, locate the second mounting point. (FIGURE D)

5) Mount the PDW as shown. (FIGURE E)

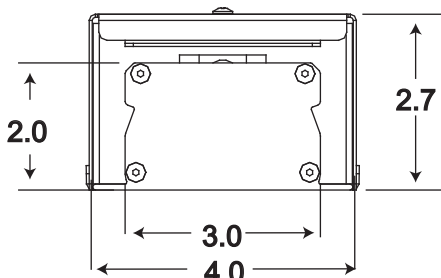


6) For maximum stability, use all supplied hardware. (2 mounting points on 3 brackets- FIGURE F).

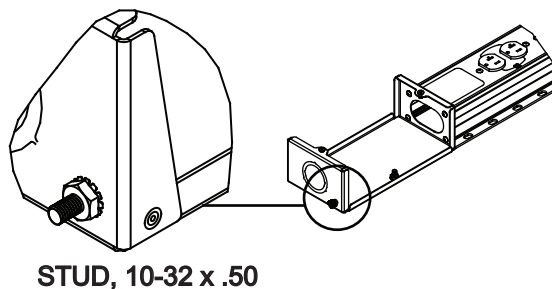
7) Secure the hardware in all of the mounting points. (FIGURE G)



DIMENSIONS



SUPPLEMENTAL BONDING POINT



WARRANTY

Middle Atlantic Products, Inc. (the "Company") warrants the PDW Vertical Power Strip to be free from defects in material or workmanship under normal use and conditions for a period of (3) three years from date of shipment by the Company.

The Company's entire liability to the purchaser, and the purchaser's (or any other party's) sole and exclusive remedy, under this warranty shall be limited, at the Company's option, to either (a) return of and refund of the price paid for, or (b) repair or replacement at the Company's factory of the products purchased, or any part or parts thereof, which the Company has determined to be defective after inspection thereof at the Company's factory. This warranty does not cover damage due to acts of God, accident, misuse, abuse or negligence by parties other than the Company, or any modification or alteration of the products. In addition, this warranty does not cover damage due to improper handling, assembly, installation or maintenance.

THIS WARRANTY IS IN LIEU OF ALL OTHER WARRANTIES OF ANY KIND, EITHER EXPRESSED OR IMPLIED, INCLUDING, BUT NOT LIMITED TO, IMPLIED WARRANTIES OF MERCHANTABILITY AND FITNESS FOR A PARTICULAR PURPOSE.

TO THE MAXIMUM EXTENT PERMITTED BY APPLICABLE LAW, IN NO EVENT SHALL THE COMPANY BE LIABLE FOR ANY SPECIAL, INCIDENTAL, INDIRECT, OR CONSEQUENTIAL DAMAGES WHATSOEVER (INCLUDING, WITHOUT LIMITATION, DAMAGES FOR LOSS OF BUSINESS PROFITS, BUSINESS INTERRUPTION OR ANY OTHER PECUNIARY LOSS) ARISING OUT OF THE USE OF THE PRODUCTS PURCHASED, EVEN IF THE COMPANY HAS BEEN ADVISED OF THE POSSIBILITY OF SUCH DAMAGES. THE COMPANY'S LIABILITY TO THE PURCHASER (OR ANY OTHER PARTY) HEREUNDER, IF ANY, SHALL IN NO EVENT EXCEED THE PURCHASE PRICE OF THE PRODUCTS PAID TO THE COMPANY.

Corporate Headquarters

Corporate Voice 973-839-1011 - Fax 973-839-1976 / International Voice +1 973-839-8821 - Fax +1 973-839-4982
middleatlantic.com - info@middleatlantic.com

Middle Atlantic Canada

Voice 613-836-2501 - Fax 613-836-2690 / middleatlantic.ca - customerservicecanada@middleatlantic.ca

Factory Distribution

USA: NJ - CA - IL Canada: ON - BC

At Middle Atlantic Products we are always listening. Your comments are welcome.

Middle Atlantic Products is an ISO 9001 and ISO 14001 Registered Company.