

## GENUS PRODUCTS

Matte Boxes  
Hurricane Rig Systems  
Shoulder Mount Systems  
Support Bar Systems  
Adaptor Plates  
Adaptor Rings & Donuts  
French Flags  
DSLR Camera Accessories  
and more

## WARRANTY

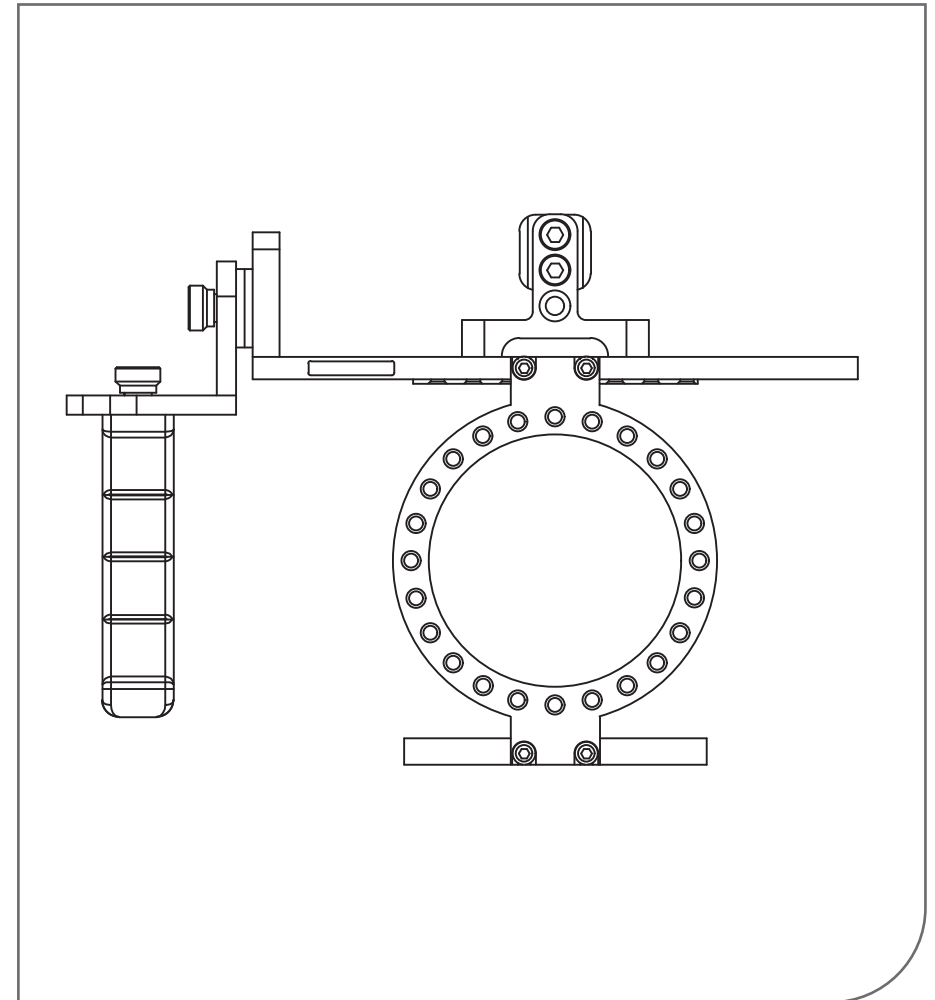
Your Genus Top Cheeseplate for Canon C300 Camcorder is covered by a one year warranty from the date of purchase.

Full terms and conditions of warranty can be found on our website

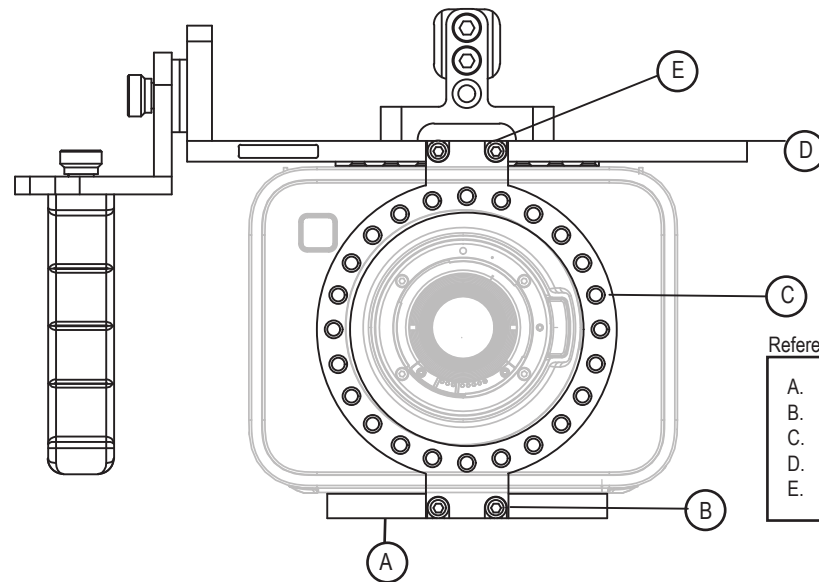
[www.genustech.tv](http://www.genustech.tv)

Date of Purchase

Dealer



# The G-BMDCAGE Black Magic Design Camera Cage



Reference 1a

- |    |                 |
|----|-----------------|
| A. | Base Plate      |
| B. | M4 Allen Screws |
| C. | Front Plate     |
| D. | Top Plate       |
| E. | M4 Allen Screws |

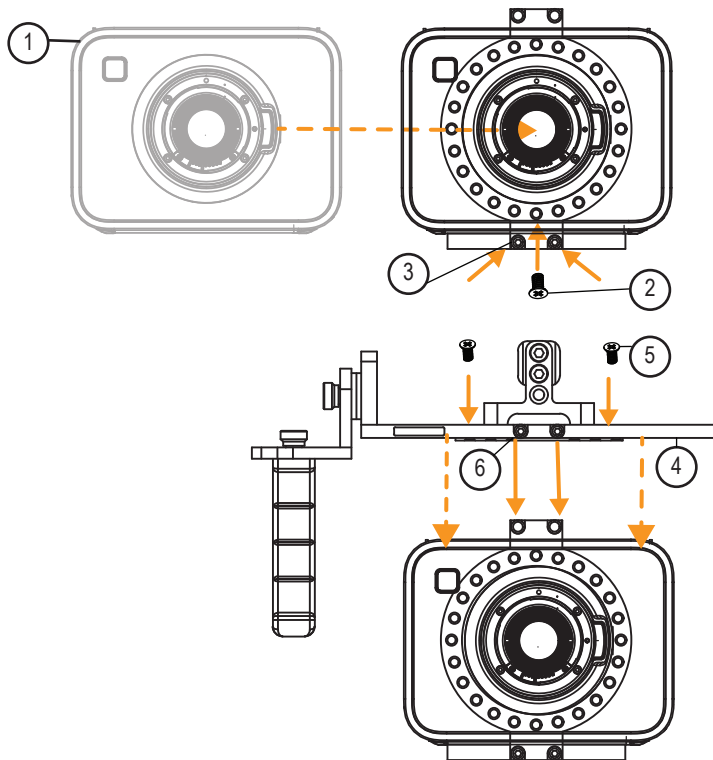
## User Instruction

### 1st Step

1. Align the Black Magic Design Camera to the center of the Front Plate (C)
2. Tighten the Black Magic Design Camera with 1/4" screw
3. Using the Two M4 X 10 Allen Screws (B) (See Refer. Image 1b) to secure the base plate (A) & the Front Plate (C)

### 2nd Step

4. Align the Top Plate (D) to the Camera top
5. Tighten the Camera by Two 1/4" screws from the top
6. Using the Two M4 X 10 Allen Screws (E) (See Refer. Image 1b) to secure the top plate (D) & the Front Plate (C)



Referene Image 1b

