



# **HPE Aruba Networking 8360 Switch Series**

**Installation and Getting Started Guide**



**Hewlett Packard**  
Enterprise

## Copyright Information

© Copyright 2024 Hewlett Packard Enterprise Development LP.

## Open Source Code

This product includes code licensed under the GNU General Public License, the GNU Lesser General Public License, and/or certain other open source licenses. A complete machine-readable copy of the source code corresponding to such code is available upon request. This offer is valid to anyone in receipt of this information and shall expire three years following the date of the final distribution of this product version by Hewlett Packard Enterprise Company. To obtain such source code, send a check or money order in the amount of US \$10.00 to:

Hewlett Packard Enterprise Company  
6280 America Center Drive  
San Jose, CA 95002  
USA

## Notices

The information contained herein is subject to change without notice. The only warranties for Hewlett Packard Enterprise products and services are set forth in the express warranty statements accompanying such products and services. Nothing herein should be construed as constituting an additional warranty. Hewlett Packard Enterprise shall not be liable for technical or editorial errors or omissions contained herein.

Confidential computer software. Valid license from Hewlett Packard Enterprise required for possession, use, or copying. Consistent with FAR 12.211 and 12.212, Commercial Computer Software, Computer Software Documentation, and Technical Data for Commercial Items are licensed to the U.S. Government under vendor's standard commercial license.

Links to third-party websites take you outside the Hewlett Packard Enterprise website. Hewlett Packard Enterprise has no control over and is not responsible for information outside the Hewlett Packard Enterprise website.

## Acknowledgments

Microsoft® and Windows® are either registered trademarks or trademarks of Microsoft Corporation in the United States and/or other countries.

UNIX® is a registered trademark of The Open Group.

All third-party marks are property of their respective owners.



<b>Contents</b> .....	<b>3</b>
<b>About this Document</b> .....	<b>5</b>
Applicable Products .....	5
Related Publications .....	6
<b>Introducing the Switches</b> .....	<b>7</b>
Overview .....	7
Front of the Switches .....	7
Network Ports .....	9
Split Mode (QSFP28) .....	10
Management Ports .....	11
Console Port .....	11
Out-of-band Management (OOBM) Port .....	11
USB-A Aux Port .....	11
Chassis and Port LEDs on the front of the switch .....	11
LED Mode Select Button and Mode LEDs .....	19
LED Behavior .....	19
Switch Product Label .....	21
Back of the Switch .....	22
Management Ports .....	23
Console Port (RJ-45) .....	23
Power Supplies .....	24
Power Supply Instructions .....	25
Power Supply Status LED .....	25
Load Sharing .....	25
Redundancy .....	25
Hot Swapping .....	26
Fan Trays .....	26
Fan Tray Status LED .....	28
Switch Features .....	28
<b>Installing the switch</b> .....	<b>30</b>
Included Parts .....	30
Parts not included .....	31
Installation Procedures for 8360 Switches .....	31
Installation Precautions and Guidelines .....	31
Prepare the Installation Site .....	32
Install Power Supplies .....	33
Install Fan Trays .....	34
Power-on the switch and check LEDs .....	35
Power off the switch .....	35
Mount the Switch .....	35
Two-post Rack Mount Option .....	36
Four-Post Rack Mount Option .....	38
Install Transceivers .....	39
Connect the Switch to a Power Source .....	41
Setup for Initial Configuration .....	42

---

Connect Network Cables .....	42
Using RJ-45 Out-of-band Management Port .....	42
Connecting Cables to Transceivers .....	43
<b>Initial Configuration with an Out-of-Band Serial Connection .....</b>	<b>44</b>
Terminal Configuration .....	44
Connect to Console Port .....	44
Console Cable Pinout .....	44
RJ-45 to DB-9 pinouts .....	45
<b>Replacing Components .....</b>	<b>46</b>
Replacing a Power Supply .....	46
Replacing a Fan Tray .....	47
<b>Troubleshooting .....</b>	<b>49</b>
Basic Troubleshooting Tips .....	49
Diagnosing with the LEDs .....	49
LED Patterns for General Switch Troubleshooting .....	50
Diagnostic Tips .....	50
Hardware Diagnostic Tests .....	53
Testing the switch by resetting it .....	53
Checking the Switch LEDs .....	53
Checking Console Messages .....	53
Testing Switch-to-Device Network Communications .....	53
Testing End-to-End Networking Communications .....	54
Battery Statements: .....	54
<b>Specifications .....</b>	<b>55</b>
Physical .....	55
Electrical .....	57
Power Cords .....	58
Power Consumption .....	59
Environmental Specifications .....	60
Acoustics .....	60
RoHS .....	61
Safety and Regulatory Information .....	61
Connectivity Standards .....	62
<b>Cabling and Technology Information .....</b>	<b>65</b>
Cabling Specifications .....	65
Technology Distance Specifications .....	66
<b>Support and other resources .....</b>	<b>69</b>
Accessing HPE Networking Support .....	69
Accessing Updates .....	69
HPE Networking Support Portal .....	70
My Networking .....	70
Warranty Information .....	70
Regulatory Information .....	70
Documentation Feedback .....	70

This document is intended for network administrators and support personnel.



The displays and command lines illustrated in this document are examples and might not exactly match your particular switch or environment.

The switch and accessory drawings in this document are for illustration only and may not exactly match your particular switch and accessory products.

## Applicable Products

Aruba X391 550W Prt2Pwr AC PSU (JL600A)	Aruba X391 550W Pwr2Prt AC PSU (JL712A)
Aruba X391 850W Prt2Pwr AC PSU (JL601A)	Aruba X391 850W Pwr2Prt AC PSU (JL713A)
Aruba X412 1U Universal 2-post RM Kit (JL602A)	Aruba X741 Prt2Pwr Fan (JL714A)
Aruba 8360-32Y4C Prt2Pwr3F2PS Bdl (JL700A)	Aruba X742 Pwr2Prt Fan (JL715A)
Aruba 8360-32Y4C Pwr2Prt3F2PS Bdl (JL701A)	Aruba X414 1U Universal 4-post RM Kit (J9583B)
Aruba 8360-16Y2C Prt2Pwr3F2PS Bdl (JL702A)	Aruba 8360-32Y4C v2 FB 3F 2AC Bdl (JL700C)
Aruba 8360-16Y2C Pwr2Prt3F2PS Bdl (JL703A)	Aruba 8360-32Y4C v2 BF 3F 2AC Bdl (JL701C)
Aruba 8360-48Y6C v2 FB 5F 2AC Bdl (JL704C)	Aruba 8360-16Y2C v2 FB 3F 2AC Bdl (JL702C)
Aruba 8360-48Y6C v2 BF 5F 2AC Bdl (JL705C)	Aruba 8360-16Y2C v2 BF 3F 2AC Bdl (JL703C)
Aruba 8360-48XT4C Prt2Pwr3F2PS Bdl (JL706A)	Aruba 8360-48XT4C v2 FB 3F 2AC Bdl (JL706C)
Aruba 8360-48XT4C Pwr2Prt3F2PS Bdl (JL707A)	Aruba 8360-48XT4C v2 BF 3F 2AC Bdl (JL707C)
Aruba 8360-12C Prt2Pwr3F2PS Bdl (JL708A)	Aruba 8360-12C v2 FB 3F 2AC Bdl (JL708C)
Aruba 8360-12C Pwr2Prt3F2PS Bdl (JL709A)	Aruba 8360-12C v2 BF 3F 2AC Bdl (JL709C)
Aruba 8360-24XF2C Prt2Pwr3F2PS Bdl (JL710A)	Aruba 8360-24XF2C v2 FB 3F 2AC Bdl (JL710C)
Aruba 8360-24XF2C Pwr2Prt3F2PS Bdl (JL711A)	Aruba 8360-24XF2C v2 BF 3F 2AC Bdl (JL711C)
Aruba 8360-32Y4C v2 Switch (JL717C)	Aruba 8360-48XT4C v2 Switch (JL720C)
Aruba 8360-16Y2C v2 Switch (JL718C)	Aruba 8360-12C v2 Switch (JL721C)
Aruba 8360-48Y6C v2 Switch (JL719C)	Aruba 8360-24XF2C v2 Switch (JL722C)



---

This document includes references of Pwr2Prt, Prt2Pwr, Power-toPort, Port-to-Power, FB, BF, Front-to-Back, and Back-to-Front. Refer to the table below to identify terminology equivalents.

---

Airflow Terminology (Revs A)	Airflow Terminology Equivalent (Rev C)
Port-to-Power (Prt2Pwr)	Front-to-Back (FB)
Power-to-Port(Pwr2Prt)	Back-to-Front (BF)

## Related Publications

- *Start Here: Installation, Safety, and Regulatory Information for the HPE Aruba Networking 8360 Switches*
- *Transceiver Guide*
- AOS-CX software manuals

To view and download these publications, visit the HPE Networking Support Portal at <https://networkingsupport.hpe.com/home>.

HPE Aruba Networking 8360 multiport switches are store-and-forward devices offering low latency for high-speed networking with full network management capabilities.

This chapter describes these switches with the following information:

- Front of the switches:
  - Network ports
  - Management ports
  - Chassis and Port LEDs
  - LED Mode Select Button and Mode LEDs
  - LED behavior
  - Switch product label (Pull tab)
- Back of the switches:
  - Management ports
  - Power supplies
  - Fan trays
- Switch features

## Overview

The HPE Aruba Networking 8360 Switch Series is a family of premium networking switches, ideal for enterprise data centers, network aggregation and core. They provide the foundation for high-performance networks supporting IoT, mobile, and cloud applications.

These switches are intended for indoor use only. They are for use in commercial applications. A typical installation is in an environmentally controlled data center. The end use environment may or may not be a restricted access location.

## Front of the Switches

**Figure 1** *Front of all 8360 rev A switches*

Label	Description
1	<b>JL700A/JL701A</b> Aruba 8360 32Y4C
2	<b>JL702A/JL703A</b> Aruba 8360 16Y2C
3	<b>JL706A/JL707A</b> Aruba 8360 48XT4C
4	<b>JL708A/JL709A</b> Aruba 8360 12C

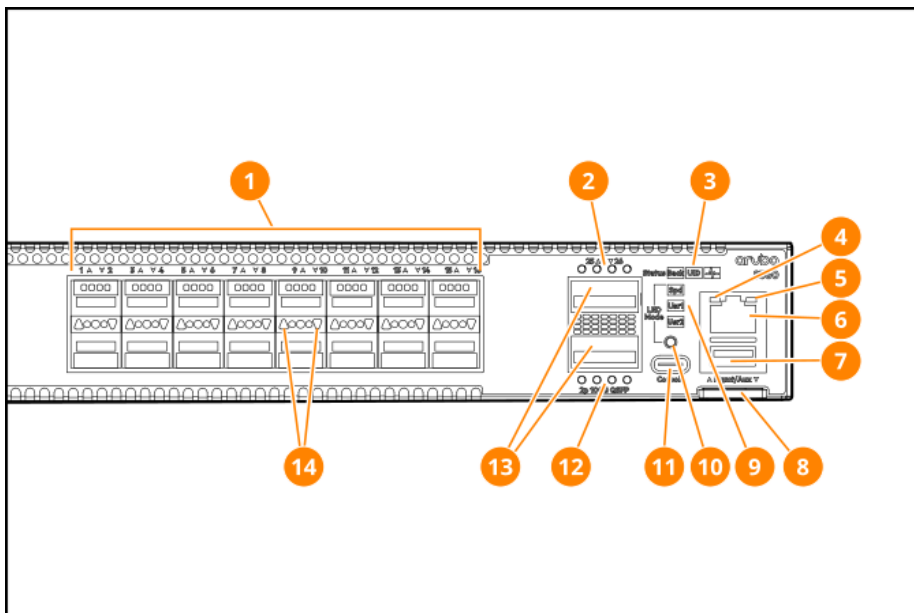


Label	Description
5	<b>JL710A/JL711A</b> Aruba 8360 24XF2C
6	<b>JL704C/JL705C</b> Aruba 8360-48Y6C

**Figure 2** Front of all 8360 rev C switches

**Figure 3** Example of an 8360 switch

Label	Description
1	<b>JL700C/JL701C</b> Aruba 8360 32Y4C v2
2	<b>JL702C/JL703C</b> Aruba 8360 16Y2C v2
3	<b>JL706C/JL707C</b> Aruba 8360 48XT4C v2
4	<b>JL708C/JL709C</b> Aruba 8360 12C v2
5	<b>JL710C/JL711C</b> Aruba 8360 24XF2C v2



Label	Description
1	<p>SFP28 Ports</p> <p>For SFP28/QSFP+/QSFP28 operation, only HPE Aruba Networking supported Transceivers, AOCs, or DACs are allowed.</p> <p>For SFP/SFP+ operation, there is an Unsupported Transceiver mode available, however no warranty or support are provided for the transceiver/cable when used.</p>



Label	Description
2	QSFP28 port indicator LEDs
3	System LEDs (Back Status, Unit Identification/Locator and Global Status)
4	Reserved for future use
5	Out-Of-Band-Management Link/Activity LED
6	Out-Of-Band-Management Port (1000/100/10 Mbps)
7	USB2.0 Type-A port (Aux)
8	Switch Identification Tab (Pull tab)
9	LED mode LEDs (Spd Mode, Usr1 and Usr2. Usr2 is reserved for future use.)
10	LED Mode Select Button
11	USB-C Serial Console Port
12	QSFP28 port indicator LEDs
13	<p>QSFP28 ports</p> <p>For SFP28/QSFP+/QSFP28 operation, only HPE Aruba Networking supported Transceivers, AOCs, or DACs are allowed.</p> <p>For SFP/SFP+ operation, there is an Unsupported Transceiver mode available, however no warranty or support are provided for the transceiver/cable when used.</p>
14	Top (left) and Bottom (right) SFP28 port indicator LEDs

## Network Ports

**Table 1:** Network Port descriptions for HPE Aruba Networking v2 (C-model) switches

Switch	Model name	SFP28 ports	QSFP28 ports	10G Base-t ports	MACsec ports
JL700C/JL701C v2  JL717C v2	Aruba 8360 32Y4C  Aruba 8360-32Y4C v2 Switch	32 Ports 1-4 are 10G/25G only and are in an interface-group. See <a href="#">EMI Plug Accessory Installation</a>	4	0	4 MACsec ports are ports 1-4.
JL702C/JL703C v2  JL718C v2	Aruba 8360 16Y2C  Aruba 8360-16Y2C v2 Switch	16 See <a href="#">EMI Plug Accessory Installation</a>	2	0	0

Switch	Model name	SFP28 ports	QSFP28 ports	10G Base-t ports	MACsec ports
JL704C/JL705C v2  JL719C v2	Aruba 8360-48Y6C  Aruba 8360-48Y6C v2 Switch	48 See <a href="#">EMI Plug Accessory Installation</a>	6	0	6
JL706C/JL707C v2  JL720C v2	Aruba 8360-48XT4C  Aruba 8360-48XT4C v2 Switch	0	4 QSFP28 ports cannot be split.	48 Capable of 100M (FDx only), 1G, 2.5g, 5G, 10G	0
JL708C/JL709C v2  JL721C v2	Aruba 8360 12C  Aruba 8360-12C v2 Switch	0	12	0	0
JL710C/JL711C v2  JL722C v2	Aruba 8360 24XF2C  Aruba 8360-24XF2C v2 Switch	24 (SFP+)	2	0	0




---

For supported transceivers, see the latest version of the *ArubaOS-Switch and ArubaOS-CX Transceiver Guide*.

---

## Split Mode (QSFP28)

QSFP ports on the HPE Aruba Networking 8360 switch series are capable of operating as:

- 100G ports
- 40G ports
- Split into 4 individual 25G or 10G ports

When operating as a 100G/40G port, all 4 port indicator LEDs will blink in unison for Link/Activity or Mode behavior, see [LED Behavior on page 19](#). When in split mode, each of the 4 LEDs corresponds to one of the split ports, 1-4, left to right, respectively.




---

QSFP28 ports on the 48XT4C (JL706A/JL707A) do not support split mode and can only function at 100G or 40G speeds.

---

## Management Ports

Information about the Console Port.

### Console Port

HPE Aruba Networking 8360 switches include an RJ-45 serial console port on the rear of the switch. This port is used to connect a console to the switch by using an RJ-45 serial cable (not supplied). A DB9-to-RJ-45 console cable can be ordered from HPE: JL448A, HPE Aruba Networking X2C2 RJ45 to DB9 Console Cable.

The 8360 switches also include a USB-C console port on the front of the switch. This port can be used to connect a console to the switch by using a standard USB-C cable (not supplied). The USB-C port has precedence for input. If both cables are plugged in, the console output is echoed to both the RJ-45 and the USB-C ports, but the input is only accepted from the USB-C port.



- Use of the USB-C port may require the installation of a standard USB driver. New Windows installs include the driver by default.
- USB driver available from HPE Aruba Networking:  
<https://support.arubanetworks.com/ToolsResources/tabid/76/DMXModule/514/Default.aspx?EntryId=7512>

For more information on the console connection, see [Setup for Initial Configuration on page 42](#). The console can be a PC or workstation running a VT-100 terminal emulator, or a VT-100 terminal.

The HPE Aruba Networking CX mobile app and the HPE Aruba Networking USB-A Bluetooth adapter (separately orderable SKU# S1H23A) enable you to configure your switch from your mobile device. For information about using the Aruba CX mobile app to configure the switch, see the *Fundamentals Guide* for your switch and software release.

### Out-of-band Management (OOBM) Port

This front panel RJ-45 port is used to connect a dedicated management network to the switch. To use it, connect an RJ-45 network cable to the management port to manage the switch through Telnet from a remote PC or a UNIX workstation.

To use this port, the switch must have an IP address. IP settings can be configured through a console port connection or automatically from a DHCP/Bootp server.

A networked out-of-band connection through the management port allows you to manage data network switches from a physically and logically separate management network.

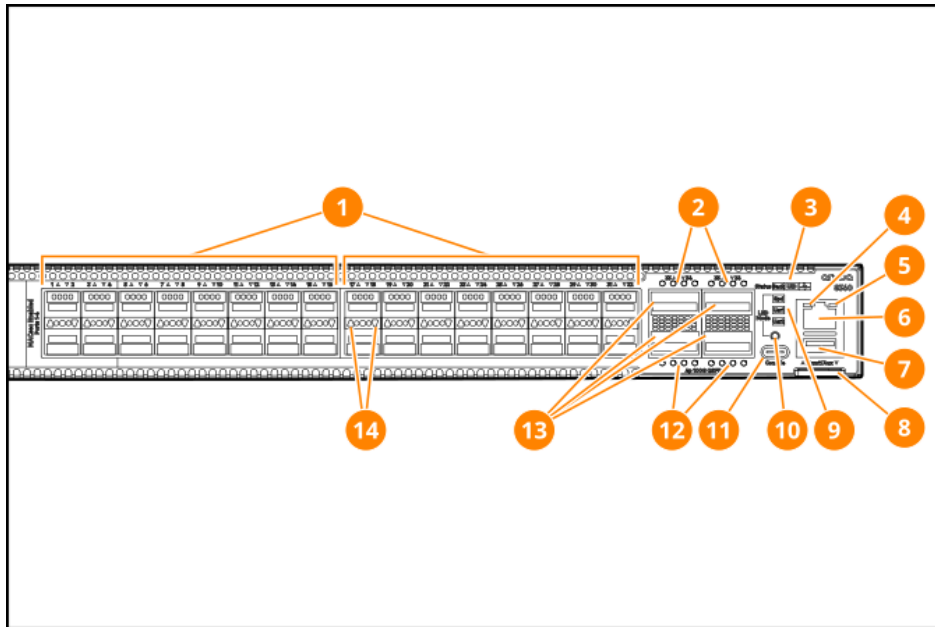
For more information, see the *Fundamentals Guide* for your switch.

### USB-A Aux Port

The USB-A port is used for file management, downloading switch software or use of HPE Aruba Networking accessories. This port uses a USB Type-A connector.

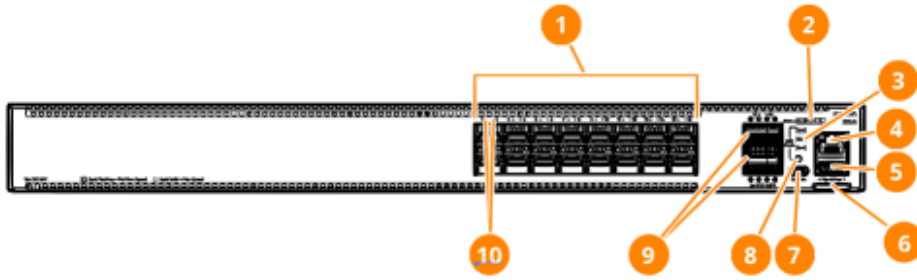
## Chassis and Port LEDs on the front of the switch

**Figure 1** Chassis and Port LEDs for the Aruba 8360 32Y4C (JL700A/JL701A/JL717A)



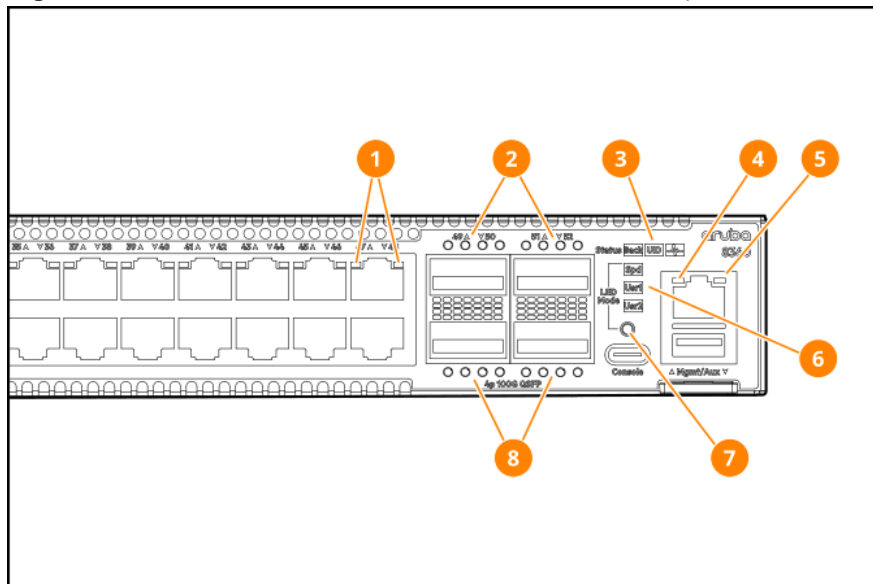
Label	Description
1	For SFP28/QSFP+/QSFP28 operation, only HPE Aruba Networking supported Transceivers, AOCs, or DACs are allowed. For SFP/SFP+ operation, there is an Unsupported Transceiver mode available, however no warranty or support are provided for the transceiver/cable when used.
2	QSFP port indicator LEDs
3	System LEDs (Back Status, Unit Identification/Locator and Global Status)
4	Reserved for future use
5	Out-Of-Band-Management Link/Activity LED
6	Out-Of-Band-Management Port (1000/100/10 Mbps)
7	USB2.0 Type-A port (Aux)
8	Luggage Tab (Contains Product and Unit Identification Info)
9	LED mode LEDs (Spd Mode, Usr1 and Usr2 is reserved for future use)
10	LED Mode Select Button
11	USB-C Serial Console Port
12	QSFP port indicator LEDs
13	QSFP28 ports
14	Top (left) and Bottom (right) SFP28 port indicator LEDs

**Figure 2** Chassis and Port LEDs for the Aruba 8360-16Y2C (JL702A/JL703A/JL718A)



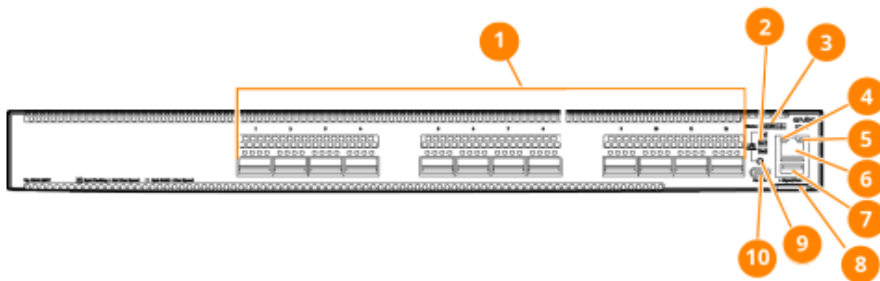
Label	Description
1	16 SFP28 Ports
2	Port mode LEDs
3	System LEDs
4	1000/100/10 Mbps Out-Of-Band-Management Port
5	USB2.0 Type-A Port (Labeled "Aux")
6	Luggage Tab (Contains Product and Unit Identification Info)
7	LED mode select button
8	USB-C Serial Console Port
9	QSP28 Ports
10	RJ-45 port indicator LEDs

**Figure 3** Chassis and Port LEDs for the Aruba 8360-12C (JL706A/JL707A/JL720A)



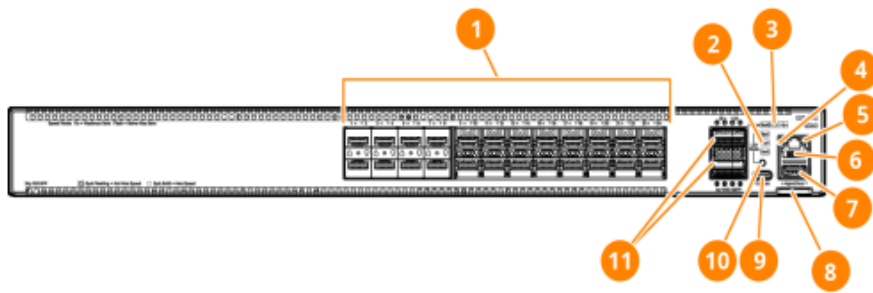
Label	Description
1	Top (left) and Bottom (right) RJ-45 port indicator LEDs
2	QSFP port indicator LEDs
3	System LEDs (Back Status, Unit Identification/Locator and Global Status)
4	Reserved for future use
5	Out-Of-Band-Management Link/Activity LED
6	LED mode LEDs (Spd Mode, Usr1 and Usr2Usr2 is reserved for future use)
7	LED Mode Select Button
8	QSFP port indicator LEDs

**Figure 4** Chassis and Port LEDs for the Aruba 8360 12C (JL708A/JL709A/JL721A)



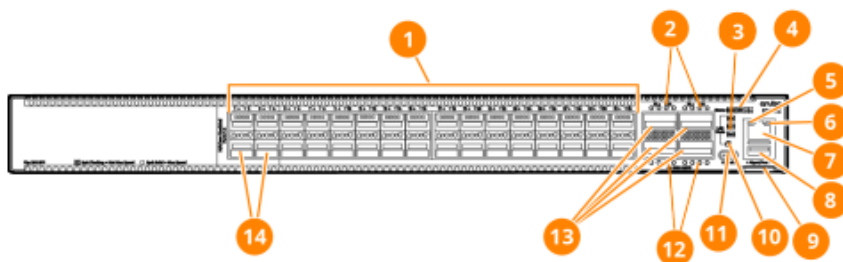
Label	Description
1	QSP port indicator LEDs
2	LED mode LEDs (Spd Mode, Usr1, and Usr2 reserved for future use)
3	System LEDs (Back Status, Unit Identification/Locator, and Global Status)
4	Reserved for future use
5	Out-of-Band Management Link/Activity LED
6	1000/100/10 Mbps Out-Of-Band-Management Port
7	USB2.0 Type-A Port (Labeled "Aux")
8	Luggage Tab (Contains Product and Unit Identification Info)
9	LED mode select button
10	USB-C Serial Console Port

**Figure 5** Chassis and Port LEDs for the Aruba 8360-24XF2C (JL710A/JL711A/JL722A)



Label	Description
1	24 SFP28 Ports
2	System LEDs
3	Port mode LEDs
4	Reserved for future use
5	Out-of-Band Management Link/Activity LED
6	1000/100/10 Mbps Out-Of-Band-Management Port
7	USB2.0 Type-A Port (Labeled "Aux")
8	Luggage Tab (Contains Product and Unit Identification Info)
9	USB-C Serial Console Port
10	LED Mode Select Button
11	QSFP port indicator LEDs

**Figure 6** Chassis and Port LEDs for the Aruba 8360-32Y4C (JL700C/JL701C/JL717C)

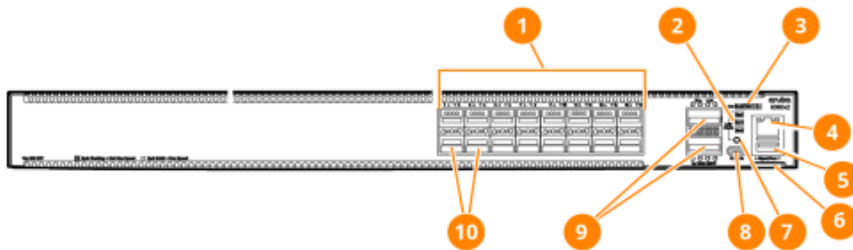


Label	Description
1	<p>For SFP28/QSFP+/QSFP28 operation, only HPE Aruba Networking supported Transceivers, AOCs, or DACs are allowed.</p> <p>For SFP/SFP+ operation, there is an Unsupported Transceiver mode available, however no warranty or support are provided for the transceiver/cable when used.</p> <p>50G support available on bottom ports</p>



Label	Description
2	QSFP port indicator LEDs
3	System LEDs (Back status, Unit Identificaton/Locator, and Global Status)
4	Reserved for future use
5	Out-Of-Band-Management Link/Activity LED
6	Out-Of-Band-Management Port (1000/100/10 Mbps)
7	USB2.0 Type-A Port (Labeled "Aux")
8	Luggage Tab (Contains Product and Unit Identification Info)
9	LED mode LEDs (Spd Mode, Usr 1, and Usr2 is reserved for future use)
10	LED Mode Select Button
11	USB-C Serial Console Port
12	QSFP port indicator LEDs
13	QSFP28 Ports
14	(1-4) MACsec enabled ports

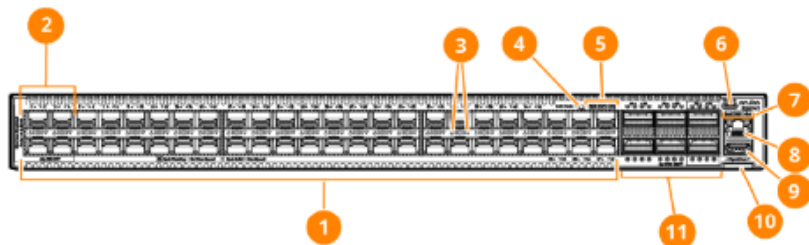
**Figure 7** Chassis and Port LEDs for the Aruba 8360-16Y2C (JL702C/JL703C/JL718C)



Label	Description
1	16 SFP28 Ports
2	Port mode LEDs
3	System LEDs
4	1000/100/10 Mbps Out-Of-Band-Management Port
5	USB2.0 Type-A Port (Labeled "Aux")
6	Luggage Tab (Contains Product and Unit Identification Info)
7	LED mode select button

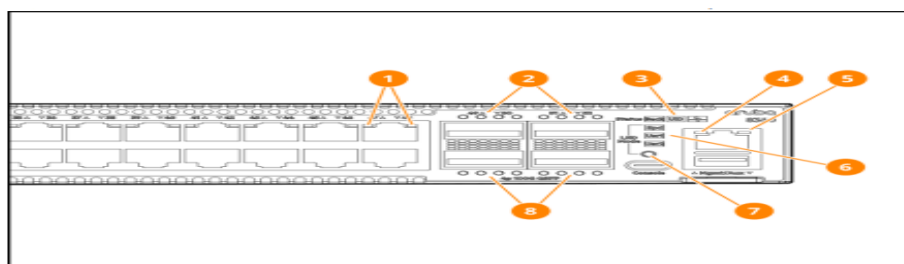
Label	Description
8	USB-C Serial Console Port
9	QSP28 Ports

**Figure 8** Chassis and Port LEDs for the Aruba 8360-48Y6C (JL704C/JL705C/JL719C)



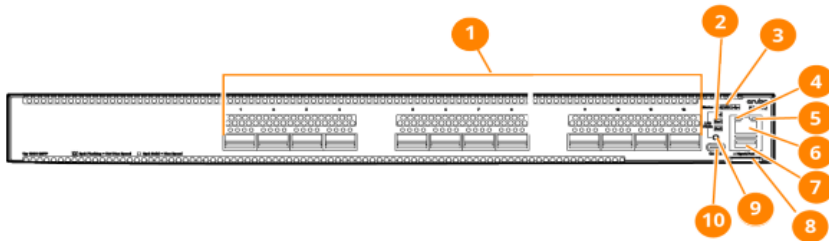
Label	Description
1	48 SFP28 Ports
2	(1-4) MACsec enabled ports
3	Port link LEDs
4	LED mode button
5	Spd, Usr1, and Usr2 LEDs
6	USB-C Serial Console Port
7	System LEDs
8	1000/100/10 Mbps Out-of-Band-Management Port
9	USB2.0 Type-A Port (Labeled "Aux")
10	Luggage Tab (Contains Product and Unit Identification Info)
11	6 QSFP28 Ports (53-54 MACsec enabled)

**Figure 9** Chassis and Port LEDs for the Aruba 8360-48XT4C (JL706C/JL707C/JL720C)



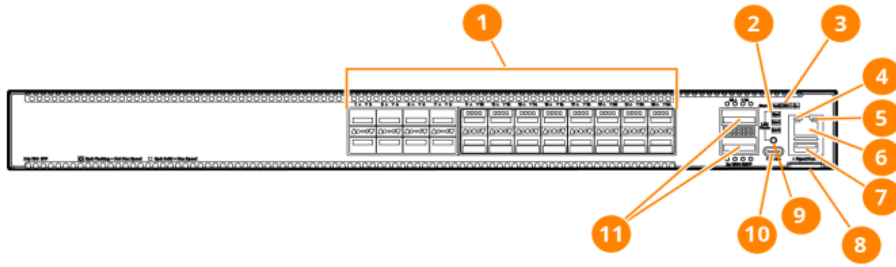
Label	Description
1	48 10GBase-T ports
2	Port mode LEDs
3	System LEDs (Back Status, Unit Identification/Locator and Global Status)
4	1000/100/10 Mbps Out-Of-Band-ManagementPort
5	USB2.0 Type-A Port (Labeled "Aux")
6	Luggage Tab (Contains Product and Unit Identification Info)
7	USB-C Serial Console Port
8	LED mode select button
9	QSFP port indicator LEDs

**Figure 10** Chassis and Port LEDs for the Aruba 8360-12C (JL708C/JL709C/JL721C)



Label	Description
1	QSP port indicator LEDs
2	LED mode LEDs (Spd Mode, Usr1, and Usr2 reserved for future use)
3	System LEDs (Back Status, Unit Identification/Locator, and Global Status)
4	Reserved for future use
5	Out-of-Band Management Link/Activity LED
6	1000/100/10 Mbps Out-Of-Band-Management Port
7	USB2.0 Type-A Port (Labeled "Aux")
8	Luggage Tab (Contains Product and Unit Identification Info)
9	LED mode select button
10	USB-C Serial Console Port

**Figure 11** Chassis and Port LEDs for the Aruba 8360-24Y2C (JL710C/JL711C/JL722C)



Label	Description
1	24 SFP28 Ports
2	Port mode LEDs
3	System LEDs
4	Reserved for future use
5	Out-of-Band Management Link/Activity LED
6	1000/100/10 Mbps Out-Of-Band-Management Port
7	USB2.0 Type-A Port (Labeled "Aux")
8	Luggage Tab (Contains Product and Unit Identification Info)
9	LED mode select button
10	USB-C Serial Console Port
11	QSFP port indicator LEDs

## LED Mode Select Button and Mode LEDs

The state of the switch port LEDs is controlled by the LED Mode Select Button. The default mode is Activity/Link which does not have a Mode LED. The current view mode is indicated by the mode LEDs next to the button. To step from one view mode to the next, press the button to cycle through the different modes.



- **Usr2** LED is reserved for future use and cannot be selected with the LED mode button.

## LED Behavior

LEDs	Function	Switch Behavior	LED State	Meaning
SFP28 port indicator RJ-45 port indicator	Displays Link/Activity or Mode information	Startup	OFF	OS-CX: No valid link SVOS: Off

LEDs	Function	Switch Behavior	LED State	Meaning
	for the port.			
		Normal	OFF	No valid link
			Half-Bright Green	Valid link indication
			FLASH Full-Bright Green	Indicator of traffic activity. The blink time is roughly proportional to the % of full bandwidth utilization of the port.
		Fault	OFF	No fault
			FLASH Amber Blinks synchronously with Global Status LED.	Fault
QSFP port indicator. In split mode, each LED corresponds to 1 lane of the split. Otherwise, all 4 LEDs are in unison.	Displays Link/Activity or Mode information for the port.	Startup	OFF	OS-CX: No valid link SVOS: Off
		Normal	OFF	No valid link
			Half-Bright Green	Valid link indication
			FLASH Full-Bright Green	Indicator of traffic activity. The blink time is roughly proportional to the % of full bandwidth utilization of the port.
		Fault	OFF	No fault
			FLASH Amber Blinks synchronously with Global Status LED.	Fault
Out-Of-Band-Management Link/Activity	Displays Link and Activity information for the OOBM port.	Startup	OFF	No valid link OS-CX and SVOS.
		Normal	OFF	No valid link
			Half-Bright Green	Valid link indication
			FLASH Full-Bright Green	Indicator of traffic activity. The blink time is roughly proportional to the % of full bandwidth utilization of the port.

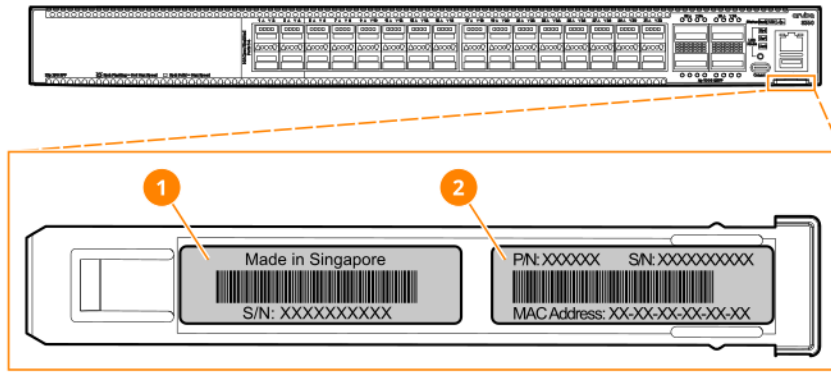
LEDs	Function	Switch Behavior	LED State	Meaning
Global Status Indicator	Displays overall health status for the unit.	Startup	Solid Green	OS-CX: ArubaOS loading
			FLASH Green	SVOS: Self test in progress
		Normal	ON Green	OS-CX: Self test PASS, Fans and PSUs OK
			FLASH Green	SVOS: Self test in progress
		Fault	FLASH Amber	OS-CX: Fault Indicates Power supply, Fan tray or Port fault by FLASHING synchronously with faulted device. Can also blink alone to indicate thermal or endurance issues. See Event Logs for more detail on all faults. SVOS: Self test failure
Unit Identification/Locator	Customer selectable through CLI to help ID/Locate unit.	Startup	OFF	-
		Normal	OFF Unless configured by user to be ON Blue or FLASH Blue.	-
			ON Blue	User configured to be ON
			FLASH Blue	User configured to FLASH
Back Status Indicator	Indicates status of modular assemblies on the back of the switch (Power supplies and Fan trays).	Startup	OFF	-
		Normal	ON Green	-
		Fault	FLASH Amber Blinks synchronously with Global Status LED.	PSU or Fan fault

## Switch Product Label

The switch product label is an HPE Aruba Networking Orange-colored tab on the bottom right side of the switch front panel. Pull the tab out to view the product label information.

The product label information includes the part number, serial number, and MAC address. Serial numbers and MAC address labels are duplicated on the back or bottom of the product.

**Figure 1** HPE Aruba Networking 8360 switch product label (pull tab)



Label	Description
1	Country of origin and Serial number
2	Part number, Serial number and MAC address

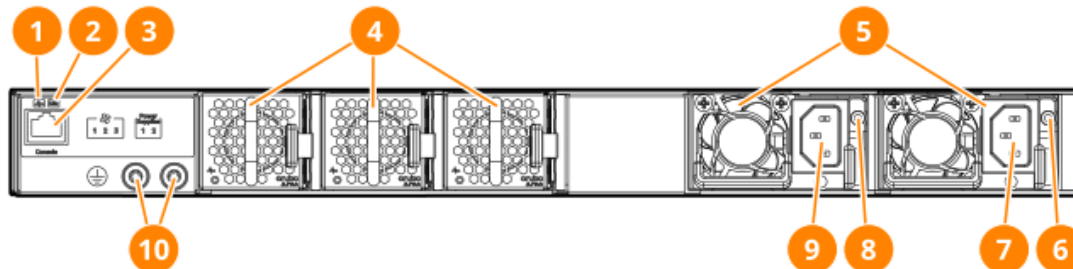
## Back of the Switch

The back of 8360 switches include two power supply units and three fan trays.



All 8360 SKUs have three fan trays with the exception of 8360-48Y6C. Refer to Figure 2 in this section for more information on the rear of 8360-48Y6C switches.

**Figure 1** Back of HPE Aruba Networking 8360 Rev A & C Switches except 8360-48Y6C

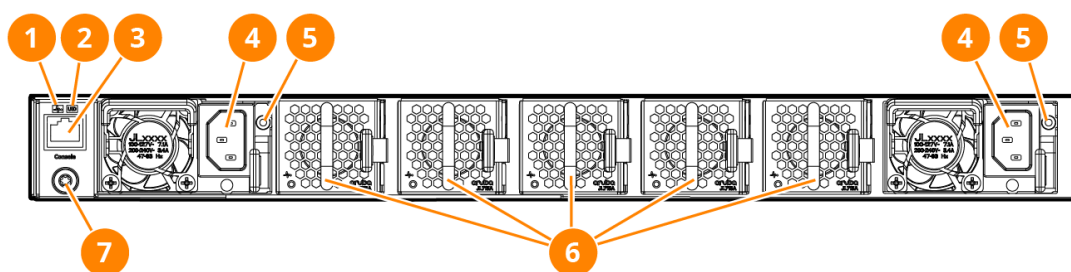


Label	Description
1	Global Status LED
2	Unit Identification/Locator LED
3	RJ-45 Serial Console Port
4	Fan Trays (1-3)
5	Power Supplies (1-2)



Label	Description
	Left side is PSU 1 Right side is PSU 2
6	Power Supply Status LED
7	AC Inlet (C14 socket)
8	Power Supply Status LED
9	AC Inlet (C14 socket)
10	Optional Ground Lug mounting location

**Figure 2** Back of HPE Aruba Networking 8360-48Y6C Switch



The back of 8360-48Y6C switches include five fan modules.

Label	Description
1-2	Health and UID LEDs
3	RJ-45 Serial Console Port
4	AC Inlet (C14 socket)
5	Power Supply Status LED
6	Fan Trays (1-5)
7	Optional Ground Lug mounting location

## Management Ports

Information about the Console Port.

### Console Port (RJ-45)

The RJ-45 console port is used for CLI serial port access.



---

RJ-45 and USB-C console ports provide CLI serial port access. The system will output to both consoles simultaneously, but the system will only accept input from one console port. If both RJ-45 and USB-C are connected, USB-C has priority.

---

The 8360 switches use a Type-A to Type-C cable to connect the USB-C console port to a USB-A laptop port. Use an adapter (USB-C to USB-A adapter) to connect to a laptop with a Type-C port.

---

## Power Supplies

The HPE Aruba Networking 8360 switch does not have a power switch; it is powered on when at least one installed power supply is connected to an active AC power source. The power supplies automatically adjust to any voltage between 100-127 and 200-240 volts and either 50 or 60 Hz. There are no voltage range settings required.



---

Never insert or remove a power supply while the power cord is connected. Verify that cord has been disconnected from the power supply before installation or removal.

---

The HPE Aruba Networking 8360 switch power supplies adapt electrical power for use with the switch. The chassis has two slots that can hold individual power supplies to support load sharing, redundancy, and fault tolerance. Two color coded power supplies are available for use with HPE Aruba Networking 8360 switches. A red release latch indicates an Port-to-Power cooling air flow. A blue release latch indicates a Power-to-Port cooling air flow.



---

System airflow direction (Port-to-Power or Power-to-Port) is configured automatically at system initialization and cannot be reconfigured by the user. System airflow direction is determined by the power supply type installed in PS1 at initialization time (or PS2 if PS1 is absent or faulted). Any Fan tray or Power supply of conflicting airflow type will be disabled by the system. Ensure only matching fan trays and power supplies are used at any given runtime.

---

**Figure 1** HPE Aruba Networking 8360 550W power supplies

**Figure 2** HPE Aruba Networking 8360 850W power supplies

Label	Description	Color Code
1	Aruba X391 550W Power Supply Unit (JL600A) (Port-to-Power Airflow)	Red
2	Aruba X391 550W Power Supply Unit (JL712A) (Power-to-Port Airflow)	Blue
3	Aruba X391 850W Power Supply Unit (JL601A) (Port-to-Power Airflow)	Red
4	Aruba X391 850W Power Supply Unit (JL713A) (Power-to-Port Airflow)	Blue

The HPE Aruba Networking 8360 switch is shipped with two hot-swappable, field-replaceable, AC power supplies. Each power supply has a country-specific power cord for connection to an AC power outlet. The switch can operate with one active power supply.

## Power Supply Instructions



For indoor use only. The switch, AC power cord and all connected cables are not designed for outdoor use.



During installation, ensure that AC power is NOT connected to the power supply being installed.



Shock hazard. To completely remove power from the switch, disconnect all power cords.



For important safety, environmental, and regulatory information, see *Safety and Compliance Information for Server, Storage, Power, Networking, and Rack Products*, available at <http://www.hpe.com/support/Safety-Compliance-EnterpriseProducts>

<b>Brazil Statement</b>	Este equipamento deve ser conectado obrigatoriamente em tomada de rede de energia elétrica que possua aterramento (três pinos), conforme a Norma NBR ABNT 5410, visando a segurança dos usuários contra choques elétricos.)
-------------------------	-----------------------------------------------------------------------------------------------------------------------------------------------------------------------------------------------------------------------------

## Power Supply Status LED

Chassis LEDs	Function	State	Meaning
Status LED	Displays power supply status	ON green	The power supply is operating normally.
		FLASH green	The power supply is disabled by software which occurs when it does not match System Airflow definition.
		ON or FLASH amber	The power supply is experiencing a fault. After power cord is removed, LED will light amber briefly and then go off.
		OFF	The power supply is unpowered, inserted into switch but no AC power connected.

## Load Sharing

Load sharing occurs when two power supplies are installed in the switch and powered on. Load sharing divides the total power load of the switch among both power supplies.

## Redundancy

With power redundancy, the HPE Aruba Networking 8360 switch can continue normal operation even when one power supply fails or is powered off. When two power supplies are installed, if one becomes unavailable (fails, is powered off or removed) the remaining power supply provides full power for the device.

Even though the switch will run with one power supply removed, for thermal integrity reasons it is highly recommended not to remove a failed power supply until the replacement can be installed.

## Hot Swapping

Hot swapping allows you to replace one failed power supply while the other provides full power. This makes it unnecessary to shut down the switch during the replacement procedure.



---

If both power supplies are faulted, missing and/or use misconfigured airflow direction, the system will shut down for five minutes due to insufficient cooling.

---



---

Never insert or remove a power supply while the power cord is connected. Verify that the cord has been disconnected from the power supply before installation or removal.

---

## Fan Trays

The HPE Aruba Networking 8360 48Y6C switch is equipped with five field-replaceable, hot-swappable fan trays. Each fan tray features individual fans that pull air through the chassis from Port-to-Power or Power-to-Port. Non-8360 48Y6C SKUs identified in this document are equipped with three field-replaceable, hot-swappable fan trays.

- Port-to-Power Airflow (Fan Tray): JL714A
- Power-to-Port Airflow (Fan Tray): JL715A



---

In the event of missing fan trays, misconfigured airflow direction, and/or faulted fans, the switch will try to maintain adequate cooling by increasing fan speeds and/or disabling misconfigured devices. If adequate cooling cannot be maintained, the switch will power off for five minutes before rebooting and assessing cooling capabilities.

---



---

Fan trays and power supplies installed in an 8360 switch must have the same cooling air flow direction (port-to-power or power-to-port). Air flow direction in an 8360 switch is not controlled by software. To change the air flow direction, replace the power supplies and fan trays with power and fan tray units supporting the air flow direction required.

---



---

For all SKUs (excluding 8360-48Y6C,) a minimum of two working fan trays is required for operation. If fewer than three working fan trays are detected, the Global status, Rear status, and corresponding Fan Tray LEDs will FLASH amber. For the 8360-48Y6C, a minimum of four working fan trays is required for operation. If fewer than five working fan trays are detected, the Global status, Rear status, and corresponding Fan Tray LEDs will FLASH amber. The system will automatically shut down if overheating is detected.

---



---

If one fan tray is missing for more than two minutes the system will shutdown. If two or more fan trays are missing, the system will shutdown for five minutes and then reboot to reassess cooling capabilities.

---



---

System airflow direction (Port-to-Power or Power-to-Port) is configured automatically at system initialization and cannot be reconfigured by the user. System airflow direction is determined by the power supply type installed in PS1 at initialization time (or PS2 if PS1 is absent or faulted). Any Fan tray or Power supply of conflicting airflow type will be disabled by the system. Ensure only matching Fan trays and Power supplies are used at any given runtime.

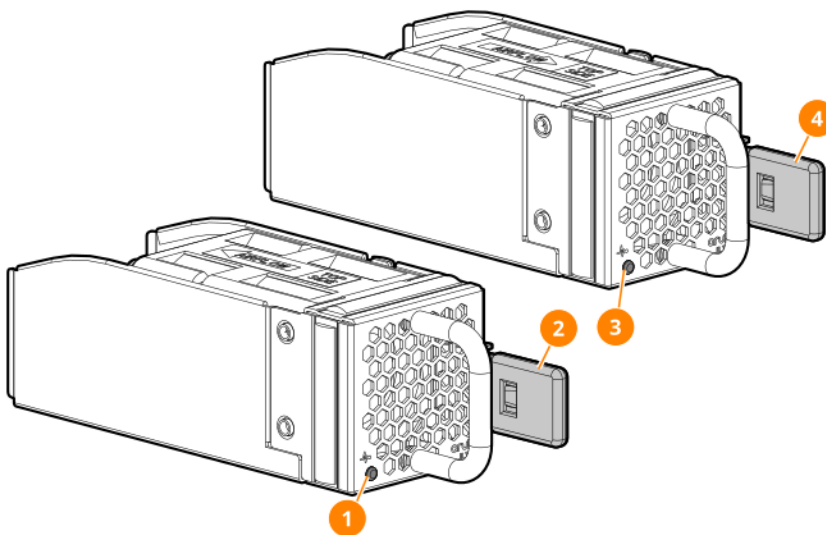
---

Fan trays are color-coded for Port-to-Power or Power-to-Port cooling airflow.

- Red release latch indicates Port-to-Power airflow.
- Blue release latch indicates Power-to-Port airflow.

Fan tray	Color code
Aruba 8360 Port-to-Power Fan Tray (JL714A)	Red
Aruba 8360 Power-to-Port Fan Tray (JL715A)	Blue

**Figure 1** HPE Aruba Networking 8360 fan trays



Label	Description
1	Status LED (JL715A)
2	Release Latch (JL715A)
3	Status LED (JL714A)
4	Release Latch (JL714A)

The switch can tolerate the failure of a single fan tray while maintaining a safe operating temperature. The switch may continue to operate with one failed fan tray. If the switch reaches an overtemp condition, the switch will shut down. For best operation, the failed fan tray should be replaced as soon as possible.

If one fan tray has failed, the Global status, Back status and failed Fan tray LED will FLASH amber.

If multiple Fan trays have failed, the switch will power off and reboot in 5 minutes to reassess cooling capabilities.




---

The HPE Aruba Networking 8360 switch is not compatible with fan trays from other HPE Aruba Networking hardware platforms.

---

## Fan Tray Status LED

Fan tray LED	Function	State	Meaning
Status LED	To display fan tray status.	ON green	The fan tray is operating normally
FLASH amber (OS-CX)	The fan tray has been disabled by the system due to a failed fan, insertion of an illegal fan tray or other fault. All fault events that occur in OS-CX will correspond to a warning available in the Event Log.	--	

Use the **show environment fan** command for fan tray status information. (See the *Fundamentals Guide* for your switch.)

## Switch Features

The features of the 8360 switches include:

- Combinations of QSFP28, SFP28, SFP+ and 10GBase-T SmartRate ports.
  - For a secure environment, all ports are disabled by default.
- Dual power supplies: Adding a second power supply provides redundant system power. If one of the power supplies fails, the second power supply continues to provide the power necessary to keep the switch running.

- Easy management of the switch through several available interfaces:
  - **Command line interface:** A full-featured, easy-to-use, VT-100 terminal interface for out-of-band switch management.
  - **Web browser interface:** An easy-to-use built-in graphical interface that can be accessed from common web browsers.
  - **REST API:** An accessible interface for managing the switch via Central, AFC, or customized scripts.
- Support for up to 4094 IEEE 802.1Q-compliant VLANs so you can divide the attached end nodes into logical groupings that fit your business needs.
- Support for many advanced features to enhance network performance. For a description, see the OS-CX guides for your switch.
- Ability to update the switch software. To download product updates, go to the [HPE Networking Support Portal](#).



---

The HPE Aruba Networking 8360 Switch Series has a total of 64 destination interfaces.

---



The following sections show how to install the switch. For mounting options, see [Mount the Switch on page 35](#) or contact your HPE Aruba Networking representative or HPE Aruba Networking authorized reseller.

### Included Parts

The 8360 switch is shipped with the following components:

- Documentation kit
- Power cord: The following (part number or J-number/SKU) are orderable through HPE Aruba Networking purchasing. Two power cords required per switch.

Argentina	8121-0729 J9891A	Israel	8121-1004 J9899A
Australia/New Zealand	8121-0837 J9883A	Japan	8121-1143 J9893A
Brazil	8121-1071 J9894A	Switzerland	8121-0738 J9898A
Chile	8121-0735 J9886A	South Africa	8121-0737 J9897A
China	8121-0943 J9890A	Taiwan	8121-0964 J9887A
Continental Europe/South Korea	8121-0731 J9885A	Philippines/Thailand	8121-0734 J9895A
Denmark	8121-0733 J9888A	UK/Hong Kong/Singapore/Malaysia	8121-0739 J9884A
India	8121-0564 J9892A	US/Canada/Mexico	8121-1141 J9896A
NA Hi-Voltage (non-locking) C13 to NEMA 6-20	8120-3996 J9936A	PDU NA/Japan/TW/Rest of World	142263-001 JL697A
NA Hi-Voltage (locking) C15 to NEMA L6-20	8121-0941 J9955A*	PDU Rest of World	8121-1094 J9944A
PDU India-only	P09371-001 JL671A		

The following part number or J-number/SKU are orderable through HPE Aruba Networking purchasing. Two power cords required per switch.

Argentina	8121-1481 J9891A	Israel	8121-1004 J9899A
Australia/New Zealand	8121-1476 J9883A	Japan	8121-1143 J9893A
Brazil	8121-1265 J9894A	Switzerland	8121-1480 J9898A

Chile	8121-1477 J9886A	South Africa	8121-1483 J9897A
China	8121-1484 J9890A	Taiwan	8121-1511 J9887A
Continental Europe/South Korea	8121-1479 J9945A	Philippines/Thailand	8121-1485 J9895A
Denmark	8121-1486 J9888A	UK/Hong Kong/Singapore/Malaysia	8121-1475 J9884A
India	8121-1721 J9892A	US/Canada/Mexico	8121-0914 J9896A

\*Ordered separately from the switch. To order a switch that will use a J9955A power cord, use the “no power cord” option, #AC3, and specify the J9955A power cord as a separate line item in the order.]

製品には、同梱された電源コードをお使い下さい。  
同梱された電源コードは、他の製品では使用出来ません。

## Parts not included




---

If you have not already done so, order an HPE Aruba Networking rack mount kit for use with your 8360 switch.

---

Rack mounting your HPE Aruba Networking 8360 switch is supported using these rack mount kits:

- JL9583B, Aruba X414 1U Universal 4-Post Rack Mount Kit (Ordered separately.)

A DB9-to-RJ-45 console cable can be ordered from HPE: JL448A, Aruba X2C2 RJ45 to DB9 Console Cable.

## Installation Procedures for 8360 Switches

1. [Prepare the Installation Site on page 32](#)
2. [Install Power Supplies on page 33](#)
3. [Install Fan Trays](#)
4. [Power-on the switch and check LEDs on page 35](#)
5. [Power off the switch on page 35](#)
6. [Mount the Switch on page 35](#)
7. [Install Transceivers on page 39](#) (optional)
8. [Connect the Switch to a Power Source on page 41](#)
9. [Setup for Initial Configuration on page 42](#)

## Installation Precautions and Guidelines

To help avoid personal injury or product damage when installing your switch, read the following installation precautions and guidelines.



- 
- Do not mount the switch on a wall, under a table, or under any other horizontal surface.
  - Mount devices installed in a rack or cabinet as low as possible. Put the heaviest devices at the bottom and progressively lighter devices positioned higher.
  - To prevent the rack or cabinet from becoming unstable and/or falling over, ensure that it is adequately secured.
  - The switch may use more than one power supply cable. To fully power down the switch, you must disconnect all power supply cables from the switch.
- 



- 
- Ensure the power source circuits are properly grounded. Then connect the switch to the power source by using the power cord supplied with the switch. For more information on power cords, see [Power Cords](#).
  - When installing the switch, the AC outlet should be near the switch and be easily accessible in case the switch must be powered off.
  - Ensure that the power cord and network cables at the switch mounting location do not create a tripping hazard.
  - Do not install the switch in an environment where the operating ambient temperature exceeds its specification. See the environmental operating temperature information in the [Environmental Specifications on page 60](#) section of this guide.
  - Ensure that the switch does not overload the power circuits, wiring, and over-current protection. To determine the possibility of overloading the supply circuits, add the ampere ratings of all devices installed on the same circuit as the switch. Then compare the total with the rating limit for the circuit. The maximum ampere ratings for a device are usually printed near the device AC power connectors.
  - Do not block any ventilation openings on the front or rear of the switch.
  - Leave a minimum of 6 inches (15.24 cm) for cooling at the front and back of the switch. For the air flow direction, see the [Fan Trays on page 26](#) section of this guide.
  - If a power supply must be removed and reinstalled, wait at least 5 seconds before reinstallation. Otherwise, damage to the switch may occur. The power supply needs this time to bleed off any retained power.
- 



- 
- The 8360 switch port side transceiver slots support SFP, SFP+, SFP28, QSFP+ and QSFP28 transceivers.
  - For more information, see the latest version this guide and the *ArubaOS-Switch and ArubaOS-CX Transceiver Guide*.
- 

## Prepare the Installation Site

**Cabling Infrastructure:** Ensure the cabling infrastructure meets the necessary network specifications.

**Installation Location:** Before installing the switch, plan its location and orientation relative to other devices and equipment:

- In the front of the switch, leave a minimum of 6 inches (15.24 cm) of space for the twisted-pair and fiber-optic cabling.
- In the back of the switch, leave a minimum of 6 inches (15.24 cm) of space for the power cord.

Cooling air flow in HPE Aruba Networking 8360 switches is Port-to-Power or Power-to-Port, depending on which power supply and fan tray options are installed. To reverse the cooling air flow direction in an 8360 switch, you must replace the existing power supplies and fan trays with power supplies and fan trays having the opposite air flow direction. All fan trays and power supplies installed in an 8360 switch must have the same air flow direction. See [Fan Trays](#) for further detail.



---

To avoid personal injury or product damage, review [Installation Precautions and Guidelines on page 31](#) before starting installation.

---

## Install Power Supplies

### Prerequisites

Skip this step if two power supplies are already installed in the switch

If two power supplies are not already installed in the switch, install power supplies in both slots before proceeding.

- Aruba 8360 550W (JL600A) Port-to-Power Airflow
- Aruba 8360 550W (JL712A) Power-to-Port Airflow
- Aruba X391 850W (JL601A) Port-to-Power Airflow
- Aruba X391 850W (JL713A) Power-to-Port Airflow



---

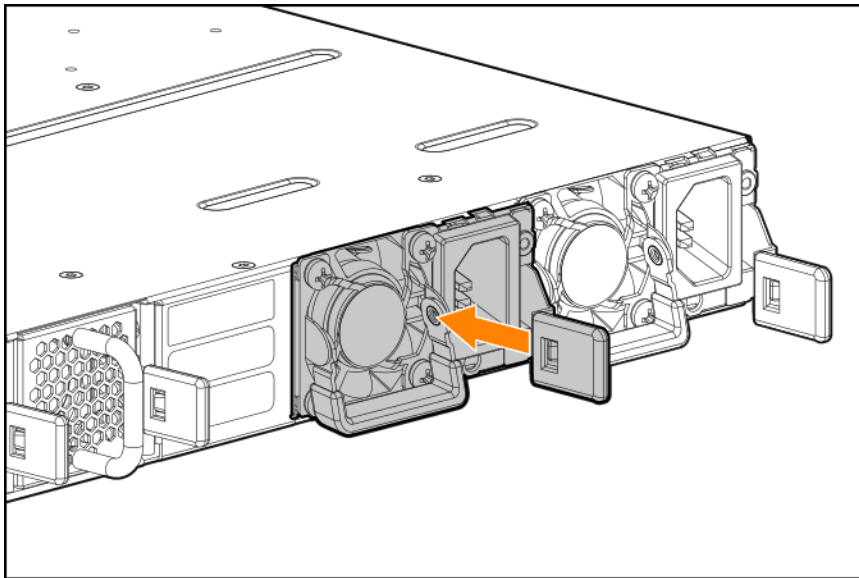
850W supplies are only applicable to the 8360-48Y6C switch.

---



- A red-colored power supply release latch indicates a Front-to-Back air flow. A blue-colored power supply release latch indicates a Back-to-Front air flow.
  - Power supply air flow direction must match.
-

**Figure 1** *Installing a power supply*



## Install Fan Trays

Skip this step if all fan tray slots are already populated with fan trays.

Use the following steps to install a fan tray in any empty fan tray slot.



- Ensure that a replacement fan has the same airflow as other fan trays installed in the switch (Port-to-Power or Power-to-Port).
- A red-colored fan handle indicates a Port-to-Power air flow. A blue-colored fan handle indicates a Power-to-Port air flow.



In the event of missing fan trays, misconfigured airflow direction, and/or faulted fans, the switch will try to maintain adequate cooling by increasing fan speeds and/or disabling misconfigured devices. If adequate cooling cannot be maintained, the switch will power off for five minutes before rebooting and assessing cooling capabilities.



Fan trays and power supplies installed in an 8360 switch must have the same cooling air flow direction (port-to-power or power-to-port). Air flow direction in an 8360 switch is not controlled by software. To change the air flow direction, replace the power supplies and fan trays with power and fan tray units supporting the air flow direction required.



For all SKUs (excluding 8360-48Y6C,) a minimum of two working fan trays is required for operation. If fewer than three working fan trays are detected, the Global status, Rear status, and corresponding Fan Tray LEDs will FLASH amber. For the 8360-48Y6C, a minimum of four working fan trays is required for operation. If fewer than five working fan trays are detected, the Global status, Rear status, and corresponding Fan Tray LEDs will FLASH amber. The system will automatically shut down if overheating is detected.



---

If one fan tray is missing for more than two minutes the system will shutdown. If two or more fan trays are missing, the system will shutdown for five minutes and then reboot to reassess cooling capabilities.

---



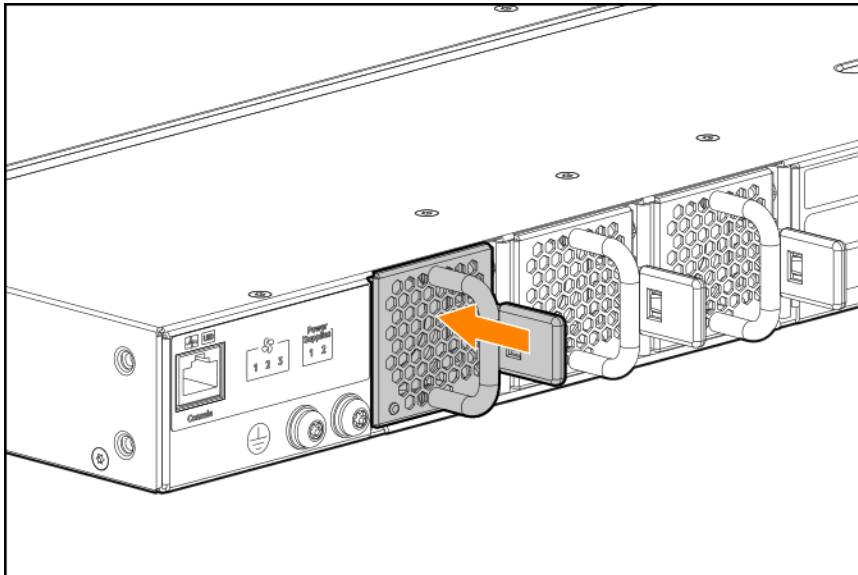
---

System airflow direction (Port-to-Power or Power-to-Port) is configured automatically at system initialization and cannot be reconfigured by the user. System airflow direction is determined by the power supply type installed in PS1 at initialization time (or PS2 if PS1 is absent or faulted). Any Fan tray or Power supply of conflicting airflow type will be disabled by the system. Ensure only matching Fan trays and Power supplies are used at any given runtime.

---

1. Remove the new fan tray from its packaging, being careful to not touch any of the circuitry on the board.
2. Insert the new fan tray fully into the slot so that its face plate is flush with the back face of the switch and the latch clicks.

**Figure 1** *Installing a fan tray*



## Power-on the switch and check LEDs

### Prerequisites

The HPE Aruba Networking 8360 switch does not contain a power on/off switch. It is turned on by connecting the AC power cord to the switch and an AC power source.

Check LEDs for proper switch operation. For further detail see [Checking the Switch LEDs on page 53](#)

## Power off the switch

### Prerequisites

Remove the power cord from the switch and from the power source.

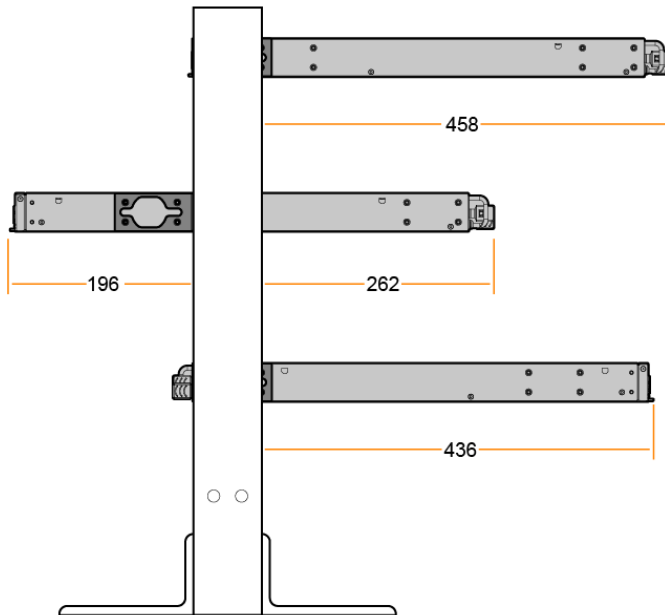
## Mount the Switch

The supported mounting options for the HPE Aruba Networking 8360 switch include:

### **Aruba X412 1U Universal 2-Post RM Kit (JL704C/JL705C)**

Brackets mount in three positions:

- Front position (switch extends 432 millimeters behind rack post)
- Center-of-Gravity (switch protrudes 196 millimeters from the front of the rack post and 243 millimeters behind the rack post)
- Rear position (switch extends 410 millimeters behind the rack post)



### **Aruba X414 1U Universal 4-Post RM Kit (JL9583B)**

4-Post rack mountable with 4-Post rack mount kit in Port-to-Power or Power-to-Port configurations.

### **Two-post Rack Mount Option**

The switch is designed to be mounted in any EIA-standard 19-inch telco rack or communication equipment cabinet using the HPE Aruba Networking X412 1U Universal 2-Post Rack Mount Kit.



---

For safe operation, please review the mounting precautions in [Installation Precautions and Guidelines](#), before mounting a switch.

---



---

The 12-24 screws supplied with the two-post rack mount kit are the correct threading for standard EIA/TIA open 19-inch racks. If installing the switch in an equipment cabinet such as a server cabinet, use the clips and screws that came with the cabinet in place of the 12-24 screws that are supplied with the two-post rack mount kit.

---

Complete step 1, and plan which four holes you will be using in the cabinet and install all four clips. Then proceed to step 2.

---

1. Use a T20 drive screwdriver and attach the mounting brackets to the switch with the included 6-mm M4 screws.

The brackets can be attached in three different positions to achieve the following:

- Front position (front of switch, port side, is flush with front of rack).
- Center-of-Gravity position (switch is centered with weight evenly distributed).
- Rear position (rear of switch, power side, aligns with front of rack - some components protrude, not flush).

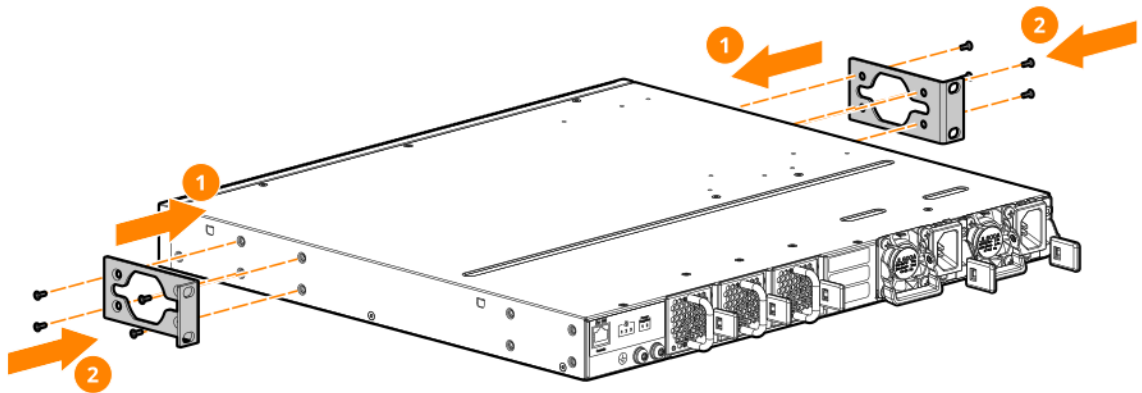


---

See [Mount the Switch](#) for further detail.

---

**Figure 1** Attaching two-post mounting brackets to the switch



For safe reliable installation, only use the screws provided in the accessory kit to attach the mounting brackets to the switch.

---



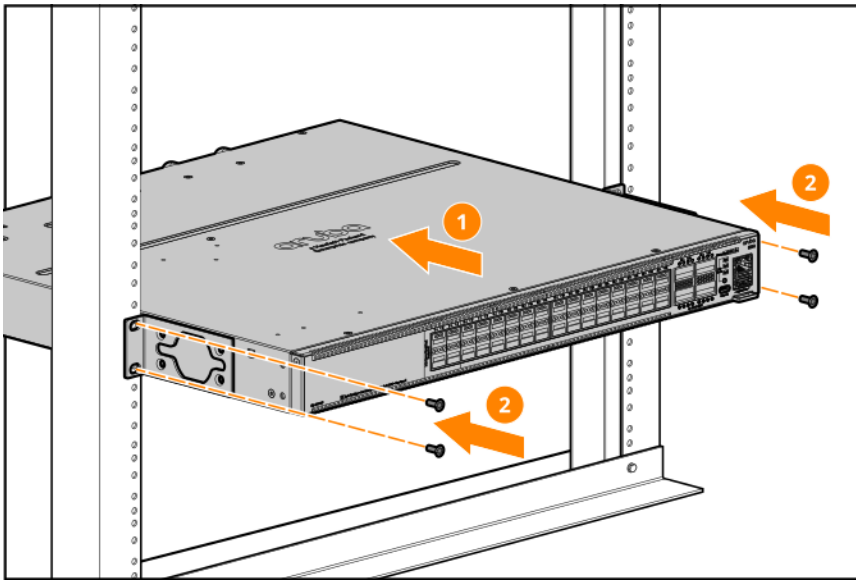
The mounting brackets have multiple mounting holes and can be rotated allowing for a wide variety of mounting options.

---

2. Hold the switch with attached brackets up to the rack and move it vertically until rack holes line up with the bracket holes, then insert and tighten the four number 12-24 screws, attaching the brackets to the rack.



**Figure 2** Mounting the switch in a two-post rack (Center-of-Gravity position)



### Four-Post Rack Mount Option

The HPE Aruba Networking 8360 switch can be mounted in four-post racks and cabinets by using the Aruba X414 1U Universal 4-Post Rack Mount Kit (J9583B).



---

For safe operation, please read the mounting precautions in [Installation Precautions and Guidelines on page 31](#), before mounting a switch.

---



---

The rack rails are intended for ease of installation only, do not use rails to support the switch in any extended position. Switch must be immediately secured with screws after installation.

---



---

The 12-24 screws supplied with the four-post rack mount kit are the correct threading for standard EIA/TIA open 19-inch racks. If installing the switch in an equipment cabinet such as a server cabinet, use the clips and screws that came with the cabinet in place of the 12-24 screws that are supplied with four-post rack mount kit (J9583B).

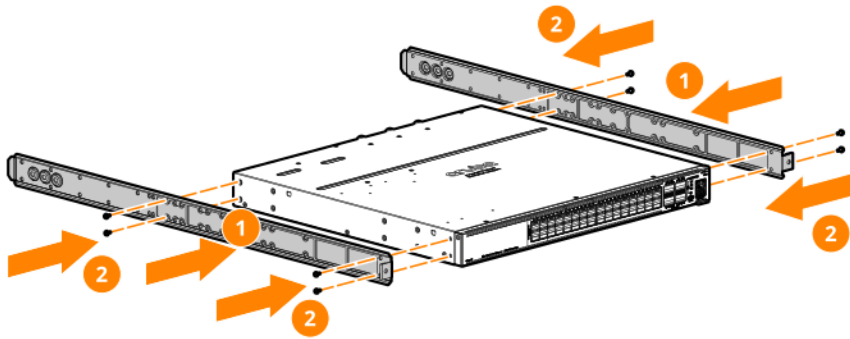
---

Complete step 1, and plan which holes you will be using in the cabinet and install all four clips. Then proceed to step 2.

---

1. Use a T20 drive screwdriver and attach the front-post and rear-post rack mount brackets to the switch with the included 8-mm M4 screws.

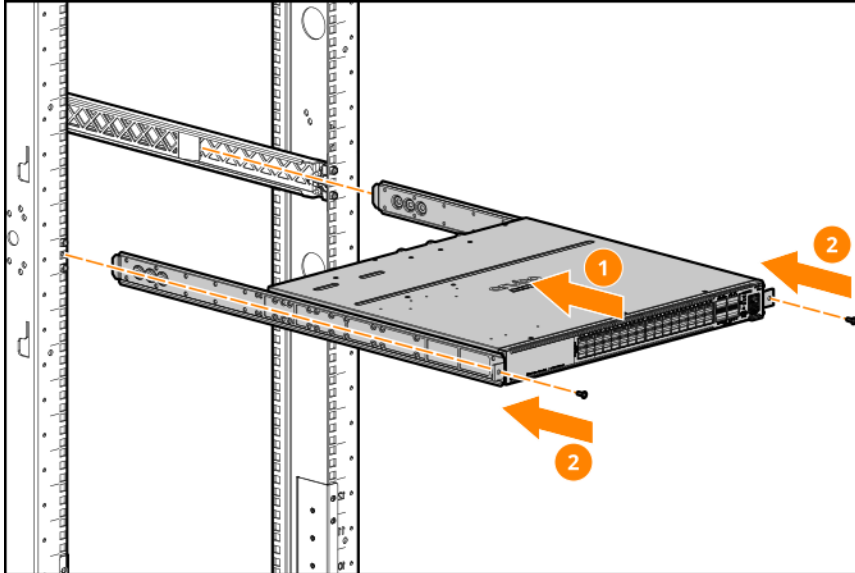
**Figure 1** Attaching four-post mounting brackets to the switch



For safe, reliable installation, only use the screws provided in the accessory kit to attach the mounting brackets to the switch.

2. Attach the rack slides to the sides of the switch using eight 8-mm M4 screws. Four screws per slide.
3. Install rack rail assemblies to the four-post rack, see the *Start Here* guide for your four-post rack (J9583B).
4. Hold the switch with attached brackets and slides up to the rack and align, then insert the inner rack slides into the rack rail assemblies. Insert and tighten two number 10-32 screws, attaching the rack slides to the rack rail assemblies.

**Figure 2** Mounting the switch in a four-post rack



5. Secure the rear-post brackets to the rack rear posts using two number 10-32 screws.

## Install Transceivers

Hold the transceiver by its sides and gently insert it into the switch until it clicks into place. When a transceiver is inserted, the switch authenticates it. This can take 1-3 seconds, with the worst case being 5 seconds.



- The HPE Aruba Networking transceivers are Class 1 laser devices. Avoid direct eye exposure to the beam coming from the transmit port.
- The transceivers operate only at full duplex. Half duplex operation is not supported.
- Use of supported genuine HPE Aruba Networking transceivers is always recommended. Non-HPE Aruba Networking SFP28/QSFP+/QSFP28 transceivers are not supported. Non-HPE Aruba Networking SFP/SFP+ transceivers can be used in unsupported transceiver mode, but no support or warranty will be provided. Should you require additional transceivers, contact your HPE Aruba Networking sales representative or an authorized reseller.

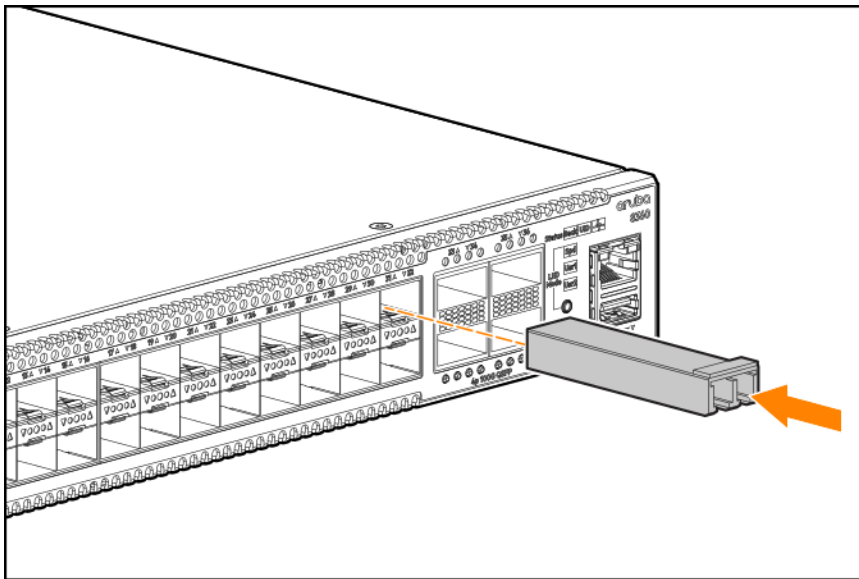


- Always disconnect the network cable from a transceiver before installing it in the switch.
- You can install or remove a transceiver from an SFP/QSFP slot without having to power off the switch.
- For more transceiver support information for your switch model, see the *ArubaOS-Switch and ArubaOS-CX Transceiver Guide*.



- Support for ER4L and FR1 transceivers in JL720C pwr-to-prt configuration is limited to 35C max ambient, ports 50 and 52 only, due to thermal constraints.

## Installing a transceiver



## Interface Group Operation

The SFP28 ports 1-4 in the Aruba 8360 32Y4C (JL700A/JL701A) are organized into an interface-group of 4 ports. All transceivers in that interface-group must have the same speed. For example, if the interface-group is configured for 25 Gbps operation, any 10 Gbps transceivers installed will be in conflict with the interface-group configuration and will not be enabled. Any interface in conflict with the current configuration will cause a fault event to be logged in the event log, the interface will be labeled as a "group speed mismatch", and the port LED will flash amber to indicate an installation error was detected. All fault indications will flash with the Chassis Status LED to alert the user.

In the default switch configuration, the interface-group is configured to 25 Gbps. To configure the speed for an interface-group to 10 Gbps, use the system interface-group **<GROUP-ID> speed <10g|25g>** command. For example, to configure interface-group 1 for 10g, use this command: **switch(config)# system interface-group 1 speed 10g**. Once entered, the switch will present the warning and required user response:

```
Changing the group speed will disable all member interfaces that do not match the
new speed.
Continue (y/n)? y
```

## Port Group Speeds



Some switch models have a restriction that all transceivers installed in a group of ports must have compatible speeds. The table below shows the port groups for all models with this restriction.

Switch	Group(s)	Ports	Default Speeds	Alternate Speeds
Aruba 8360-32Y4C PrtToPwr Configuration (JL717A)	1	1-4	25Gbps only	10Gbps only
Aruba 8360-16Y2C v2 Switch (JL717C)	1 2-8	1-4 5-32	25Gbps only 25Gbps and lower	10Gbps only 50Gbps only
Aruba 8360-16Y2C v2 Switch (JL718C)	1-4	1-16	25Gbps and lower	50Gbps
Aruba 8360-48Y6C v2 Switch (JL719C)	1 2-12	1-4 5-48	25Gbps only 25Gbps and lower	10Gbps only 50Gbps only



For groups where the alternate speed is 50Gbps, only the even number ports of the group support 50Gbps transceivers. The odd number ports of the group are not available when the group is configured for 50Gbps operation.

Use the following to configure the speed for group of interfaces:

```
#### Syntax
< pd platform ="8360">
'system interface-group <group> speed <speed>'
'no system interface-group <group>'
< /pd>
```

## Connect the Switch to a Power Source

1. If two power supplies are not already installed in the switch, see [Install Power Supplies on page 33](#).

2. Plug the included power cords into the power supply's power connector and into a nearby AC power source.
3. Check the LEDs. See [Chassis and Port LEDs on the front of the switch on page 11](#).



---

One power supply provides power to operate the switch. Installing a second power supply can provide power to the switch in case the initial power supply fails. If the power supplies are plugged into different AC power sources, redundant power can be supplied in case of loss of one of the AC power sources.

---

## Setup for Initial Configuration

You can perform the initial configuration of the switch using one of these methods:

- **Using Zero Touch Provisioning (ZTP):** Use ZTP to configure a switch automatically from a remote server. The switch must be in the factory default configuration. If ZTP is to be used, your network administrator or installation site coordinator must provide an RJ-45 cable connected to the appropriate network. Connect the switch to the network using the RJ-45 out-of-band management port and power on the switch (or power off, then power on the switch). The ZTP operation is attempted for the first 10 minutes after the switch is powered on. For more information about ZTP, see the *Fundamentals Guide* for your switch and software release.
- **Using the Aruba CX mobile app:** The Aruba CX mobile app and the Aruba USB Bluetooth adapter (separately orderable SKU# S1H23A) enable you to configure your switch from your mobile device. For information about using the Aruba CX mobile app to configure the switch, see the *Fundamentals Guide* for your switch and software release.
- **Using an out-of-band serial console:** Use a workstation configured with suitable VT-100 terminal emulation software and connect the workstation to the switch's RJ-45 Console Port. A DB9-to-RJ-45 console cable can be ordered from HPE: JL448A, Aruba X2C2 RJ45 to DB9 Console Cable. For more information about this method see [Initial Configuration with an Out-of-Band Serial Connection](#).
- **Using connections to the out-of-band dedicated management network:** Use a workstation configured with suitable VT-100 terminal emulation software and SSH software. Connect the workstation and the switch to the same management network. Connect the switch to the network using the RJ-45 out-of-band management port. For more information about using this method, see the *Fundamentals Guide* for your switch and software release. The switch can simultaneously support one console session through the console port and multiple network SSH sessions through the management port.

## Connect Network Cables

Connect the network cables from the network devices or your patch panels to the RJ-45 out-of-band management port on the switch or to any transceivers you have installed in the switch. See [Prepare the Installation Site](#) for further detail.

### Using RJ-45 Out-of-band Management Port

If you plan to manage the switch from a dedicated management network, connect an RJ-45 network cable from the management network to the Mgmt port. The Mgmt port supports 10, 100, and 1000 Mbps connections.

**To connect:**

Push the RJ-45 plug into the RJ-45 port until the tab on the plug clicks into place. When power is on for the switch and for the connected device, the Link LED for the port should light to confirm a powered-on device (for example, an end node) is at the other end of the cable.

If the Link LED does not turn on when the network cable is connected to the port, see [Diagnosing with the LEDs](#) in the Troubleshooting chapter.

**To disconnect:**

Press the small tab on the plug and pull the plug out of the port.

**Connecting Cables to Transceivers**

If you have any transceivers installed in the switch, the type of network connections you will need to use depends on the type of transceivers installed. See [Cabling and Technology Information](#).

For transceiver ports, and in general for all the switch ports, a network cable from an active network device is connected to the port. If the port LED does not come on when the network cable is connected to the port, see [Diagnosing with the LEDs](#) in the Troubleshooting chapter.



---

Ports are disabled by default.

---

# Initial Configuration with an Out-of-Band Serial Connection

## Terminal Configuration

To connect a console to the switch, configure the PC terminal emulator as a DEC VT-100 (ANSI) terminal or use a VT-100 terminal, and configure either one to operate with these settings:

- A baud rate of 115200.
- 8 data bits, 1 stop bit, no parity, and flow control set to off.
- For the Windows Terminal program, also disable (uncheck) the “Use Function, Arrow, and Ctrl Keys for Windows” option.
- For the Hilgraeve HyperTerminal program, select the “Terminal keys” option for the “Function, arrow, and ctrl keys act as” parameter.

If you want to operate the console using a different configuration, make sure you change the settings on both the terminal and on the switch so they are compatible. Change the switch settings first, then change the terminal settings, then reboot the switch and reestablish the console session.

## Connect to Console Port

To connect a console to the switch, follow these steps:

1. Connect the PC or terminal to the switch’s Console Port using a console cable (JL448A; sold separately).
2. Turn on the terminal or PC’s power and, if using a PC, start the PC terminal program.
3. Press **[Enter]** two or three times. When prompted to log in specify **admin**. When prompted for the password, press **[Enter]**. (By default, no password is defined.)

You are placed into the manager command context, which is identified by the prompt: `switch#`. For example:

```
login as: admin
Password:

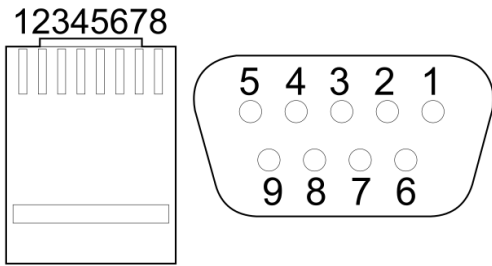
switch#
```

If you want to continue with console management of the switch at this time, see the *Fundamentals Guide* for initial configuration steps. For more detailed information, refer to the switch software manuals for your switch.

## Console Cable Pinout

The Aruba X2C2 RJ45 to DB9 Console Cable (JL448A) has an RJ-45 plug on one end and a DB-9 female connector on the other end.

## RJ-45 to DB-9 pinouts



RJ-45 (Signal reference from chassis)	>	DB-9 (Signal reference from PC)	
Reserved	1	8	CTS
Reserved	2	6	DSR
TXD	3	2	RXD
Reserved	4	1	DCD
GND	5	5	GND
RXD	6	3	TXD
Reserved	7	4	DTR
Reserved	8	7	RTS
-	-	9	RI



This chapter describes how to remove and install the following components:

- Power supply
- Fan tray

The power supplies and fan trays are hot swappable. You do not need to power off the switch before installing or replacing a power supply or fan tray.



- 
- The HPE Aruba Networking 8360 switch and its components are sensitive to static discharge. Use an antistatic wrist strap and observe all static precautions when replacing components.
  - If a power supply must be removed and then reinstalled, wait at least 5 seconds before reinstallation. Otherwise, damage to the switch may occur. The power supply needs this time to bleed off any retained power.
- 

## Replacing a Power Supply



---

Never insert or remove a power supply while the power cord is connected. Verify that cord has been disconnected from the power supply before installation or removal.

---

If the HPE Aruba Networking 8360 switch is configured with a redundant power supply, the switch will not suffer any loss of traffic or performance if a power supply fails. To maintain system redundancy, a failed power supply should be replaced as soon as possible. The LED on PSU1 or PSU2 will be on or flashing amber if faulted.

Two power supplies are available for use with the switch:

- Aruba X391 550W (JL600A) (Port-to-Power Airflow)
- Aruba X391 550W (JL712A) (Power-to-Port Airflow)
- Aruba X391 850W (JL601A) (Port-to-Power Airflow)
- Aruba X391 850W (JL713A) (Power-to-Port Airflow)



---

850W supplies are only applicable to the 8360-48Y6C switch only.

---



---

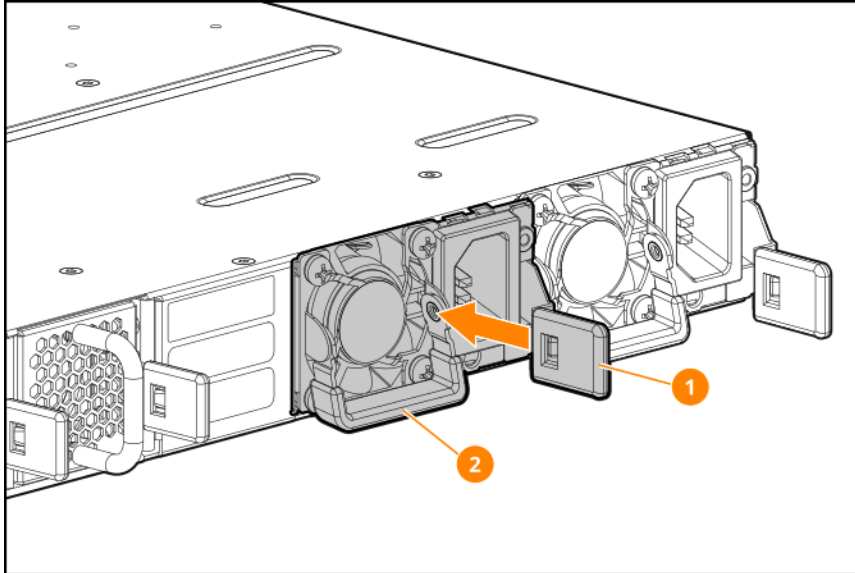
Cooling air flow (Port-to-Power or Power-to-Port) must be the same for both the power supply and the fans installed in the switch.

---

To remove an AC power supply:

1. Remove the AC power cable from the power supply's connector.
2. Grasping the handle of the failed power supply, use the Release Latch to release the locking mechanism.

**Figure 1** Replacing a failed power supply



Label	Description
1	Release latch
2	Power supply pull handle

3. Insert the new power supply. Slide it all the way in until the locking mechanism clicks into place.
4. Connect the AC power cable to the new power supply's connector

## Replacing a Fan Tray

The HPE Aruba Networking 8360 switch is equipped with three field-replaceable, hot-swappable fan trays, while the HPE Aruba Networking 8360-48Y6C switch is equipped with five. The switch can tolerate the failure of a single fan tray while maintaining a safe operating temperature. To maintain system redundancy, a failed fan tray should be replaced as soon as possible. The Fan LED will FLASH amber, indicating a fan tray has failed.



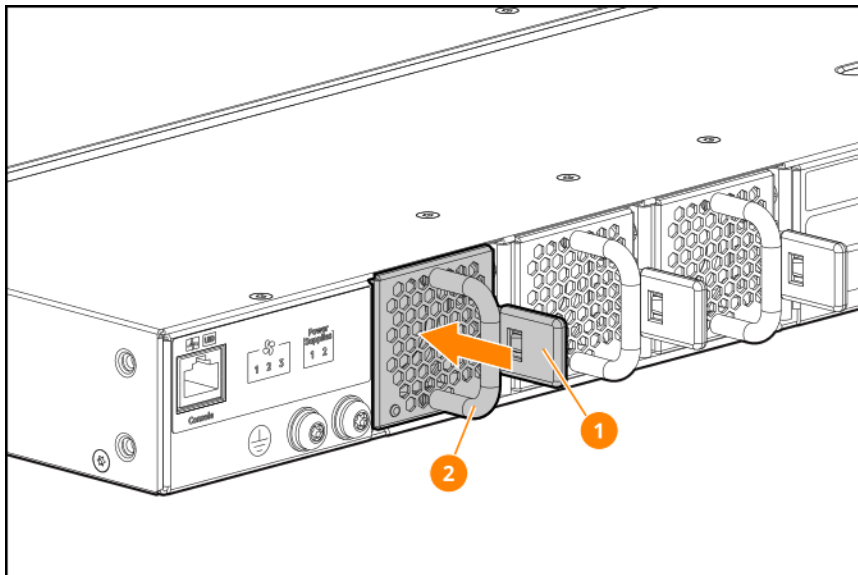
- The HPE Aruba Networking 8360 switch is not compatible with fan trays from other HPE Aruba Networking hardware platforms.
- After removing a fan tray, wait at least five seconds before inserting a replacement fan tray in the same slot.
- Replace only one fan tray at a time. Removing more than one fan tray at a time compromises system cooling, risks damage to the hardware, and can cause the switch to shut down abruptly.
- If there are fewer than three fan trays installed (five for 8360-48Y6C), a two minute count down timer is triggered. If three fan trays (five for 8360-48Y6C) are not present before the countdown expires, the switch will automatically power down for five minutes and then reboot. For this reason, it is not recommended to remove a failed fan tray until you have the replacement fan tray prepared.

Ensure that a replacement fan tray has the same airflow as other fan trays installed in the switch (Port-to-Power or Power-to-Port).

To replace a fan tray:

1. Identify the fan tray by its status LED. The fan tray LED will be FLASHING amber.
2. Remove the new fan tray from its packaging, being careful to not touch any of the circuitry on the board.
3. Grasping the handle of the fan tray, use the Release Latch to release the locking mechanism and pull the fan tray straight out to remove it from its slot.
4. Insert the new fan tray fully into the slot so that its face plate is flush with the back face of the switch and the latch clicks. If the switch is connected to an AC power source, the fan tray should immediately start running.

**Figure 1** *Replacing a fan tray*



Label	Description
1	Fan tray release latch
2	Fan tray handle

This chapter describes how to troubleshoot your switch. This document describes troubleshooting primarily from a hardware perspective. You can perform more in-depth troubleshooting on these devices using the software tools available with the switches, including the full-featured console interface, the built-in web browser interface, Aruba Central or Aruba AirWave.

This chapter describes the following:

- [Basic Troubleshooting Tips on page 49](#)
- [Diagnosing with the LEDs on page 49](#)
- [Hardware Diagnostic Tests on page 53](#)
- [Accessing Updates on page 69](#)
- [Accessing HPE Networking Support on page 69](#)

## Basic Troubleshooting Tips

Most problems are caused by the following situations. Check for these items first when starting your troubleshooting:

- **Faulty or loose cables.** Look for loose or obviously faulty connections. If the cables appear to be OK, make sure the connections are snug. If that does not correct the problem, try a different cable.
- **Non-standard cables.** Non-standard and miswired cables may cause network collisions and other network problems and can seriously impair network performance. Use a new correctly-wired cable or compare your cable to the [Cabling Specifications](#), Cabling and technology information for pinouts and correct cable wiring.
- **Improper network topologies.** It is important to make sure you have a valid network topology. Common topology faults include excessive cable length and excessive repeater delays between end nodes. If you have network problems after recent changes to the network, change back to the previous topology. If you no longer experience the problems, the new topology is most likely at fault.

In addition, you should make sure that your network topology contains **no data path loops**. Between any two end nodes, there should be only one active cabling path at any time. Data path loops can cause broadcast storms that will severely impact your network performance.

To build redundant paths between important nodes in your network that will provide some fault tolerance, enable **Spanning Tree Protocol** support on the switch. This ensures that only one of the redundant paths is active at any time, thus avoiding data path loops. Spanning Tree can be enabled through the switch console or the web browser interface. For more information on Spanning Tree, see the *Layer 2 Bridging Guide* for your switch.



---

By default, ports do not run selftest at boot. To enable port selftest on boot, save the **no fastboot** configuration to the switch. See AOS-CX software documentation for further detail.

---

## Diagnosing with the LEDs

## LED Patterns for General Switch Troubleshooting

1. Check in the table for the LED pattern you see on your switch.
2. Refer to the corresponding diagnostic tip on the next few pages.

PSU1/PSU2 LEDs	Global Status	Back	Fan tray LED	Port LED	Diagnostic tip
Off with power cords plugged in	-	-	-	-	1
Off. Either the PSU1 or PSU2 LED is off but not both.	Flashing amber	Flashing amber	-	-	2
On or flashing amber. Either the PSU1 or PSU2 LED is on/flashing amber, but not both.	Flashing amber	Flashing amber	-	-	3
Flashing green. Either the PSU1 or PSU2 LED is on/flashing green, but not both.	Flashing amber	Flashing amber	-	-	4
On green	Flashing amber	Flashing amber	Flashing amber	-	5
On green	Flashing amber	-	-	Flashing amber	6
On green	On green	-	-	Off with cable connected	7
On green	On green	-	-	On, but the port is not communicating	8

## Diagnostic Tips

Tip	Problem	Solution
1	Both switch power supplies are not plugged into an active AC power source.	Verify the AC power source works by plugging another device into the outlet. Or try plugging the power supplies into different outlets or try different power cords.  If the problem is still not resolved, both power supplies may be faulty.
2	The PSU with the LED off is not plugged into an active AC power source or has failed.	Verify the power cord is plugged into an active power source and to the power supply. Make sure these connections are snug.  If the PS1/PS2 LED is still not on, verify the AC power source works by plugging another device into the outlet. Or try plugging the switch into a different outlet or try a different power cord.

Tip	Problem	Solution
		<p>If the power source and power cord are OK and this condition persists, the switch power supply may have failed. Call your HPE Aruba Networking authorized network reseller, or use the electronic support services from Aruba to get assistance.</p>
3	<p>The PSU with the LED on or flashing amber has faulted.</p>	<p>Try power cycling the PSU or removing and re-inserting the PSU. See <a href="#">Replacing a Power Supply on page 46</a>.</p> <p>If the condition persists, the switch power supply has failed. Call your HPE Aruba Networking authorized network reseller, or use the electronic support services from HPE Aruba Networking to get assistance.</p>
4	<p>The PSU with the LED flashing green has been disabled by software.</p>	<p>This occurs when the power supply does not match the defined system airflow. The PSU release tab should be a different color than the other supply and the fan trays.</p> <p>Replace power supply with one with the correct airflow. See <a href="#">Replacing a Power Supply on page 46</a>.</p>
5	<p>Fan tray with the flashing amber LED may have failed or uses incorrect airflow direction.</p>	<p>Check the airflow direction and replace with the correct fan tray if needed. Otherwise, try removing the fan tray and re-inserting. See <a href="#">Replacing a Fan Tray</a>.</p> <p>If the condition persists, the fan tray has failed.</p>
6	<p>The network port for which the LED is flashing has experienced a self test, initialization failure or group speed mismatch.</p>	<p>Check the switch Event Log and <b>show interface</b> command output for indication of the fault condition. If a port failed selftest, contact HPE Aruba Networking support. If there is a group speed mismatch, see <a href="#">Interface group operation on page 1</a>.</p> <p>If the port has a transceiver installed, verify the transceiver is a supported HPE Aruba Networking transceiver for SFP28/QSFP+/QSFP28. If using an unsupported SFP/SFP+ transceiver, confirm that unsupported transceiver mode is enabled. For a list of supported transceivers, see the <i>ArubaOS-Switch and ArubaOS-CX Transceiver Guide</i>.</p> <p>The transceivers are also tested when they are “hot-swapped”—installed or changed while the switch is powered on.</p> <p>To verify the transceiver has failed, remove and reinstall the transceiver without powering off the switch. If the port fault indication reoccurs, you will have to replace the transceiver. Check the event log to see why the transceiver failed.</p> <p>To get assistance, call your HPE Aruba Networking authorized network reseller, or use the electronic support</p>

Tip	Problem	Solution
		services from HPE Aruba Networking.
7	The port is not able to establish link.	<p>Try the following procedures:</p> <p>For the indicated port, verify that both ends of the cabling, at the switch and the connected device, are connected properly.</p> <p>Verify the connected device and switch are both powered on and operating correctly.</p> <p>Verify you have used the correct cable type for the connection:</p> <p>For fiber-optic connections, verify the transmit port on the switch is connected to the receive port on the connected device, and the switch receive port is connected to the transmit port on the connected device.</p> <p>The cable verification process must include all patch cables from any end devices, including the switch, to any patch panels in the cabling path.</p> <p>Verify the port has not been disabled through a switch configuration change. You can use the console interface, or, if you have configured an IP address on the switch, use the Web browser interface to determine the state of the port and re-enable the port if necessary.</p> <p>Verify the switch port configuration matches the configuration of the attached device. For example, if the switch port is configured as “Full-duplex”, the port on the attached device also <b>MUST</b> be configured as “Full-duplex”. If the configurations don’t match, the results could be a very unreliable connection, or no link at all.</p> <p>Run an internal selftest on the port. For example, to run a selftest on port 1/1/12:</p> <pre data-bbox="857 1335 1430 1436">diagnostics diagnostics loopback 1/1/12</pre> <p>If the command reports fail, contact Support. There may be a hardware fault.</p> <p>If the other procedures don’t resolve the problem, try using a different port or a different cable.</p>
8	The port gets link but does not forward traffic.	<p>Use the switch console to see if the port is part of a dynamic trunk (through the LACP feature) or to see if Spanning Tree is enabled on the switch, and to see if the port may have been put into a “blocking” state by those features. The <b>show lacp interfaces</b> command displays the port status for the LACP feature; the <b>show spanning-tree</b> command displays</p>



Tip	Problem	Solution
		<p>the port status for Spanning Tree.</p> <p>Also check the Port Status screen using the <b>show interfaces</b> command to see if the port has been configured as “disabled”.</p> <p>Other switch features that may affect the port operation include VLANs, IGMP, and port group speed settings. Use the switch console to see how the port is configured for these features.</p> <p>Also ensure, that the device at the other end of the connection is indicating a good link to the switch. If it is not, the problem may be with the cabling between the devices or the connectors on the cable.</p>

## Hardware Diagnostic Tests

### Testing the switch by resetting it

If you believe the switch is not operating correctly, you can reset the switch to test its circuitry and operating code. To reset a switch, either:

- Unplug and plug in the power cord (power cycling). Wait a minimum of five seconds after unplugging before plugging the power cord back in.
- Reboot the switch through the CLI with the **boot system** command.




---

Power cycling the switch causes the switch to reset. The reset process also causes any network traffic counters and the System Up Time timer to reset to zero.

---

### Checking the Switch LEDs

See [Diagnosing with the LEDs on page 49](#) for information on interpreting the LED patterns.

### Checking Console Messages

Useful diagnostic messages may be displayed on the console screen when the switch is reset. Connect a PC running a VT-100 terminal emulator program to the switch's Console Port and configure it to run at 115200 baud and with the other terminal communication settings shown in [Terminal Configuration on page 44](#). Then, when you reset the switch, note the messages that are displayed. Additionally, you can check the switch event log, which can be accessed from the console using the **show events** command.

### Testing Switch-to-Device Network Communications

You can perform the following communication tests to verify the network is operating correctly between the switch and any connected device that can respond correctly to the communication test.

- **Link Test:** a physical layer test that sends IEEE 802.2 test packets to any device identified by its MAC address.



- **Ping Test:** a network layer test used on IP networks that sends test packets to any device identified by its IP address.

These tests can be performed through the switch console interface from a terminal connected to the switch or through a Telnet connection, or from the switch's web browser interface.

## Testing End-to-End Networking Communications

Both the switch and the cabling can be tested by running an end-to-end communications test—a test that sends known data from one network device to another through the switch. For example, if you have two PCs on the network that have LAN adapters between which you can run a link-level test or Ping test through the switch, you can use this test to verify that the entire communication path between the two PCs is functioning correctly. See your LAN adapter documentation for more information on running a link test or Ping test.

## Battery Statements:



---

This switch uses a lithium battery. Do not attempt to replace the battery.

---



---

A risk of explosion exists if a battery is replaced by an incorrect type. Dispose of used batteries according to the battery disposal regulations for your country or region.

---



---

Il y a danger d'explosion s'il y a un remplacement incorrect de la batterie.

---

Remplacer uniquement avec une batterie du même type ou d'un type équivalent recommandé par le constructeur. Mettre au rebut les batteries usagées conformément aux instructions du fabricant.

---



---

The battery supplied with this product may contain perchlorate material. Special handling may apply in California and certain other states. See <http://www.dtsc.ca.gov/hazardouswaste/perchlorate> website for more information.

---



---

The only indicator of battery failure is the failure of the switch internal clock to keep the correct time across a reboot or power cycle. If a battery failure occurs, contact your authorized HPE Aruba Networking representative for assistance. Batteries are not customer-serviceable and battery failures should be referred only to service personnel authorized by HPE Aruba Networking.

---

For important safety, environmental, and regulatory information, see *Safety and Compliance Information for Server, Storage, Power, Networking, and Rack Products*, available at

---

<http://www.hpe.com/support/Safety-Compliance-EnterpriseProducts>

---

### Physical

Switch	Width	Depth	Height	Weight
Aruba 8360-32Y4C (JL717A) * Aruba 8360-32Y4C PrtToPwr Configuration (JL700A) Aruba 8360-32Y4C PwrToPrt Configuration (JL701A) Aruba 8360-32Y4C v2 FB 3F 2AC Bdl (JL700C) Aruba 8360-32Y4C v2 BF 3F 2AC Bdl (JL701C)	44.25 cm (17.4 in)	40.64 cm (16.0 in)	4.4 cm (1.73 in)	8.19 kg (18.05 lb)
Aruba 8360-16Y2C (JL718A) * Aruba 8360-16Y2C PrtToPwr Configuration (JL702A) Aruba 8360-16Y2C PwrToPrt Configuration (JL703A) Aruba 8360-16Y2C v2 FB 3F 2AC Bdl (JL702C) Aruba 8360-16Y2C v2 BF 3F 2AC Bdl (JL703C)	44.25 cm (17.4 in)	40.64 cm (16.0 in)	4.4 cm (1.73 in)	7.71 kg (17.00 lb)
Aruba 8360-12C (JL721A) Aruba 8360-12C PrtToPwr	44.25 cm (17.4)	40.64 cm (16.0 in)	4.4 cm (1.73 in)	8.01 kg (17.65 lb)

Switch	Width	Depth	Height	Weight
Configuration (JL708A) Aruba 8360-12C PwrToPrt Configuration (JL709A) Aruba 8360-12C v2 FB 3F 2AC Bdl (JL708C) Aruba 8360-12C v2 BF 3F 2AC Bdl (JL709C)				
Aruba 8360-24XF2C (JL722A) Aruba 8360-24XF2C PrtToPwr Configuration (JL701A) Aruba 8360-24XF2C PwrToPrt Configuration (JL711A) Aruba 8360-24X2C FB 3FR 2PS Bdl (JL710A)	44.25 cm (17.4)	40.64 cm (16.0 in)	4.4 cm (1.73 in)	8.07 kg (17.08 lb)
Aruba 8360-48XT4C (JL720A) * Aruba 8360-48XT4C PrtToPwr (JL706A) Aruba 8360-48XT4C PwrToPrt (JL707A)	44.25 cm (17.4)	40.64 cm (16.0 in)	4.4 cm (1.73 in)	8.55 kg (18.85 lb)
Aruba 8360-48Y6C v2 FB 5F 2PS Bdl (JL704C) Aruba 8360-48Y6C v2 BF 5F 2PS Bdl (JL705C) Aruba 8360-48Y6C v2 (JL719C)	44.25 cm (17.4 in)	50.8 cm (20.0 in)	4.4 cm (1.73 in)	23.65 lb (10.73 kg)

\* The following base SKUs have a lower weight since they don't include fans and PSUs:

- JL717A: 13.46 lb (6.11kg)
- JL718A: 12.86 lb (5.84 kg)
- JL719A: 17.44 lb (7.91 kg)

- JL720A: 14.06 lb (6.38 kg)
- JL721A: 12.86 lb (5.84 kg)
- JL722A: 13.01 lb (5.9 kg)
- JL717C: 13.46 lb (6.11 kg)
- JL718C: 12.86 lb (5.84 kg)
- JL719C: 17.44 lb (7.91 kg)
- JL720C: 14.06 lb (6.38 kg)
- JL721C: 12.86 lb (5.84 kg)
- JL722C: 13.01 lb (5.9 kg)

## Electrical

Switch model	Power Supplies	Maximum current	AC Voltage	Frequency range
Aruba 8360-32Y4C Prt2Pwr3F2PS Bdl (JL700A)	Aruba X391 550W Prt2Pwr AC PSU (JL600A)	7.1A for 100- 127VAC 3.4A for 200- 240VAC	100-127/ 200-240	47-63 Hz
Aruba 8360-16Y2C Prt2Pwr3F2PS Bdl (JL702A)				
Aruba 8360-32Y4C v2 FB 3F 2AC Bdl (JL700C)				
Aruba 8360-16Y2C v2 FB 3F 2AC Bdl (JL702C)				
Aruba 8360-48XT4C Prt2Pwr3F2PS Bdl (JL706A)				
Aruba 8360-48XT4C v2 FB 3F 2AC Bdl (JL706C)				
Aruba 8360-12C Prt2Pwr3F2PS Bdl (JL708A)				
Aruba 8360-12C v2 FB 3F 2AC Bdl (JL708C)				
Aruba 8360-24XF2C Prt2Pwr3F2PS Bdl (JL710A)				
Aruba 8360-24XF2C v2 FB 3F 2AC Bdl (JL710C)				
Aruba 8360-32Y4C Pwr2Prt3F2PS Bdl (JL701A)	Aruba X391 550W Pwr2Prt PSU (JL712A)			
Aruba 8360-32Y4C v2 BF 3F 2AC Bdl (JL701C)				

Switch model	Power Supplies	Maximum current	AC Voltage	Frequency range
Aruba 8360-16Y2C Pwr2Prt3F2PS Bdl (JL703A)				
Aruba 8360-16Y2C v2 BF 3F 2AC Bdl (JL703C)				
Aruba 8360-48XT4C Pwr2Prt3F2PS Bdl (JL707A)				
Aruba 8360-48XT4C v2 BF 3F 2AC Bdl (JL707C)				
Aruba 8360-12C Pwr2Prt3F2PS Bdl (JL709A)				
Aruba 8360-12C v2 BF 3F 2AC Bdl (JL709C)				
Aruba 8360-24XF2C Pwr2Prt3F2PS Bdl (JL711A)				
Aruba 8360-24XF2C v2 BF 3F 2AC Bdl (JL711C)				
Aruba 8360-48Y6C v2 FB 5F 2PS Bdl (JL704C)	Aruba X391 850 Prt2Pwr AC PSU (JL601A)	10A for 110-127VAC & 5A for 200- 240VAC		47-63 Hz
Aruba 8360-48Y6C v2 BF 5F 2PS Bdl (JL705C)	Aruba X391 850W Pwr2Prt AC PSU (JL713A)			

Power supplies automatically adjusts to any voltage between 100-127 volts and 200-240 volts.

## Power Cords

HPE Aruba Networking includes the power cord intended for use with your HPE Aruba Networking switch and power supply. Different countries/regions may require different power cords. For a list of the power cords that apply to your switch, see [Included Parts](#).



Only HPE Aruba Networking approved power cords may be used with HPE Aruba Networking devices. To access power cord information for your switch, see [Included Parts](#). Lost or damaged power cords must be replaced only with HPE Aruba Networking approved power cords. If your installation requires a different power cord than the one supplied with the switch and/or power supply, be sure that the cord is adequately sized for the current requirements of the switch. In addition, be sure to use a power cord displaying the mark of the safety agency that defines the regulations for power cords in your country/region. The mark is your assurance that the power cord can be used safely with the switch and power supply.



Do not use a damaged or non-recommended power cord with your switch. Using such power cords voids the switch and power supply warranty. It can also cause serious electrical problems, including injury or death to personnel, and damage to the switch and other property. If you cannot verify that you have a power cord approved for use with your switch model, contact your authorized HPE Aruba Networking dealer or sales representative for assistance.



Remove the power cord from the switch before mounting or dismounting the switch.

## Power Consumption

Switch	Power consumption
Aruba 8360-32Y4C PrtToPwr (JL700A) Aruba 8360-32Y4C PwrToPrt (JL701A) Aruba 8360-32Y4C v2 FB 3F 2AC Bdl (JL700C) Aruba 8360-32Y4C v2 BF 3F 2AC Bdl (JL701C)	Max: 425 W Idle: 120 W
Aruba 8360-16Y2C PrtToPwr (JL702A) Aruba 8360-16Y2C PwrToPrt (JL703A) Aruba 8360-16Y2C v2 FB 3F 2AC Bdl (JL702C) Aruba 8360-16Y2C v2 BF 3F 2AC Bdl (JL703C)	Max: 325 W Idle: 110 W
Aruba 8360-12C PrtToPwr (JL708A) Aruba 8360-12C PwrToPrt (JL709A) Aruba 8360-12C v2 FB 3F 2AC Bdl (JL708C) Aruba 8360-12C v2 BF 3F 2AC Bdl (JL709C)	Max: 375 W Idle: 120 W
Aruba 8360-24XF2C PrtToPwr (JL710A) Aruba 8360-24XF2C PwrToPrt (JL711A) Aruba 8360-24XF2C v2 FB 3F 2AC Bdl (JL710C) Aruba 8360-24XF2C v2 BF 3F 2AC Bdl (JL711C)	Max: 375 W Idle: 120 W
Aruba 8360-48XT4C PrtToPwr (JL706A) Aruba 8360-48XT4C PwrToPrt (JL707A) Aruba 8360-48XT4C v2 FB 3F 2AC Bdl (JL706C) Aruba 8360-48XT4C v2 BF 3F 2AC Bdl (JL707C)	Max: 500 W Idle: 120 W
Aruba 8360-48Y6C v2 FB 5F 2AC Bdl (JL704C) Aruba 8360-48Y6C v2 BF 5F 2AC Bdl (JL705C)	Max: 725 W Idle: 230 W



- Max power measured with maximum traffic, transceivers and fans.
- Idle power measured with no transceivers or cables installed at room temperature.

## Environmental Specifications

	Port to Power airflow (PrtToPwr)	Power to Port airflow (PwrToPrt)
Operating temperature	32°F to 113°F (0°C to 45°C) <sup>1</sup>	32°F to 104°F (0°C to 40°C) <sup>2</sup>
Non-operating temperature	-40°F to 158°F (-40°C to 70°C)	-40°F to 158°F (-40°C to 70°C)
Operating relative humidity	15% to 95% <sup>3</sup>	15% to 95% <sup>4</sup>
Non-operating storage relative humidity	15% to 95% <sup>5</sup>	15% to 95% <sup>6</sup>
Max operating altitude	10000 ft (3km)	10000 ft (3km)
Max non-operating altitude	15000 ft (4.5km)	15000 ft (4.5km)

<sup>1</sup> Up to 5000 ft derate -1°C for every 1000 ft from 5000 ft to 10000 ft

<sup>2</sup> Up to 5000 ft derate -1°C for every 1000 ft from 5000 ft to 10000 ft

<sup>3</sup> At 113°F (45°C), non-condensing

<sup>4</sup> At 104°F (40°C), non-condensing

<sup>5</sup> At 149°F (65°C), non-condensing

<sup>6</sup> At 149°F (65°C), non-condensing

## Acoustics

Switch	Acoustics
Aruba 8360-32Y4C PrtToPwr (JL700A) Aruba 8360-32Y4C v2 FB 3F 2AC Bdl (JL700C)	Sound Pressure (LpAm - Bystander): 45.4 dB Sound Power (LWAd): 6.3 Bel
Aruba 8360-32Y4C PwrToPrt (JL701A) Aruba 8360-32Y4C v2 BF 3F 2AC Bdl (JL701C)	Sound Pressure (LpAm - Bystander): 45.8 dB Sound Power (LWAd): 6.4 Bel
Aruba 8360-16Y2C PrtToPwr (JL702A) Aruba 8360-16Y2C v2 FB 3F 2AC Bdl (JL702C)	Sound Pressure (LpAm - Bystander): 42.8 dB Sound Power (LWAd): 6.0 Bel
Aruba 8360-16Y2C PwrToPrt (JL703A) Aruba 8360-16Y2C v2 BF 3F 2AC Bdl (JL703C)	Sound Pressure (LpAm - Bystander): 49.5 dB Sound Power (LWAd): 6.8 Bel
Aruba 8360-12C PrtToPwr (JL708A) Aruba 8360-12C v2 FB 3F 2AC Bdl (JL708C)	Sound Pressure (LpAm - Bystander): 46.7 dB Sound Power (LWAd): 6.3 Bel

Switch	Acoustics
Aruba 8360-12C PwrToPrt (JL709A) Aruba 8360-12C v2 BF 3F 2AC Bdl (JL709C)	Sound Pressure (LpAm - Bystander): 45.3 dB Sound Power (LWAd): 6.2 Bel
Aruba 8360-24XF2C PrtToPwr (JL710A) Aruba 8360-24XF2C v2 FB 3F 2AC Bdl (JL710C)	Sound Pressure (LpAm - Bystander): 42.6 dB Sound Power (LWAd): 6.0 Bel
Aruba 8360-24XF2C PwrToPrt (JL711A) Aruba 8360-24XF2C v2 BF 3F 2AC Bdl (JL711C)	Sound Pressure (LpAm - Bystander): 44.4 dB Sound Power (LWAd): 6.2 Bel
Aruba 8360-48XT4C PrtToPwr (JL706A) Aruba 8360-48XT4C v2 FB 3F 2AC Bdl (JL706C) Aruba 8360-48XT4C v2 BF 3F 2AC Bdl (JL707C)	Sound Pressure (LpAm - Bystander): 48.7 dB Sound Power (LWAd): 6.7 Bel
Aruba 8360-48XT4C PwrToPrt (JL707A)	Sound Pressure (LpAm - Bystander): 47.6 dB Sound Power (LWAd): 6.5 Bel
Aruba 8360-48Y6C v2 FB 5F 2PS Configuration (JL704C)	Sound Pressure (LpAm - Bystander): 45.4 dB Sound Power (LWAd): 6.3 Bel
Aruba 8360-48Y6C v2 BF 5F 2PS Configuration (JL705C)	Sound Pressure (LpAm - Bystander): 45.8 dB Sound Power (LWAd): 6.4 Bel



Acoustics measured in 23± 2°C hemi-anechoic chamber with a loading of 30% traffic on all ports. Measured in accordance with ISO 7779. Declared in accordance with ISO 9296. Values presented are the declared A-weighted Sound Power Level (LWAd) and mean bystander A-weighted Sound Pressure Level (LpAm).

## RoHS

EN 50581:2012

## Safety and Regulatory Information



For important safety, environmental, and regulatory information, see *Safety and Compliance Information for Server, Storage, Power, Networking, and Rack Products*, available at <http://www.hpe.com/support/Safety-Compliance-EnterpriseProducts>.

<b>Safety-EU</b>	EN 60950-1:2006 +A11:2009 +A1:2010 +A12:2011+A2:2013; EN62368-1, Ed.2:2014
<b>Safety-Worldwide</b>	IEC 60950-1:2005+A1:2009+A2:2013; IEC 62368-1:2014
<b>North American</b>	UL/CUL 60950-1: 2nd Edition UL60950-1, CSA 22.2 No 60950-1



	UL/CL 62368-1:2nd Edition CSA C22.2 NO. 62368-1-14, 2nd Edition
<b>EMC</b>	EN 55024:2010+A2016/CISPR24:2015 EN 55032:2015/CISPR32 Class A EN55035:2017/CISPR35 EN 61000-3-2:2014, Class A EN 61000-3-3:2013 FCC CFR 47 Part 15:2010 Class A ICES-003 Class A VCCI Class A CNS 13438 Class A
<b>RoHS</b>	EN 50581:2012



- When selecting a fiber SFP or QSFP device, make sure the device has the same (or better) operating temperature range as the switch.
- Use only an approved Laser Class 1 SFP transceiver.
- The maximum number of DAC cables supported in JL700C, JL701C, and JL717C ports 1-4 is two.

<b>Japan Power Cord Warning</b>	製品には、同梱された電源コードをお使い下さい。 同梱された電源コードは、他の製品では使用出来ません。
---------------------------------	-------------------------------------------------------

## Connectivity Standards



These connectivity standards are general and may not apply to your 8360 series switch.

Technology	Compatible with these IEEE standards	EN/IEC standard compliance	Lasers
100-TX1000-T10GBASE-T	IEEE 802.3u 100BASE-TX IEEE 802.3ab 1000BASE-T IEEE 802.3an 10GBASE-T		
1000-SX	IEEE 802.3z 1000BASE-SX	EN/IEC 60825	Class 1 Laser Product Laser Klasse 1
1000-LX	IEEE 802.3z 1000BASE-LX	EN/IEC 60825	Class 1 Laser Product Laser Klasse 1
1000-LH	(not an IEEE standard)	EN/IEC 60825	Class 1 Laser Product

Technology	Compatible with these IEEE standards	EN/IEC standard compliance	Lasers
			Laser Klasse 1
10-Gig Direct Attach	(not an IEEE standard)		
10-Gig SR	IEEE 802.3ae 10GBASE-SR	EN/IEC 60825	Class 1 Laser Product Laser Klasse 1
10-Gig LR	IEEE 802.3ae 10GBASE-LR	EN/IEC 60825	Class 1 Laser Product Laser Klasse 1
10-Gig ER	IEEE 802.3ae 10GBASE-ER	EN/IEC 60825	Class 1 Laser Product Laser Klasse 1
40G ER4	IEEE 802.3bm-2015 40GBASE-ER4	EN/IEC 60825	Class 1 Laser Product Laser Klasse 1
40Gig Bidi	(not an IEEE standard)	EN/IEC 60825	Class 1 Laser Product Laser Klasse 1
40-Gig SR4	IEEE 802.3ba 40GBASE-SR4	EN/IEC 60825	Class 1 Laser Product Laser Klasse 1
40-Gig eSR4	IEEE 802.3ba 40GBASE-SR4	En/IC 60825	Class 1 Laser Product Laser Klasse 1
40-Gig LR4	IEEE 802.3ae 40GBASE-LR4	EN/IC 60825	Class 1 Laser Product Laser Klasse 1
100-Gig SR4	IEEE 802.3bm 100GBASE-SR4	EN/IEC 60825	Class 1 Laser Product Laser Klasse 1
100-Gig LR4	IEEE 802.3ba 100GBASE-LR4	EN/IEC 60825	Class 1 Laser Product Laser Klasse 1
100-Gig DAC	IEEE 802.3bj 100GBASE-CR4		
40-Gig DAC	IEEE 802.3ba 40GBASE-CR4		
25-Gig SR	IEEE 802.3by 25GBASE-SR	EN/IEC 60825	Class 1 Laser Product Laser Klasse 1
25-Gig eSR	(not an IEEE standard)	EN/IEC 60825	Class 1 Laser Product Laser Klasse 1
25-Gig LR	IEEE 802.3cc 25GBASE-LR	EN/IEC 60825	Class 1 Laser Product

Technology	Compatible with these IEEE standards	EN/IEC standard compliance	Lasers
			Laser Klasse 1
25-Gig DAC	IEEE 802.3by 25GBASE-CR		
25-Gig DAC 0.65M	IEEE.802.3by 25GBASE-CR-N		
25-Gig DAC 3M	IEEE.802.3by 25GBASE-CR-S		
25-Gig DAC 5M	IEEE.802.3by 25GBASE-CR-L		
25-Gig AOC	(not an IEEE standard)		
50-Gig Ethernet	IEEE 802.3cd-2018		

# Chapter 7

## Cabling and Technology Information

This chapter includes switch connector information and network cable information for cables that should be used with HPE Aruba Networking 8360 switches.



Incorrectly wired cabling is a common cause of problems for LAN communications. HPE Aruba Networking recommends that you work with a qualified LAN cable installer for assistance with your cabling requirements.

### Cabling Specifications

<b>Twisted-pair copper</b>	10 Mbps Operation	Category 3, 4 or 5, 100-ohm unshielded twisted-pair (UTP) or shielded twisted-pair (STP) cable, complying with IEEE 802.3 10BASE-T specifications. Used for OOBM port.
	100 Mbps Operation	Category 5, 100-ohm UTP, or STP cable, complying with IEEE 802.3u 100BASE-TX specifications. Used for OOBM port. Used for user ports on 48XT4C.
	1000 Mbps Operation	Category 5, 100-ohm 4-pair UTP or STP cable, complying with IEEE 802.3ab 1000BASE-T specifications—Category 5e or better is recommended.
	10 Gbps Operation	Category 6 or 6A, 100-ohm 4-pair UTP cable, or Category 6A or 7, 100-ohm 4-pair STP cable, complying with IEEE 802.3an 10GBASE-T specifications. CAT6A F/FTP, S/FTP, SF/FTP highly recommended in noisy environments. Refer to Aruba Support_Advisory_JL563A_10GBaseT_APSC-RS20180403- 01 for more information.
<b>Twinaxial copper</b>	Direct attach cables	One-piece devices consisting of a cable with SFP+ or SFP28 connectors permanently attached to each end, complying with SFF 8431 SFP+ specifications.
<b>Multimode fiber</b>	-	62.5/125 µm or 50/125 µm (core/cladding) diameter, low metal content, graded index fiber-optic cables, complying with the ITU-T G.651 and ISO/IEC 793-2 Type A1b or A1a standards respectively. <sup>1</sup>
<b>Single mode fiber</b>	-	9/125 µm (core/cladding) diameter, low metal content fiber-optic cables, complying with the ITU-T G.652 and ISO/IEC 793-2 Type B1 standards.

---

### 1000BASE-T cable requirements

---

The Category 5 networking cables that work for 100BASE-TX connections should also work for 1000BASE-T, as long as all four-pairs are connected. But, for the most robust connections, you should use cabling that complies with the Category 5e specifications, as described in Addendum 5 to the TIA-568-A standard (ANSI/TIA/EIA-568-A-5).



Because of the increased speed provided by 1000BASE-T (Gigabit-T), network cable quality is more important than for either 10BASE-T or 100BASE-TX. Cabling plants being used to carry 1000BASE-T networking must comply with the IEEE 802.3ab standards. In particular, the cabling must pass tests for Attenuation, Near-End Crosstalk (NEXT), and Far-End Crosstalk (FEXT). Additionally, unlike the cables for 100BASE-TX, the 1000BASE-T cables must pass tests for Equal-Level Far-End Crosstalk (ELFEXT) and Return Loss.

When testing your cabling, be sure to include the patch cables that connect the switch and other end devices to the patch panels on your site. The patch cables are frequently overlooked when testing cable and they must also comply with the cabling standards.

---

---

### 10GBASE-T cable requirements

---



The Category 6 networking cables that work for 1000BASE-T connections may work for 10GBASE-T, as long as the distance is less than 55m and the cable installation has been tested for compliance to IEEE requirements. But, for the most robust connections, you should use cabling that complies with the Category 6A or Category 7 specifications, as described in the TIA-568-C (ANSI/TIA-568-C.2) and ISO/IEC 11801 standards. 10GBASE-T is a sophisticated technology that relies upon high quality cable installations. It is sensitive to Alien Near End Crosstalk (ANEXT) which can arrive upon the cable due to cables placed in close proximity to the data cables. It is recommended that cable dressing be done carefully and in compliance with recommendations in the TIA TSB-155A.

---

Like 1000BASE-T, 10GBASE-T requires testing of all the crosstalk and return loss parameters described above, and also ANEXT.

In addition to ANEXT, 10GBASE-T is more sensitive to external electrical noise in the environment. It is recommended that radio transmitters and other sources of high frequency continuous wave radio frequency be kept away from LAN cables.

When testing your cabling, be sure to include the patch cables that connect the switch and other end devices to the patch panels on your site. The patch cables are frequently overlooked when testing cable and they must also comply with the cabling standards. For 10GBASE-T, Category 6 patch cables are sensitive to movement once link has been established, and could cause link to drop if moved.

Therefore, HPE Aruba Networking recommends using Category 6A patch cables, or using cable management options to tie down (dress) the Category 6 patch cables so they cannot move.

For Conducted and Radiated Immunity in accordance with EN55024, the HPE Aruba Networking switch is limited to Performance Criteria A with shielded cables (CAT6A).

## Technology Distance Specifications

Technology	Supported cable type	Multimode fibermodal bandwidth	Supported distances
1000BASE-T	Twisted-pair copper	N/A	up to 100 meters

Technology	Supported cable type	Multimode fibermodal bandwidth	Supported distances
1000BASE-SX	Multimode fiber	160 MHz*km 200 MHz*km 400 MHz*km 500 MHz*km	2 - 220 meters 2 - 275 meters 2 - 500 meters 2 - 550 meters
1000BASE-LX	Single mode fiber	N/A	2 - 10,000 meters
1000BASE-LH	Single mode fiber	N/A	2 - 70,000 meters
10GBASE-T	Twisted-pair copper	N/A	Cat 6A unshielded - up to 100 meters Cat 6A shielded - up to 100 meters Cat 7 shielded - up to 100 meters
10GBASE-CR (Direct Attach)	twinaxial copper	N/A	(various lengths offered)
10GBASE-SR	multimode fiber	160 MHz*km 200 MHz*km 400 MHz*km 500 MHz*km 2000 MHz*km	2 - 26 meters 2 - 33 meters 2 - 66 meters 2 - 82 meters 2 - 300 meters
10GBASE-LR	single mode fiber	N/A	2 - 10,000 meters
10GBASE-ER	single mode fiber	N/A	2 - 40,000 meters
25GBASE-CR	twinaxial copper	N/A	(various lengths offered)
25GBASE-SR	multimode fiber	1500 MHz*km 3500 MHz*km	2 - 70 meters 2 - 100 meters
25GBASE-eSR	multimode fiber	1500 MHz*km 3500 MHz*km	2 - 200 meters 2 - 400 meters
25GBASE-LR	single mode fiber	N/A	2 - 10,000 meters
40GBASE-CR4	twinaxial copper	N/A	(various lengths offered)
40GBASE-SR4	multimode fiber	1500 MHz*km 3500 MHz*km	2 - 100 meters 2 - 150 meters
40GBASE-eSR4	multimode fiber	1500 MHz*km 3500 MHz*km	2 - 330 meters 2 - 550 meters

Technology	Supported cable type	Multimode fibermodal bandwidth	Supported distances
40GBASE-LR4	single mode fiber	N/A	2 - 10,000 meters
40GBASE-ER4	single mode fiber	N/A	2 - 40,000 meters
40GBASE-BiDi	multimode fiber	1500 MHz*km 3500 MHz*km	2 - 100 meters 2 - 150 meters
100GBASE-CR4	twinaxial copper	N/A	(various lengths offered)
100GBASE-SR4	multimode fiber	1500 MHz*km 3500 MHz*km	2 - 100 meters 2 - 150 meters
100GBASE-LR4	single mode fiber	N/A	2 - 10,000 meters

### Accessing HPE Networking Support

HPE Networking Support Services	<a href="https://www.arubanetworks.com/support-services/">https://www.arubanetworks.com/support-services/</a>
HPE Networking Support Portal	<a href="https://networkingsupport.hpe.com/home">https://networkingsupport.hpe.com/home</a>
North America telephone	1-800-943-4526 (US & Canada Toll-Free Number) +1-408-754-1200 (Primary - Toll Number) +1-650-385-6582 (Backup - Toll Number - Use only when all other numbers are not working)
International telephone	<a href="https://www.arubanetworks.com/support-services/contact-support/">https://www.arubanetworks.com/support-services/contact-support/</a>

Be sure to collect the following information before contacting Support:

- Technical support registration number (if applicable)
- Product name, model or version, and serial number
- Operating system name and version
- Firmware version
- Error messages
- Product-specific reports and logs
- Add-on products or components
- Third-party products or components

Other websites that can be used to find information:

Airheads social forums and Knowledge Base	<a href="https://community.arubanetworks.com/">https://community.arubanetworks.com/</a>
Software licensing	<a href="https://lms.arubanetworks.com/">https://lms.arubanetworks.com/</a>
End-of-Life information	<a href="https://www.arubanetworks.com/support-services/end-of-life/">https://www.arubanetworks.com/support-services/end-of-life/</a>
HPE Aruba Networking software and documentation	<a href="https://asp.arubanetworks.com/downloads">https://asp.arubanetworks.com/downloads</a>

### Accessing Updates

To download product updates:



## HPE Networking Support Portal

<https://networkingsupport.hpe.com/home>

If you are unable to find your product in the HPE Networking Support Portal, you may need to search My Networking, where older networking products can be found:

## My Networking

<https://www.hpe.com/networking/support>

To view and update your entitlements, and to link your contracts and warranties with your profile, go to the Hewlett Packard Enterprise Support Center More Information on Access to Support Materials page:

<https://support.hpe.com/portal/site/hpsc/aae/home/>



---

Access to some updates might require product entitlement when accessed through the Hewlett Packard Enterprise Support Center. You must have an HP Passport set up with relevant entitlements.

---

Some software products provide a mechanism for accessing software updates through the product interface. Review your product documentation to identify the recommended software update method.

To subscribe to eNewsletters and alerts:

<https://networkingsupport.hpe.com/home> (requires an active HPE Networking Support Portal account to manage subscriptions). Security notices are viewable without an ASP account.

## Warranty Information

To view warranty information for your product, go to <https://www.arubanetworks.com/support-services/product-warranties/>.

## Regulatory Information

To view the regulatory information for your product, view the *Safety and Compliance Information for Server, Storage, Power, Networking, and Rack Products*, available at <https://www.hpe.com/support/Safety-Compliance-EnterpriseProducts>

HPE Aruba Networking is committed to providing our customers with information about the chemical substances in our products as needed to comply with legal requirements, environmental data (company programs, product recycling, energy efficiency), and safety information and compliance data, (RoHS and WEEE). For more information, see <https://www.arubanetworks.com/company/about-us/environmental-citizenship/>.

## Documentation Feedback

HPE Aruba Networking is committed to providing documentation that meets your needs. To help us improve the documentation, send any errors, suggestions, or comments to Documentation Feedback ([docsfeedback-switching@hpe.com](mailto:docsfeedback-switching@hpe.com)). When submitting your feedback, include the document title, part number, edition, and publication date located on the front cover of the document. For online help content, include the product name, product version, help edition, and publication date located on the legal notices page.