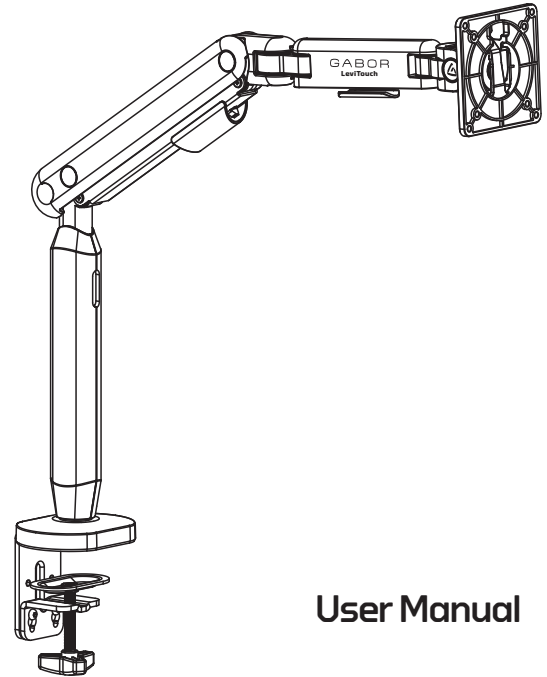




**DMF-100 / LEVITOUCH
MULTI-FLEX SINGLE ARM
DESKTOP
MONITOR MOUNT**

for 17-35 in. Desktop Computer Monitors



User Manual

Thank you for choosing Gabor.

The Gabor Multi-Flex desktop monitor mount is a versatile mount that's designed to hold 17-35 in. flat or curved monitors and delivers 12-point adjustment for the perfect viewing angles. Clamp the mount onto a desk or tabletop and preserve desk space while you're gaming, editing video, or watching a movie. This single articulating arm has adjustable gas-spring tension, ensuring stability when changing the monitor's height, tilt, and orientation.

Safety Warnings

- Please read and follow the instructions, and keep this manual in a safe place.
- When installing this product, be sure to refer to the mounting instructions detailed in this manual; failure to follow the mounting instructions may void the product warranty.
- Do not use this product for uses other than what it is intended for; the exact specifications, size parameters, and weight limits are found both on the product box and in the instruction manual.
- Gabor takes no responsibility for any product damage or personal injury resulting from mishandling, incorrect mounting, faulty assembly, or improper use of this product.
- This product may contain small parts which can pose a choking hazard; keep out of reach of children and pets.
- Clean this product with only a soft, dry cloth.
- Mounting surfaces should be sturdy and flat. Do not install this product on a weak, uneven surface.
- Do not mount the device on structures that may be affected by vibrations or noticeable impacts; do not install near a heater, fireplace, or any other source of direct heat energy.
- Make sure this product is intact and there are no missing parts.
- If you have safety concerns about installing this product, contact a qualified professional or installation contractor.
- If this product is missing hardware or there are defective parts, visit www.madebygabor.com or call Customer Service at 212-594-2353.
- All images are for illustrative purposes only.

Product Specifications

Monitor Display Size

17 to 35 in. (43.2 to 88.9 cm)

Maximum Load

6.6 to 24.2 lb. (3 to 11 kg)

Maximum Desktop Thickness

Clamp: 3.1 in. (80 mm)

Grommet: 1.4 in. (35 mm)

Maximum Reach

24.65 in. (62.6 cm)

VESA Standards

75x75

100x100

Monitor Tilt

$\pm 60^\circ$

Monitor Arm Pivot

$\pm 90^\circ$

Base Arm Swivel

360°

Arm Height Adjustment

9.8 to 18.5 in. (25 to 47 cm)

Weight (without monitor)

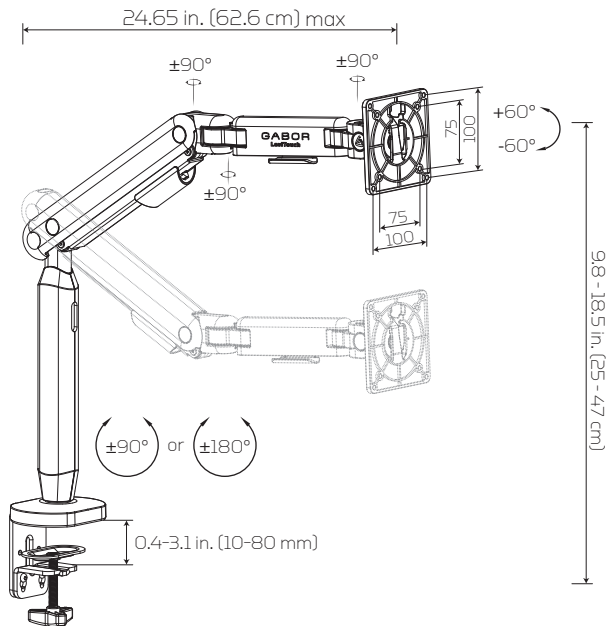
7.3 lb. (3.3 kg)

Package Dimensions (H x W x D):

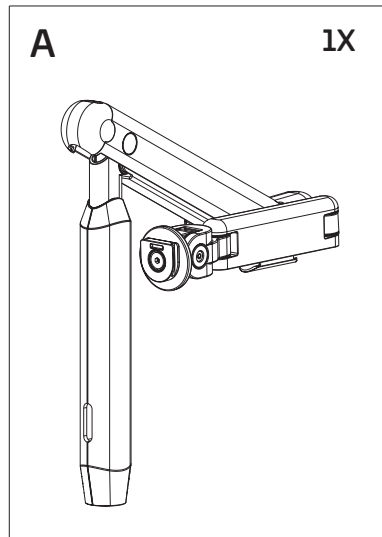
16.77 x 14.57 x 3.15 in. (42.6 x 37 x 8 cm)

Package Weight:

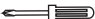
9.5 lb. (4.3 kg)



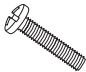
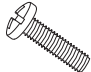

Overview


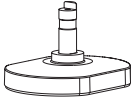
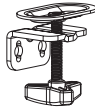
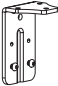


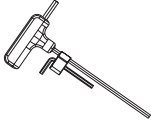


Required Tools

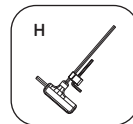
Phillips screwdriver 

MONITOR MOUNTING PARTS

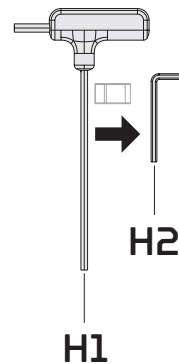
 M-A (x4) M4 x 16	 M-B (x4) M5 x 16	 M-C (x4) D5
--	---	--

<p>B 1X</p> 	<p>C 1X</p> 	<p>D 1X</p> 	<p>E 1X</p> 
<p>F 2X</p> 	<p>G 1X</p> 	<p>H 1X</p> 	

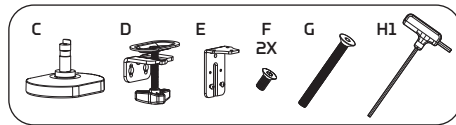
Before You Begin



Separate the two hex wrenches.

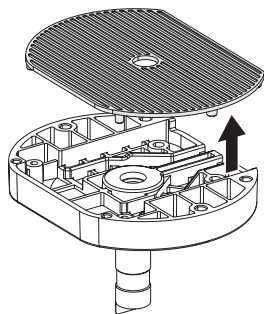


Clamp Installation



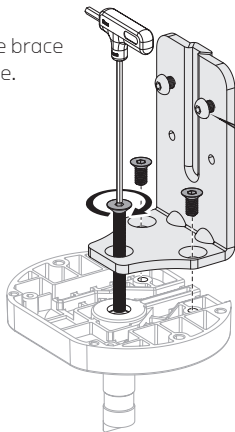
Step 1

Remove the rubber padding from the base.



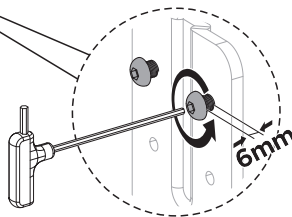
Step 2

Attach the brace to the base.



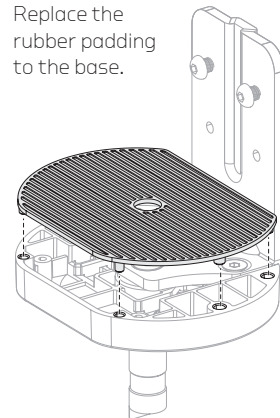
Step 3

Loosen the two attached screws on the brace about 0.24 in. (6 mm).



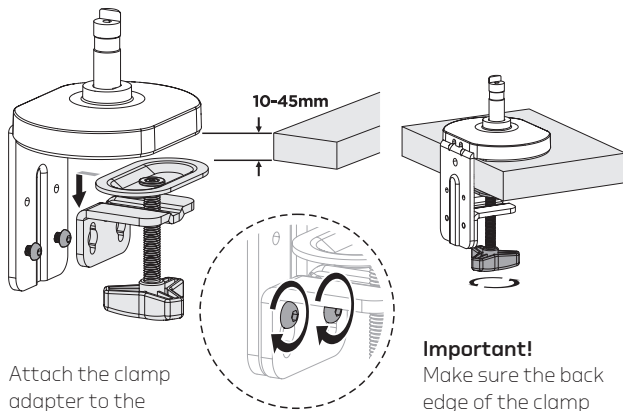
Step 4

Replace the rubber padding to the base.



Clamp Installation (Cont.)

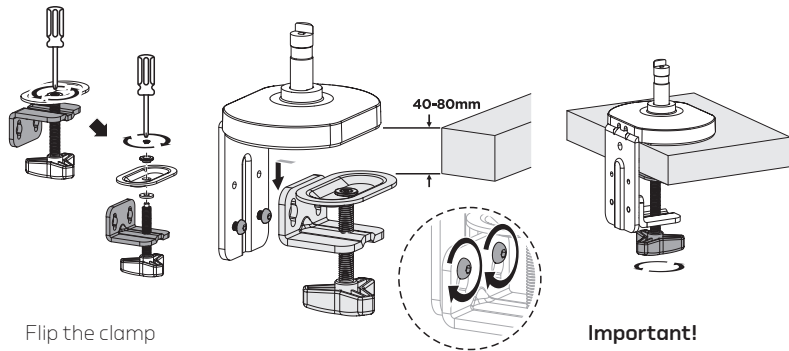
To secure the clamp to surfaces 0.4 to 1.8 in. (10 to 45 mm) thick.



Attach the clamp adapter to the brace, and tighten the screws.

Important!
Make sure the back edge of the clamp is flush against the mounting surface.

To accommodate thicker surfaces measuring 1.6 to 3.1 in. (40 to 80 mm), follow these steps:



Flip the clamp adapter by removing the clamp plate as shown above.

Attach the clamp adapter to the brace, and tighten the screws.

Important!
Make sure the back edge of the clamp is flush against the mounting surface.



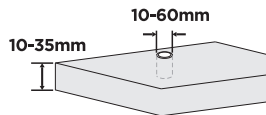
Grommet Installation

Step 1

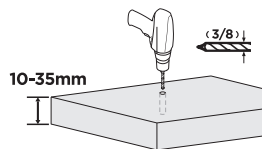
Attach the grommet to a surface up to 1.4 in. (35 mm) thick.

Important! Predrilled holes should be between 0.4 and 2.4 in. (10 and 60 mm).

With Existing Through-Hole

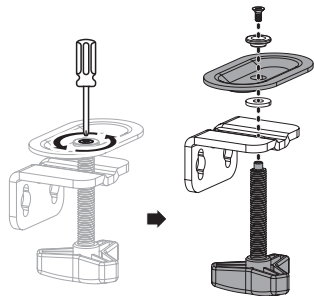


OR



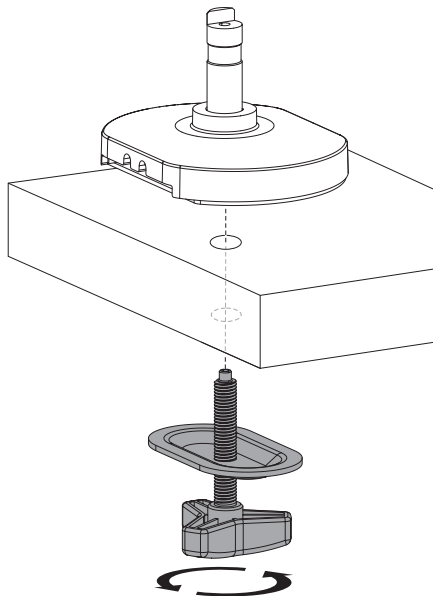
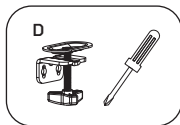
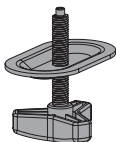
Step 2

Remove the clamp plate and unthread the clamp knob from the adapter.



Step 3

Thread the clamp knob through the clamp plate.



Step 4

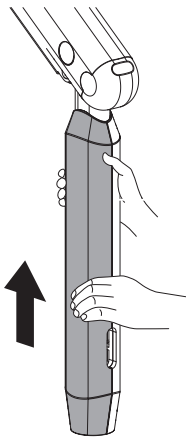
Thread the clamp knob and plate through the surface's existing through hole or the drilled hole, and secure it to the base.

Arm Installation

The arm rotates $\pm 90^\circ$ (default) or $\pm 180^\circ$. To set the rotation to $\pm 180^\circ$, follow these steps:

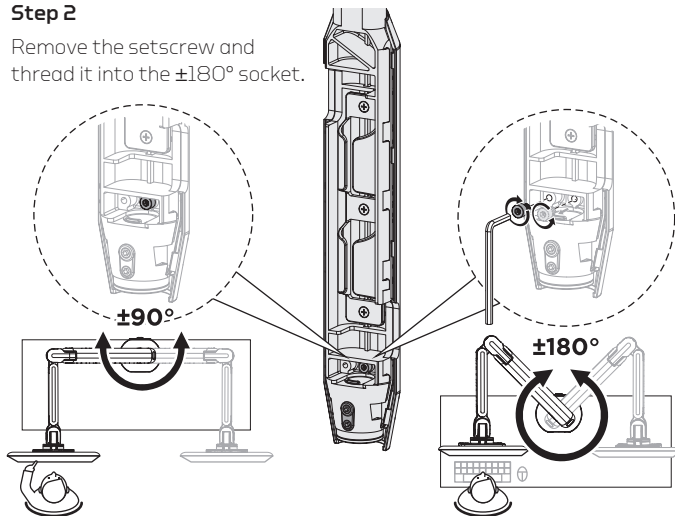
Step 1

Remove the arm cover.



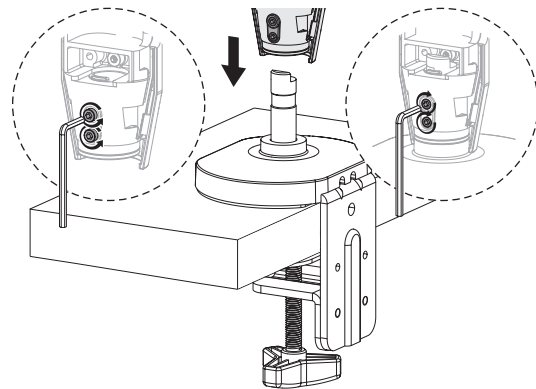
Step 2

Remove the setscrew and thread it into the $\pm 180^\circ$ socket.



Step 3

Seat the arm onto the base post, and tighten the two setscrews.

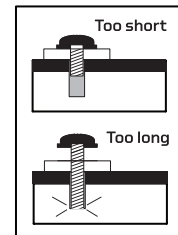
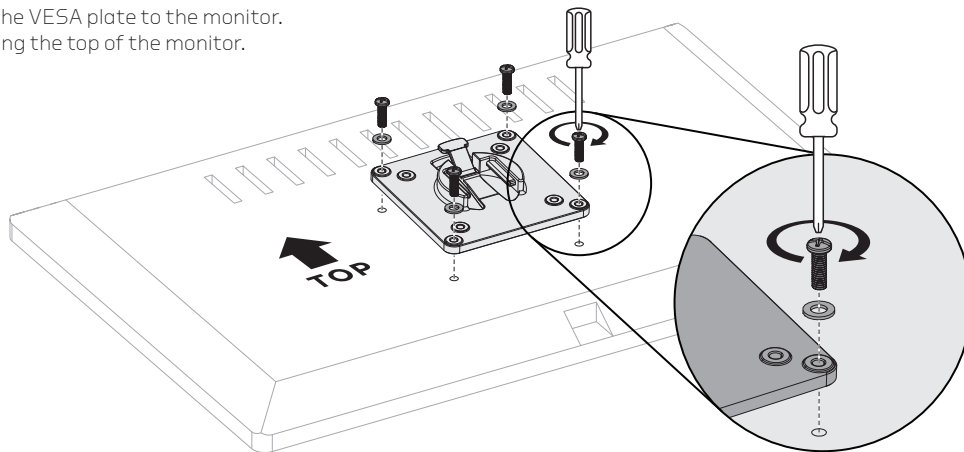
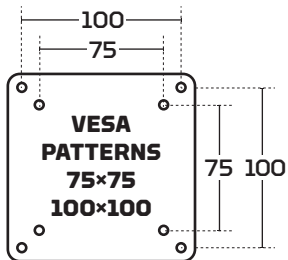
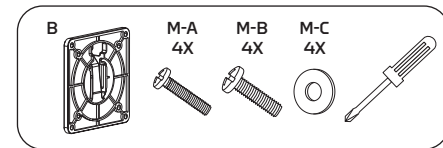


Attaching the VESA Plate to a Monitor

Selecting the Right VESA Mounting Hardware for Your Display

Two sizes of screws are included for different VESA standards on the backs of most displays. Hand-thread the screws to determine the correct diameter.

Use the appropriate screws to attach the VESA plate to the monitor. Make sure the plate's release tab is facing the top of the monitor.

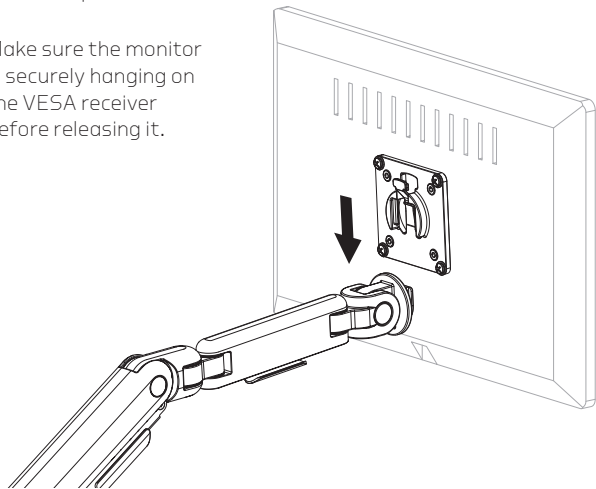


Attaching the Monitor

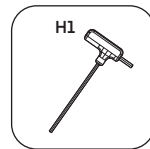


Tighten the tilt screw.
Then hang the monitor
on the VESA receiver so
it clicks in place.

Make sure the monitor
is securely hanging on
the VESA receiver
before releasing it.



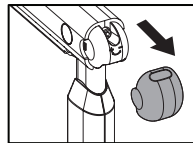
Balancing the Arm



When the arm is adjusted to the ideal tension, it will
hold the monitor in position indefinitely.

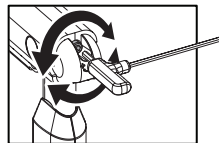
Step 1

Remove the end
cap.



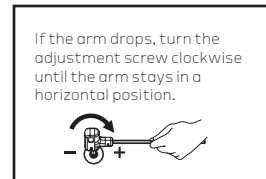
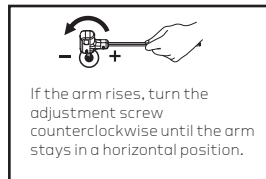
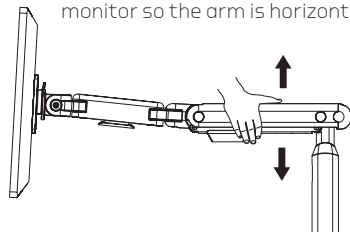
Step 3

Adjust the
tension screw
and replace the
end cap.



Step 2

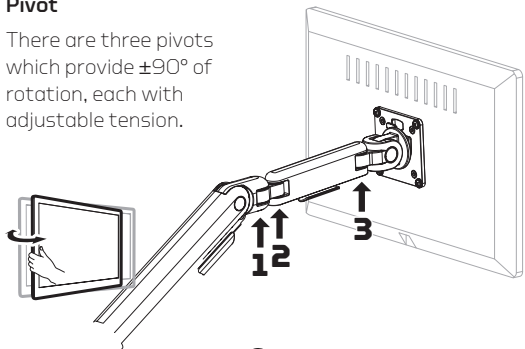
Support the monitor with one
hand, and position the arm and
monitor so the arm is horizontal.



Adjusting the Monitor Orientation

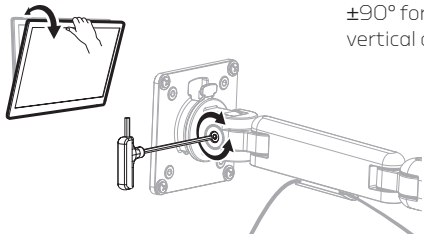
Pivot

There are three pivots which provide $\pm 90^\circ$ of rotation, each with adjustable tension.



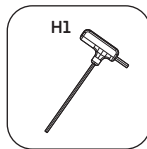
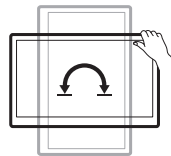
Tilt

The monitor can tilt $\pm 60^\circ$ and offers adjustable tension.



Rotation

The monitor can rotate $\pm 90^\circ$ for horizontal and vertical orientation.



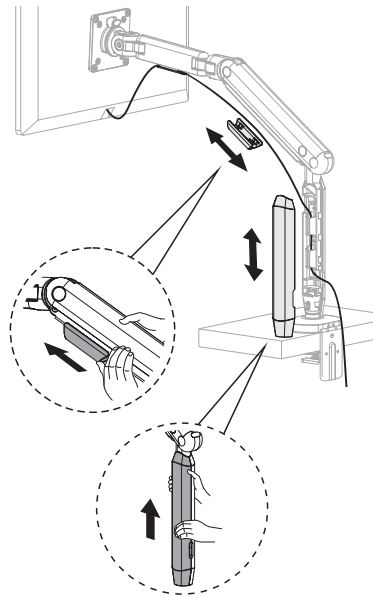
Cable Organization

Run the monitor cables through the front, middle, and lower cable guides for a clean and uncluttered desk.

Gently pull open the front cable guide, and slide in the cables.

Use your thumb to push and slide open the middle cable guide.

Remove the base arm protective cap, and run the cables through the cable guides. Replace the protective cap.



One-Year Limited Warranty

This Gabor product is warranted to the original purchaser to be free from defects in materials and workmanship under normal consumer use for a period of one (1) year from the original purchase date or thirty (30) days after replacement, whichever occurs later. The warranty provider's responsibility with respect to this limited warranty shall be limited solely to repair or replacement, at the provider's discretion, of any product that fails during normal use of this product in its intended manner and in its intended environment. Inoperability of the product or part(s) shall be determined by the warranty provider. If the product has been discontinued, the warranty provider reserves the right to replace it with a model of equivalent quality and function.

This warranty does not cover damage or defect caused by misuse, neglect, accident, alteration, abuse, improper installation or maintenance. EXCEPT AS PROVIDED HEREIN, THE WARRANTY PROVIDER MAKES NEITHER ANY EXPRESS WARRANTIES NOR ANY IMPLIED WARRANTIES, INCLUDING BUT NOT LIMITED TO ANY IMPLIED WARRANTY OF MERCHANTABILITY OR FITNESS FOR A PARTICULAR PURPOSE. This warranty provides you with specific legal rights, and you may also have additional rights that vary from state to state.

To obtain warranty coverage, contact the Gabor Customer Service Department to obtain a return merchandise authorization ("RMA") number, and return the defective product to Gabor along with the RMA number and proof of purchase. Shipment of the defective product is at the purchaser's own risk and expense.

For more information or to arrange service, visit www.madebygabor.com or call Customer Service at 212-594-2353.

Product warranty provided by the Gradus Group.

www.gradusgroup.com

Gabor is a registered trademark of the Gradus Group. © 2024 Gradus Group LLC. All Rights Reserved.

