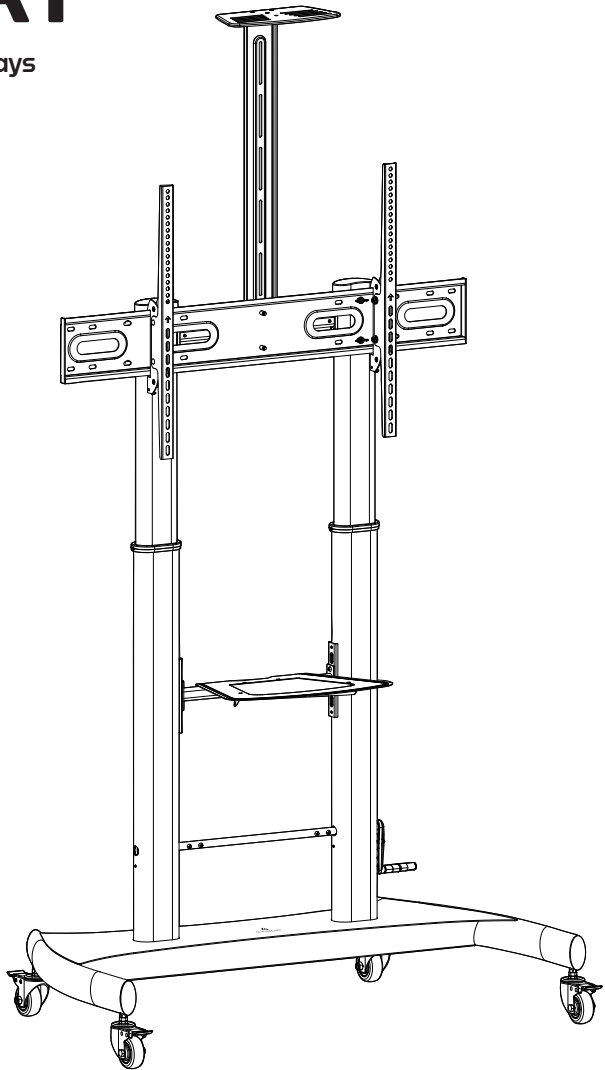




GABOR®

FPC-100 / FLAT PANEL TV CART

for 60-100 in. Displays



User Manual

Thank you for choosing Gabor.

The Gabor FPC-100 Flat-Panel TV Cart is a heavy-duty rolling A/V station that accommodates displays up to 100 inches. Wheel your monitor, laptop, and webcam from room to room, whether it's at an office, trade show, or school. Raise and lower the display with the manual drive telescoping system, and lock the position for the ideal viewing angle.

Product Specifications

Compatible flat-panel display size:
60 to 100 in.
(152.4 to 254 cm)

Max height:
64.5 in. (163.8 cm)

Min height:
49 in. (124.5 cm)

Max weight capacity:
220 lb. (99.8 kg)

Weight:
90.2 lb. (40.9 kg)

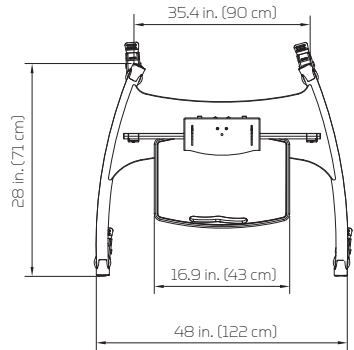
VESA mounting pattern:
400 × 400 to 1000 × 600 mm

Material:
Steel

A/V shelf size:
16.9 × 13.2 in. (43 × 33.5 cm)

Max A/V shelf load:
11 lb. (5 kg)

Caster size:
3 in. (7.6 cm)



Safety Warnings

- When installing this product, be sure to refer to the mounting instructions detailed in this manual; failure to follow the mounting instructions may void the product warranty.
- It is strongly recommended that this product be installed by a qualified professional or installation contractor; Gabor takes no responsibility for any product damage or personal injury resulting from mishandling, incorrect mounting, faulty assembly, or improper use of this product.
- Excessive exposure to liquids may damage the finish of this product; when cleaning this product, use only a mild detergent solution and quickly wipe dry with a soft cloth.
- Do not use this product for any flat-panel screen device other than what it is intended for; the exact specifications, size parameters, and weight limits are found both on the product box and in the instruction manual.
- It is recommended that at least two people perform the installation process to prevent injury from mishandling or dropping the product or flat-panel display; proper safety gear and tools must be used at all times when installing this product.
- Do not assemble or use the cart on structures that may be affected by vibrations or noticeable impacts; do not assemble or use near a heater, fireplace, or any other source of direct heat energy.
- This product may contain small parts which can pose a choking hazard; keep out of reach of children and pets.
- All images are for illustrative purposes only.
- If you have safety concerns about installing this product, contact a qualified professional or installation contractor.
- If this product is missing hardware or there are defective parts, visit www.madebygabor.com or call Customer Service at 212-594-2353.

Parts List

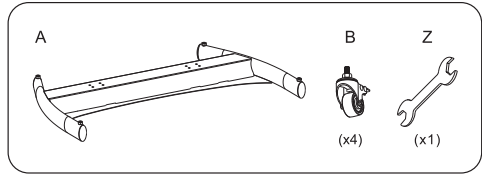
Required tool:
Phillips screwdriver



<p>A base (x1)</p>		<p>B wheel caster (x4)</p>	<p>C universal plate (x1)</p>		
<p>D top cover (x2)</p>	<p>E handle (x1)</p>	<p>F DVD shelf (x1)</p>	<p>G driving rod (x1)</p>		
<p>H left column (x1)</p>		<p>I right column (x1)</p>			
<p>J left adapter bracket (x1)</p>	<p>K right adapter bracket (x1)</p>	<p>L support bar (x1)</p>			
<p>M crossbar (x1)</p>		<p>N camera shelf (x1)</p>			
<p>O butterfly nut (x2)</p>	<p>P butterfly nut (x4)</p>	<p>Q M5x25 (x1)</p>	<p>R M8x30 (x8)</p>	<p>S M6x25 (x4)</p>	<p>T M6x14 (x6)</p>
<p>U M6x8 (x4)</p>	<p>V M8x65 (x4)</p>	<p>W D8 washer (x4)</p>	<p>X D6 washer (x2)</p>	<p>Y Hex key (x1)</p>	<p>Z wrench (x1)</p>

Package M	<p>M-A M5x14 (x4)</p>	<p>M-B M6x14 (x4)</p>	<p>M-C M6x30 (x4)</p>	<p>M-D M8x30 (x4)</p>
	<p>M-E M8x50 (x4)</p>	<p>M-F washer (x4)</p>	<p>M-G small spacer (x8)</p>	<p>M-H big spacer (x8)</p>

Installing the Casters

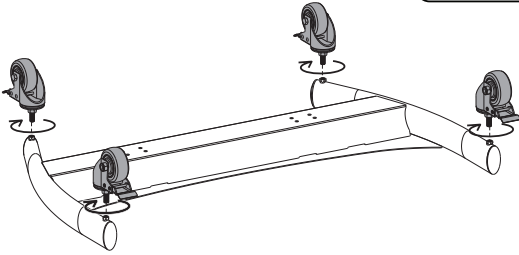


Step 1

Lock the four casters, and screw them into the base.

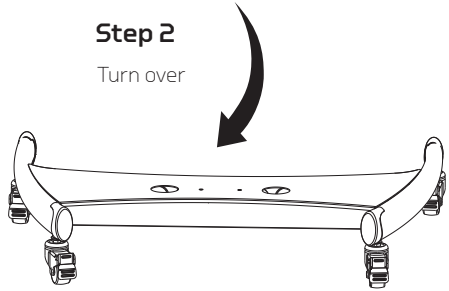


Leave the casters locked during installation and assembly.



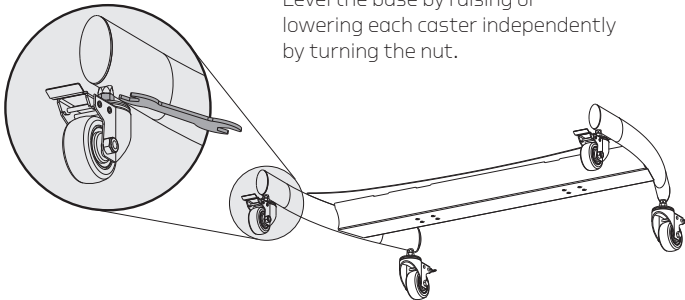
Step 2

Turn over

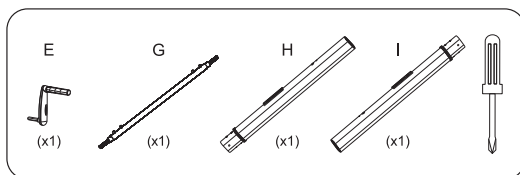


Step 3

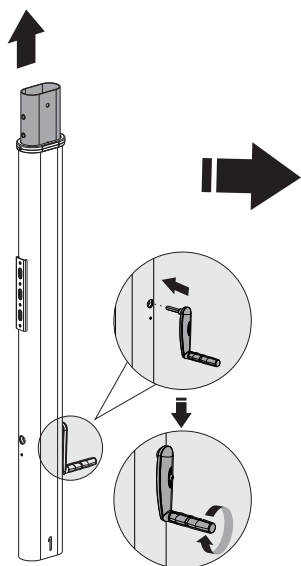
Level the base by raising or lowering each caster independently by turning the nut.



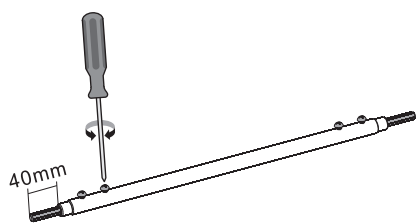
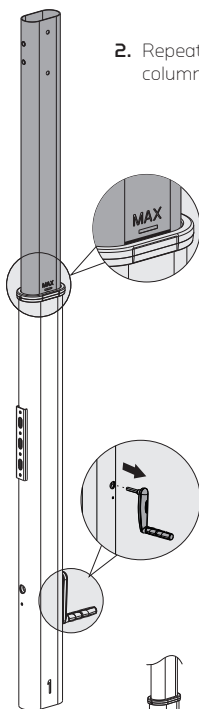
Attaching the Riser Post



1. Insert the handle into the riser column 1 and raise the column to the MAX line.



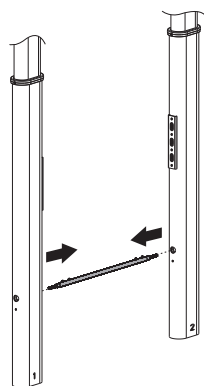
2. Repeat step 1 for the riser column 2.



3. Loosen the driving rod's screws at each end.

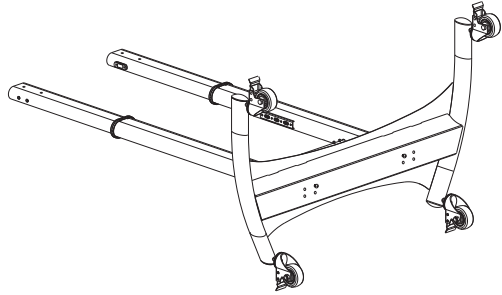
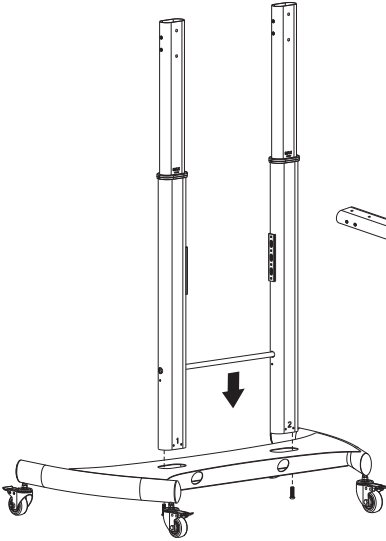
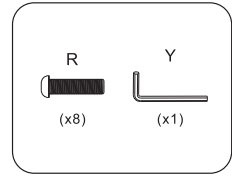
Pull out the hexagon bar about 40 mm, and tighten the screws until secure.

4. Insert each end of the driving rod into the two columns. You will need two people to complete this step.



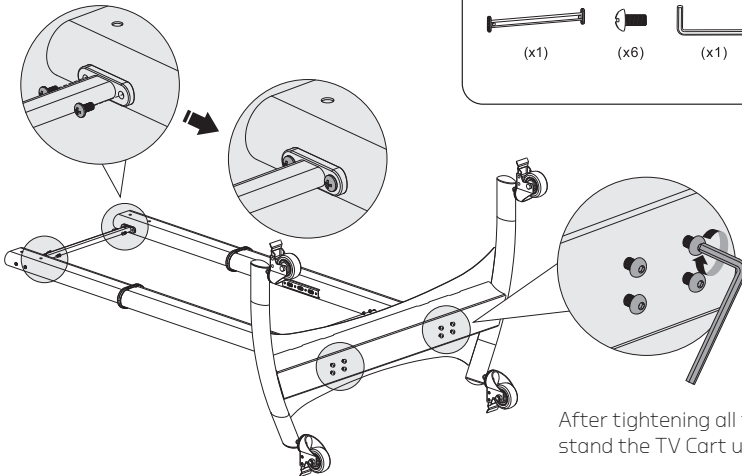
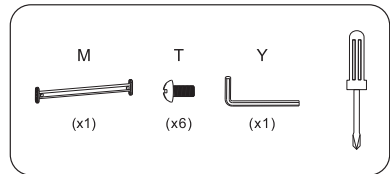
Attaching the Riser to the Base

Insert the riser into the base with the numbers 1 and 2 facing the rear.



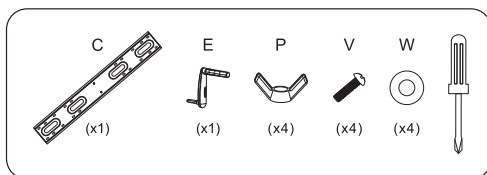
Hand-screw one screw per column, and then tilt the assembly on the side.

Installing the Crossbar

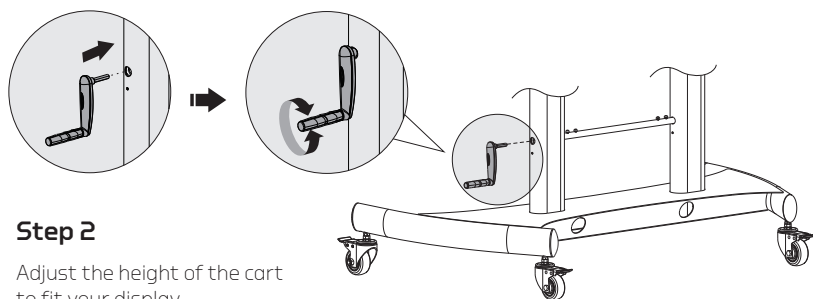
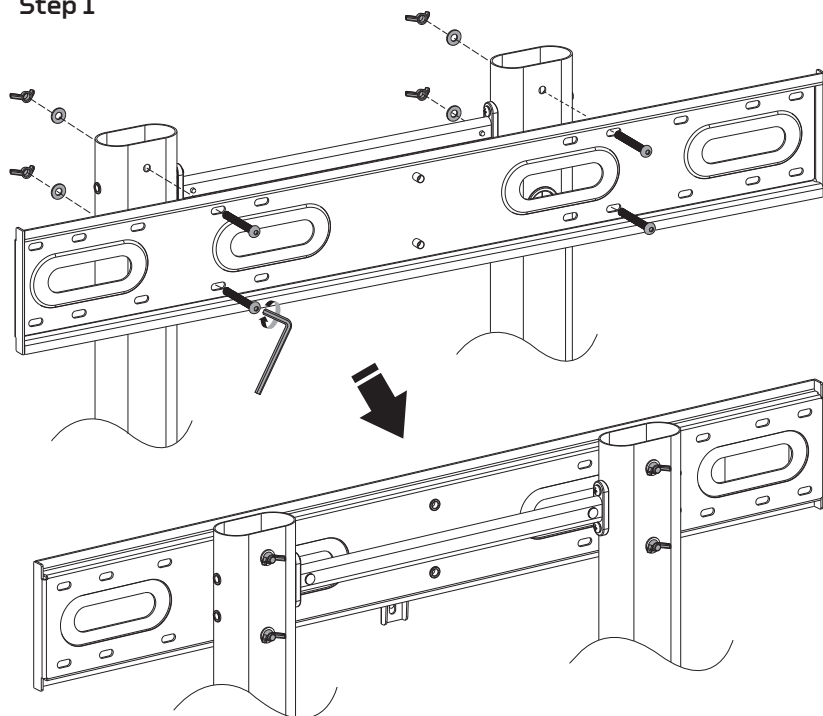


After tightening all the screws, stand the TV Cart upright.

Attaching the Display Mount



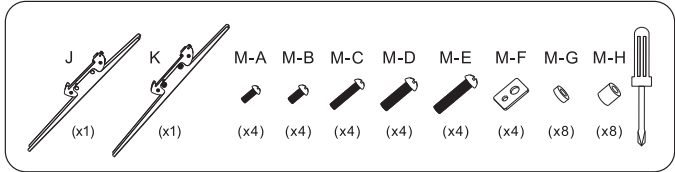
Step 1



Step 2

Adjust the height of the cart to fit your display.

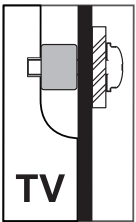
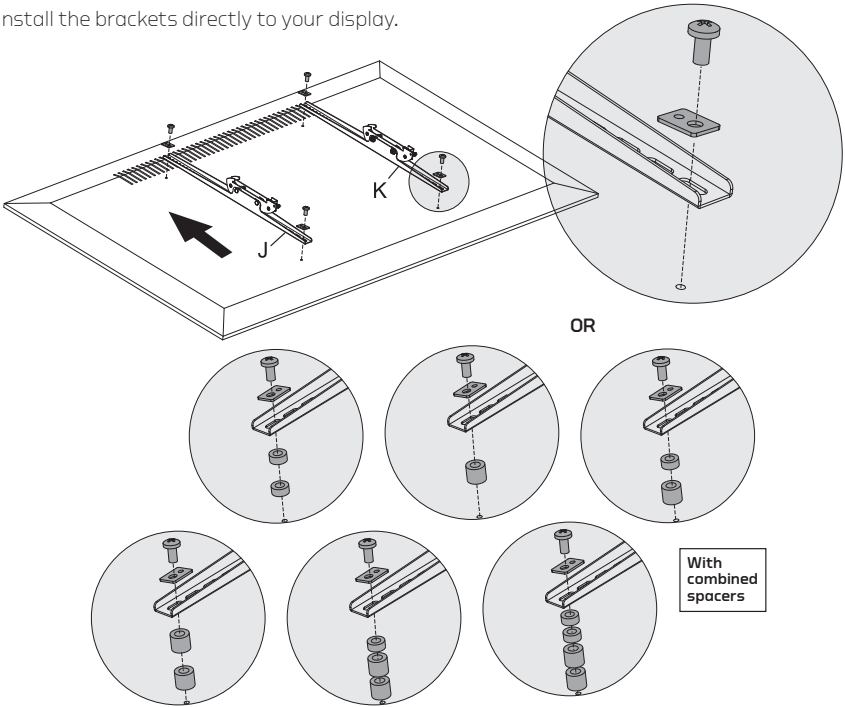
Installing the Display Brackets



Selecting the Right VESA Mounting Hardware for Your Display

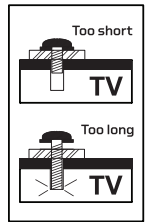
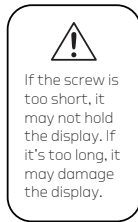
A variety of screws are included to fit VESA standards on the backs of most displays. Select the M-A, M-B, M-C, M-D, or M-E screws and washers that best fit your display. Hand-thread the screws to determine the correct diameter.

Install the brackets directly to your display.

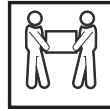


If your display has recessed mounting or a curved back:

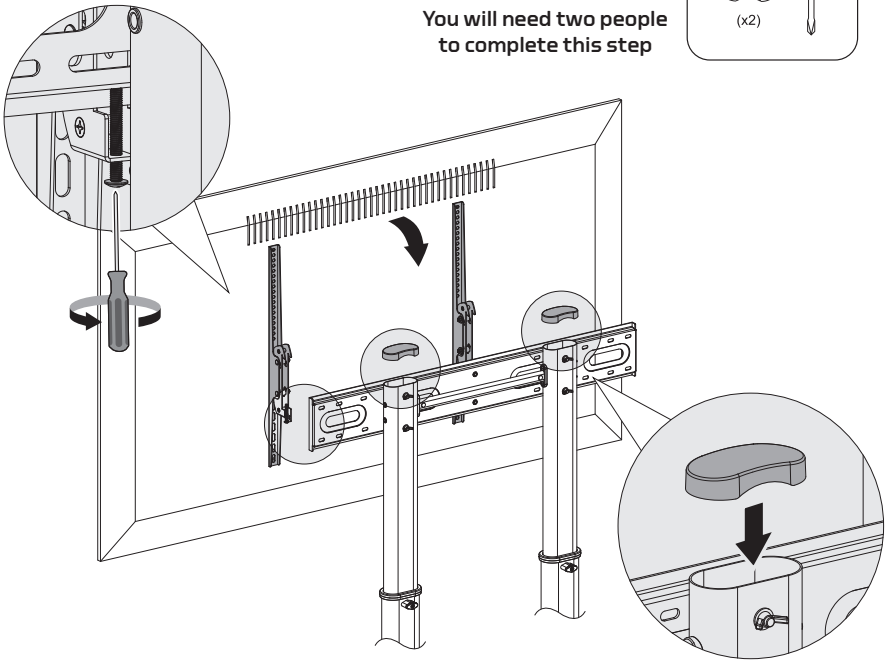
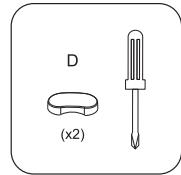
Install the spacers between the bracket and your display. You can combine spacers to best fit your display. Then fasten with the screws and washers until secure.



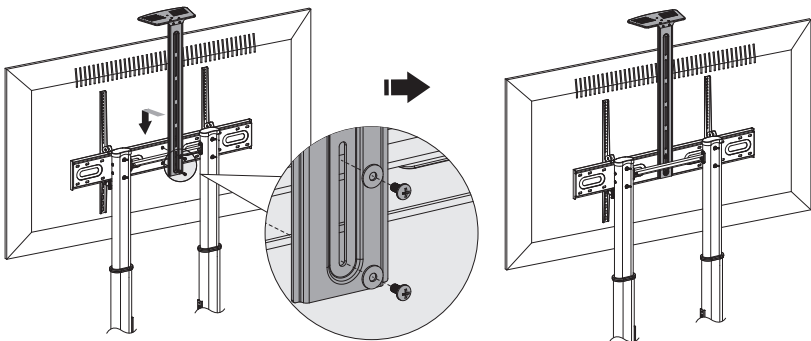
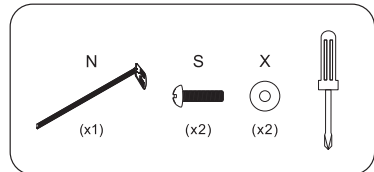
Hanging the Display on the Mount



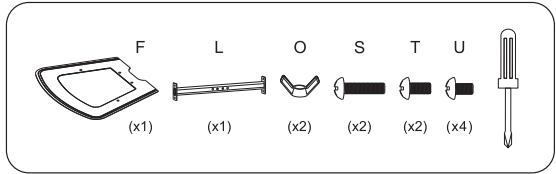
You will need two people to complete this step



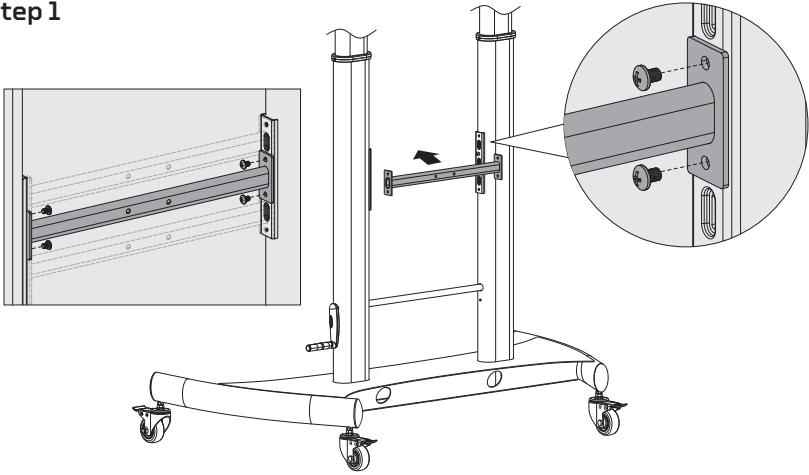
Installing the Camera Shelf



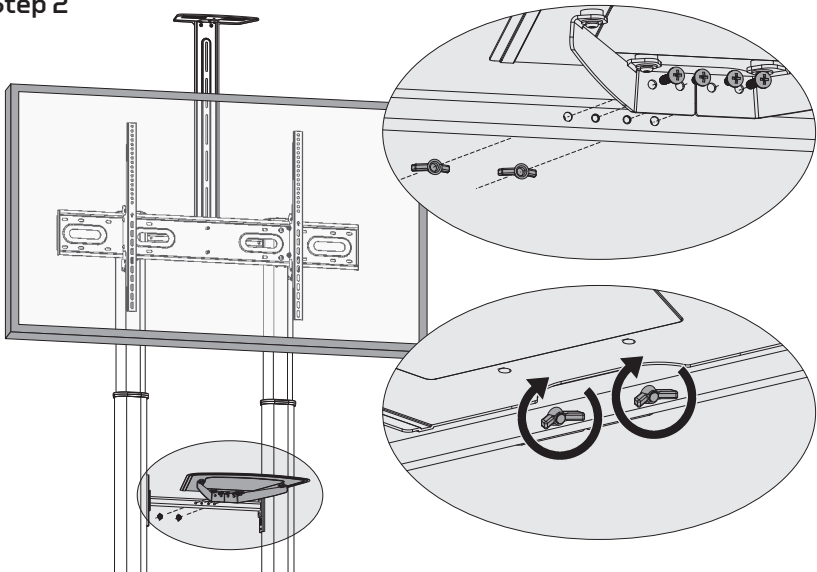
Installing the Media Shelf



Step 1

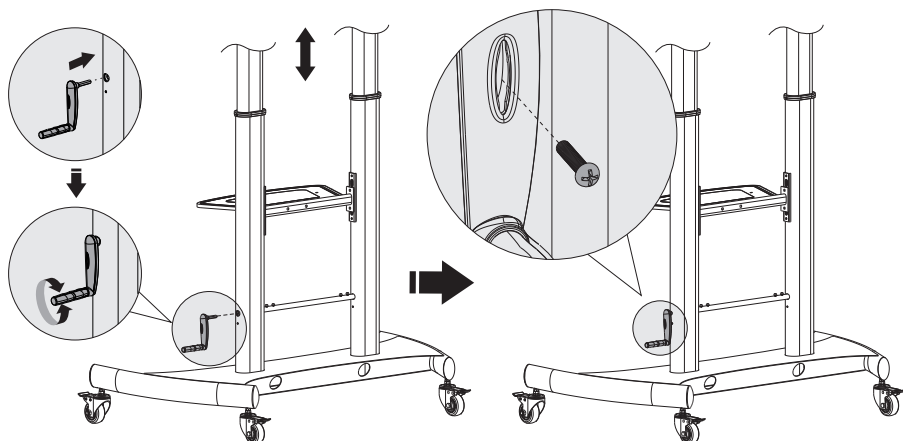
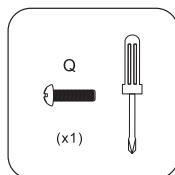


Step 2

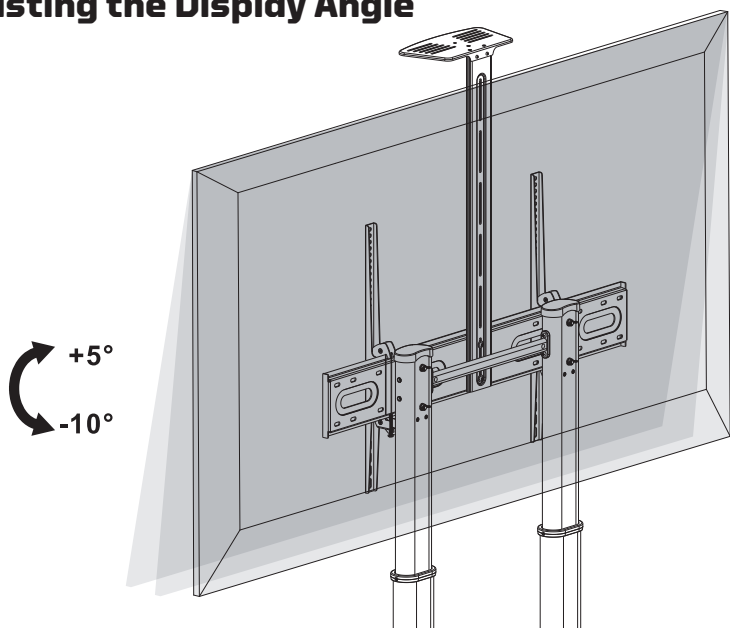


Adjusting the Display Height

Use the handle to raise or lower your display's height.
The provided security screw helps prevent the riser from unwanted movement under a heavy load.



Adjusting the Display Angle



ONE-YEAR LIMITED WARRANTY

This Gabor product is warranted to the original purchaser to be free from defects in materials and workmanship under normal consumer use for a period of one (1) year from the original purchase date or thirty (30) days after replacement, whichever occurs later. The warranty provider's responsibility with respect to this limited warranty shall be limited solely to repair or replacement, at the provider's discretion, of any product that fails during normal use of this product in its intended manner and in its intended environment. The inoperability of the product or part(s) shall be determined by the warranty provider. If the product has been discontinued, the warranty provider reserves the right to replace it with a model of equivalent quality and function.

This warranty does not cover damage or defect caused by misuse, neglect, accident, alteration, abuse, improper installation or maintenance. EXCEPT AS PROVIDED HEREIN, THE WARRANTY PROVIDER MAKES NEITHER ANY EXPRESS WARRANTIES NOR ANY IMPLIED WARRANTIES, INCLUDING BUT NOT LIMITED TO ANY IMPLIED WARRANTY OF MERCHANTABILITY OR FITNESS FOR A PARTICULAR PURPOSE. This warranty provides you with specific legal rights, and you may also have additional rights that vary from state to state.

To obtain warranty coverage, contact the Gabor Customer Service Department to obtain a return merchandise authorization ("RMA") number, and return the defective product to Gabor along with the RMA number and proof of purchase. Shipment of the defective product is at the purchaser's own risk and expense.

For more information or to arrange service, visit www.madebygabor.com or call Customer Service at 212-594-2353.

Product warranty is provided by the Gradus Group.

www.gradusgroup.com

Gabor is a registered trademark of the Gradus Group.

© 2024 Gradus Group LLC. All Rights Reserved.

