

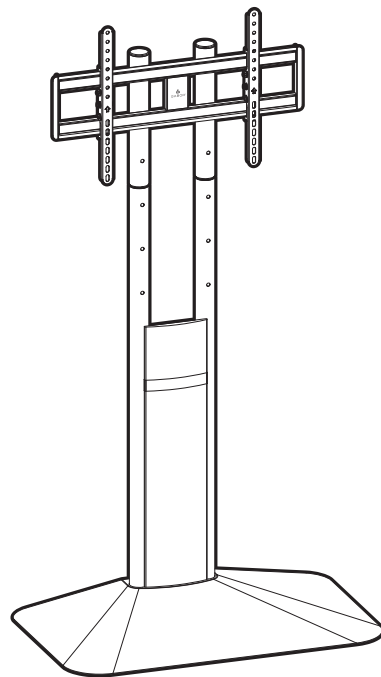


FPS-DC /

FLOOR STAND TV MOUNT

WITH WOOD ACCENT

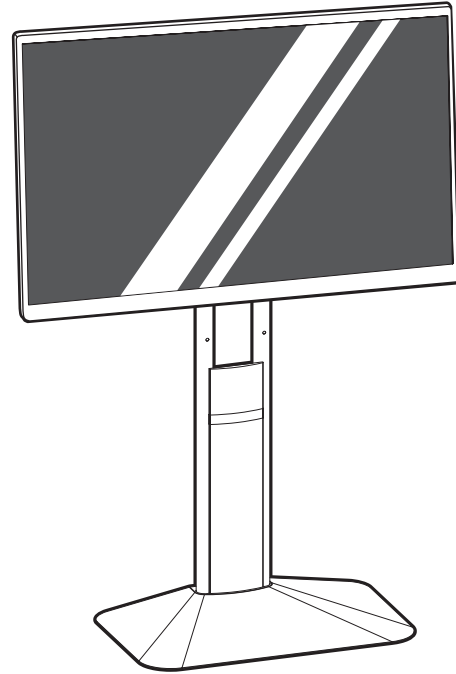
for 32-85 in. Displays



User Manual

Thank you for choosing Gabor.

The Gabor FPS-DC floor-standing TV mount offers a stylish design for any home or office. A wood accent and chromed metal finish elevate the stand and your display. The stand accommodates flat and curved panels with screen sizes from 32 to 85 inches and weights up to 110 pounds, with the ability to tilt the screen +5° or -10° for the optimal viewing angle. A large base provides an excellent counterbalance, and the wood panel hides your cables to provide a clean aesthetic in any room.



Safety Warnings

- When installing this product, be sure to refer to the mounting instructions detailed in this manual; failure to follow the mounting instructions may void the product warranty.
- It is strongly recommended that this product be installed by a qualified professional or installation contractor; Gabor takes no responsibility for any product damage or personal injury resulting from mishandling, incorrect mounting, faulty assembly, or improper use of this product.
- Do not use this product for any flat-panel screen device other than what it is intended for; the exact specifications, size parameters, and weight limits are found both on the product box and in the instruction manual.
- It is recommended that at least two people perform the installation process to prevent injury from mishandling or dropping the product or flat-panel display; proper safety gear and tools must be used at all times when installing this product.
- Do not assemble or use the cart on structures that may be affected by vibrations or noticeable impacts; do not assemble or use near a heater, fireplace, or any other source of direct heat energy.
- This product may contain small parts which can pose a choking hazard; keep out of reach of children and pets.
- Excessive exposure to liquids may damage the finish of this product; when cleaning this product, use only a mild detergent solution and quickly wipe dry with a soft cloth.
- If you have safety concerns about installing this product, contact a qualified professional or installation contractor.
- If this product is missing hardware or there are defective parts, visit www.madebygabor.com or call Customer Service at 212-594-2353.
- All images are for illustrative purposes only.

Product Specifications

Compatible Flat-Panel Display Size:

32 to 85 in. (81.3 to 215.9 cm)

Height:

63.4 in. (161 cm)

Max Weight Capacity

110 lb. (49.9 kg)

Weight:

33.7 lb. (15.3 kg)

Tilt:

-10°/+5°

Material:

Wood, steel, plastic

Base Dimensions:

34.1 × 20.3 × 2.2 in. (86.5 × 51.5 × 5.7 cm)

VESA Mounting Patterns

100 × 100 mm

150 × 100 mm

150 × 150 mm

200 × 100 mm

200 × 200 mm

300 × 200 mm

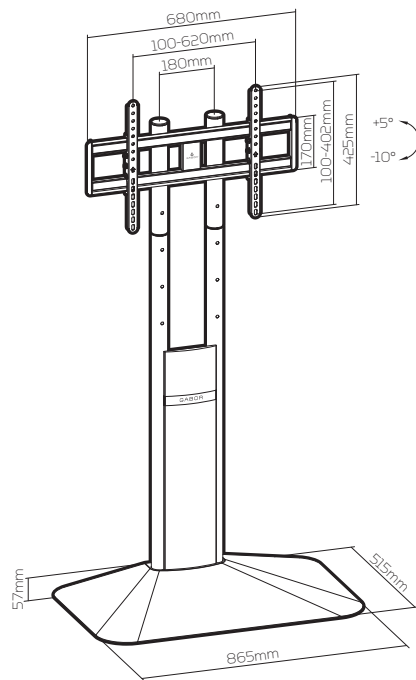
300 × 300 mm

400 × 200 mm

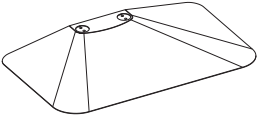



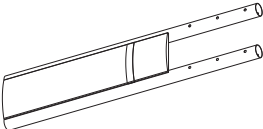



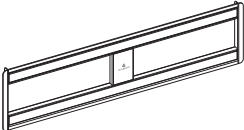
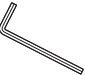
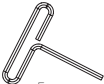
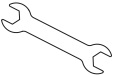
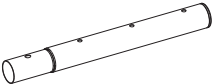
400 × 300 mm

400 × 400 mm

600 × 400 mm

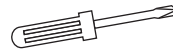


Overview



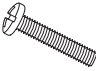
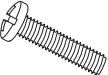



A  1X	E 2X 	F 4X  m6×10	G 4X  m8×25
B  1X	H 4X  m8×65	I 12X  D8	J 4X  M8
C  1X	K 1X  4 mm	L 1X  5 mm	M 1X  13-14 mm
D  2X			

Required Tools

Phillips screwdriver

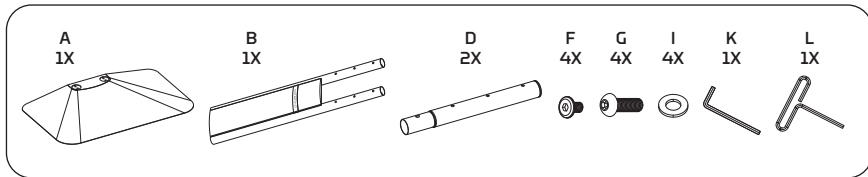
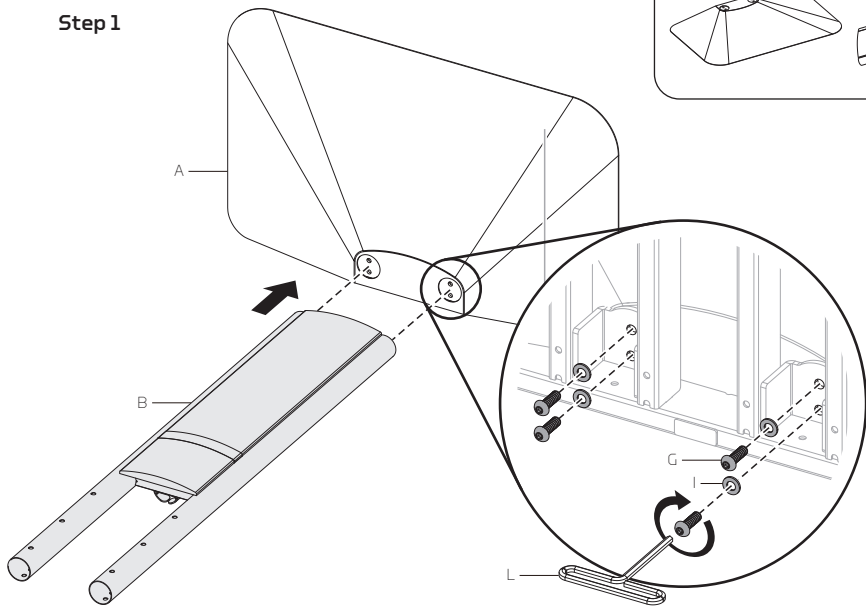


Mounting Hardware

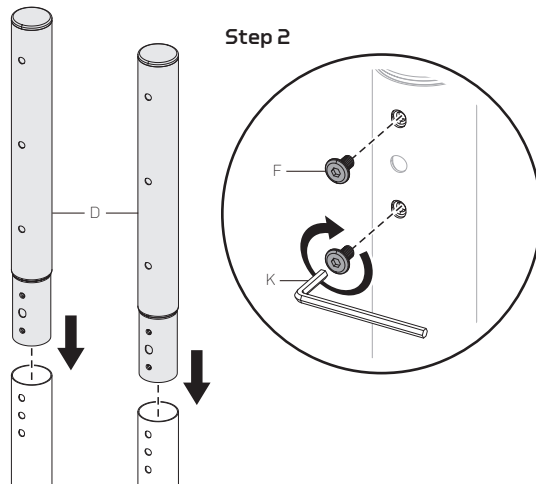
M-A 4X  m6×14	M-B 4X  m8×16	
M-C 4X  m6×30	M-D 4X  m8×35	
M-E 4X  D8	M-F 4X  Ø15×Ø8×5	M-G 4X  Ø15×Ø8×15

Assembling the Stand

Step 1

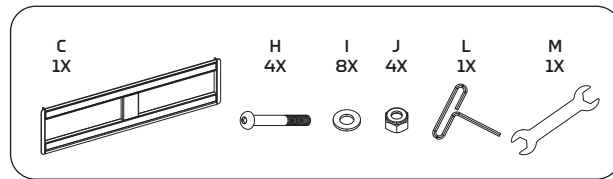
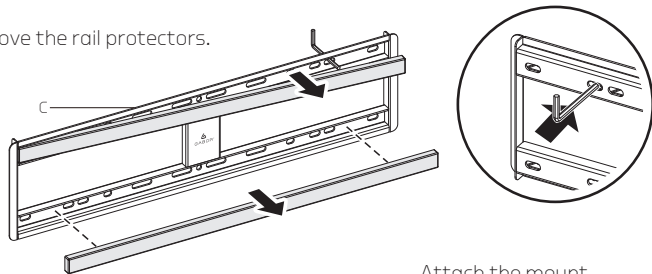


Step 2

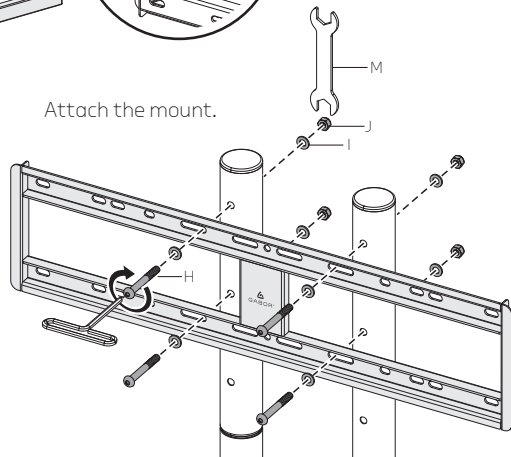
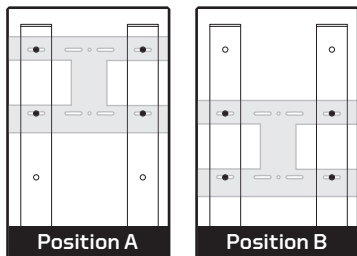


Attaching the Display Mount

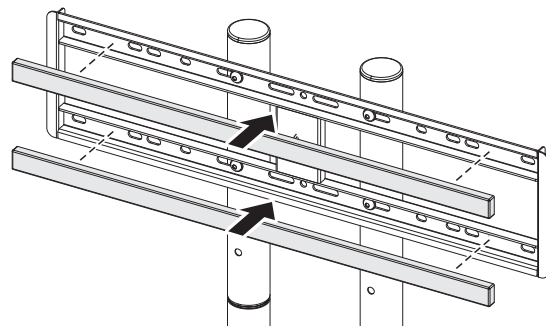
Remove the rail protectors.



Attach the mount.

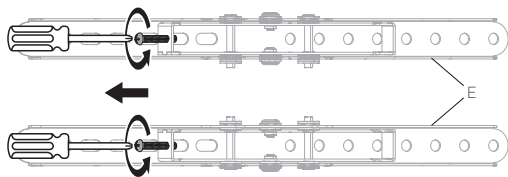


Replace the rail protectors.

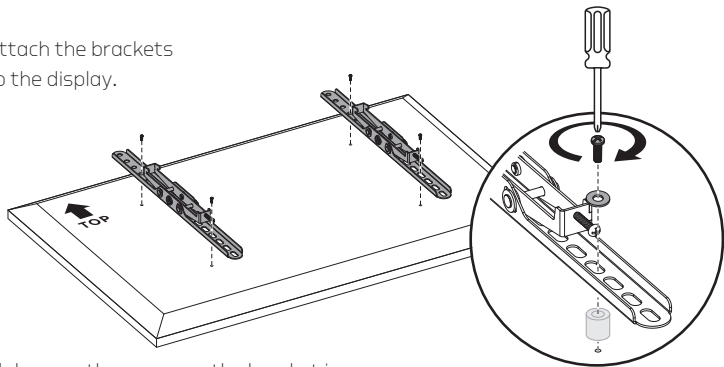


Attaching the Display Brackets

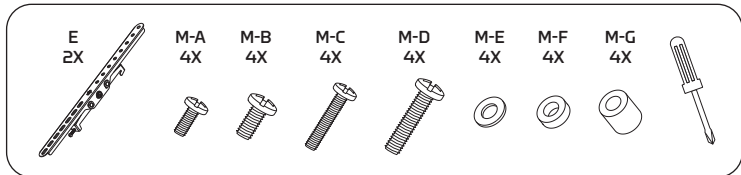
Loosen the security screws.



Attach the brackets to the display.

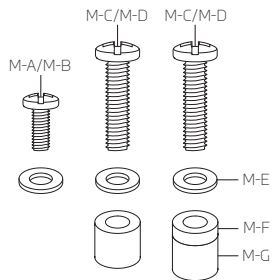


Make sure the arrow on the bracket is facing up toward the top or your TV.



A variety of screws are included for different VESA standards on the backs of most displays.

Select the appropriate-size screws and washers.



Hand-thread the screws to determine the correct diameter.



Warning

If the screw is too short, it may not hold the display.
If it's too long, it may damage the display.



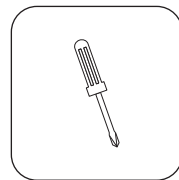
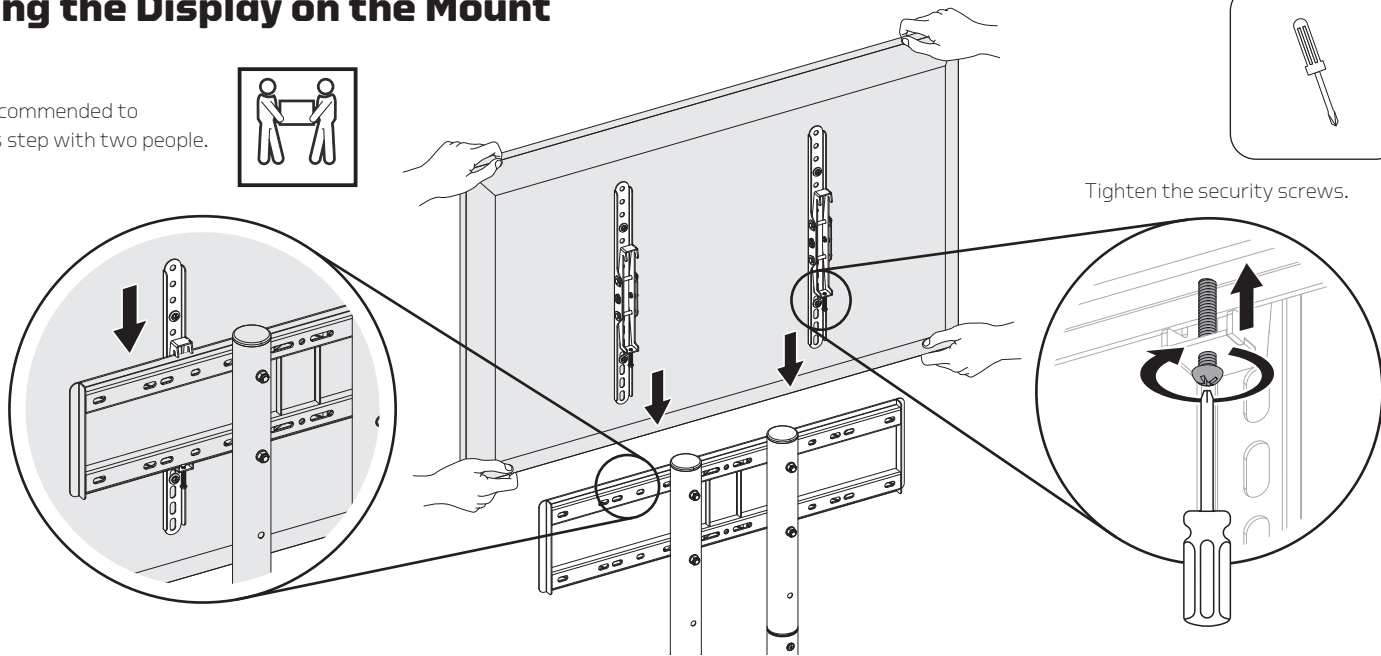
Too Short



Too Long

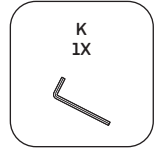
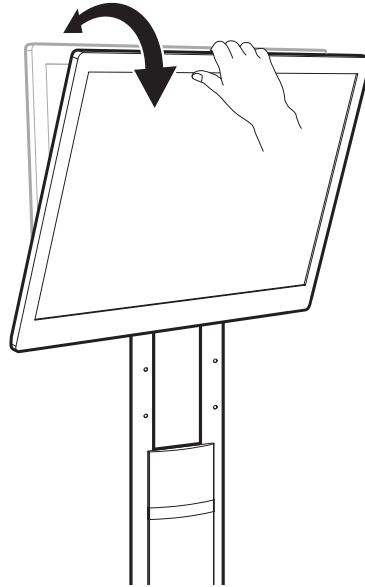
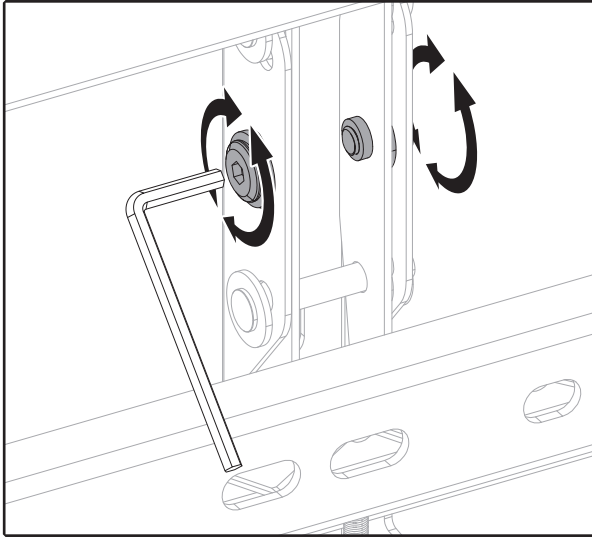
Hanging the Display on the Mount

It's highly recommended to perform this step with two people.

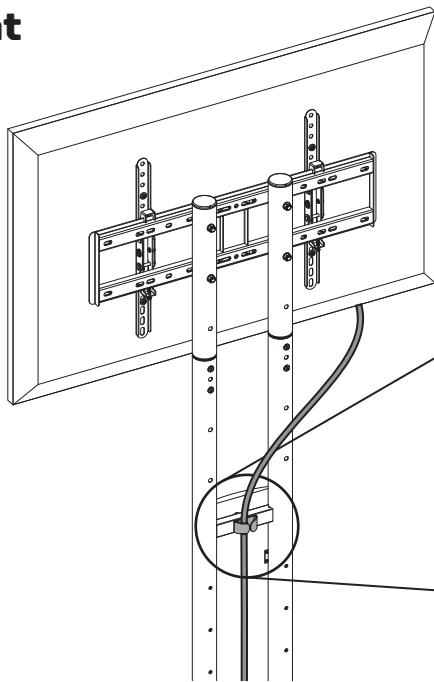


Tighten the security screws.

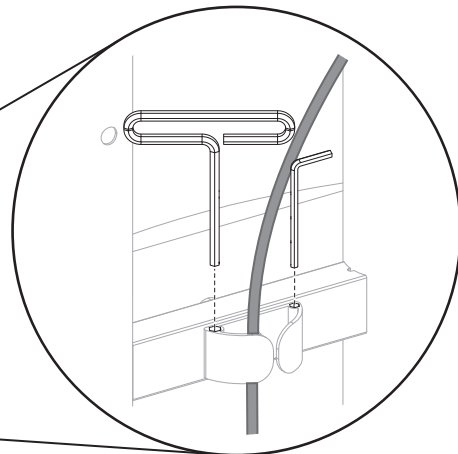
Adjusting the Monitor Tilt



Cable Management



Tool Storage



One-Year Limited Warranty

This Gabor product is warranted to the original purchaser to be free from defects in materials and workmanship under normal consumer use for a period of one (1) year from the original purchase date or thirty (30) days after replacement, whichever occurs later. The warranty provider's responsibility with respect to this limited warranty shall be limited solely to repair or replacement, at the provider's discretion, of any product that fails during normal use of this product in its intended manner and in its intended environment. Inoperability of the product or part(s) shall be determined by the warranty provider. If the product has been discontinued, the warranty provider reserves the right to replace it with a model of equivalent quality and function.

This warranty does not cover damage or defect caused by misuse, neglect, accident, alteration, abuse, improper installation or maintenance. EXCEPT AS PROVIDED HEREIN, THE WARRANTY PROVIDER MAKES NEITHER ANY EXPRESS WARRANTIES NOR ANY IMPLIED WARRANTIES, INCLUDING BUT NOT LIMITED TO ANY IMPLIED WARRANTY OF MERCHANTABILITY OR FITNESS FOR A PARTICULAR PURPOSE. This warranty provides you with specific legal rights, and you may also have additional rights that vary from state to state.

To obtain warranty coverage, contact the Gabor Customer Service Department to obtain a return merchandise authorization ("RMA") number, and return the defective product to Gabor along with the RMA number and proof of purchase. Shipment of the defective product is at the purchaser's own risk and expense.

For more information or to arrange service, visit www.madebygabor.com or call Customer Service at 212-594-2353.

Product warranty provided by the Gradus Group.

www.gradusgroup.com

Gabor is a registered trademark of the Gradus Group. © 2024 Gradus Group LLC. All Rights Reserved.



GG3