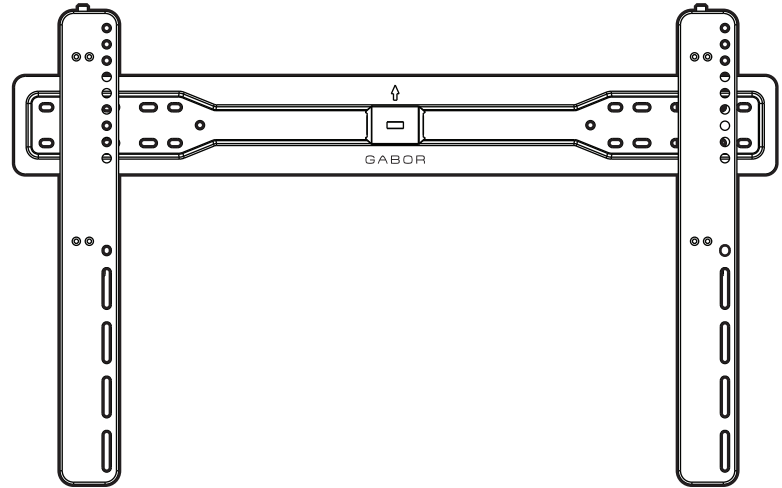




FM-USL / ULTRA SLIM PROFILE TV MOUNT

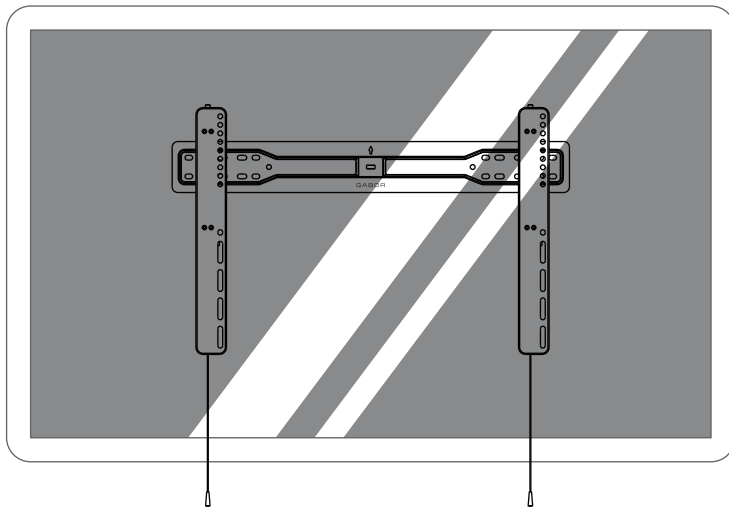
for 37 to 75 in. Displays

User Manual



Thank you for choosing Gabor.

The Gabor Ultra Slim Low Profile Mount offers a discreet and durable support for displays measuring from 37 to 75 inches and weighing up to 100 pounds. This slim profile offers a mounting depth of 0.7 inches, ensuring your display will hang nearly flush against the wall.



Safety Warnings

- When installing this product, be sure to refer to the mounting instructions detailed in this manual; failure to follow the mounting instructions may void the product warranty.
- It is strongly recommended that this product be installed by a qualified professional or installation contractor; Gabor takes no responsibility for any product damage or personal injury resulting from mishandling, incorrect mounting, faulty assembly, or improper use of this product.
- Do not use this product for any flat-panel screen device other than what it is intended for; the exact specifications, size parameters, and weight limits are found both on the product box and in the instruction manual.
- It is recommended that at least two people perform the installation process to prevent injury from mishandling or dropping the product or flat-panel display; proper safety gear and tools must be used at all times when installing this product.
- Do not assemble or use the mount on structures that may be affected by vibrations or noticeable impacts; do not assemble or use near a heater, fireplace, or any other source of direct heat energy.
- This product may contain small parts which can pose a choking hazard; keep out of reach of children and pets.
- Excessive exposure to liquids may damage the finish of this product; when cleaning this product, use only a mild detergent solution, and quickly wipe dry with a soft cloth.
- If you have safety concerns about installing this product, contact a qualified professional or installation contractor.
- If this product is missing hardware or there are defective parts, visit www.madebygabor.com or call Customer Service at 212-594-2353.
- All images are for illustrative purposes only.

Product Specifications

Compatible display size

37 to 75 in. (94 to 190.5 cm)

Depth from mounting surface

0.7 in. (18 mm)

VESA Mounting Patterns

200 × 200 mm
300 × 200 mm
300 × 300 mm
400 × 200 mm
400 × 300 mm
400 × 400 mm
600 × 400 mm

Max Weight Capacity

100 lb. (45.4 kg)

Material

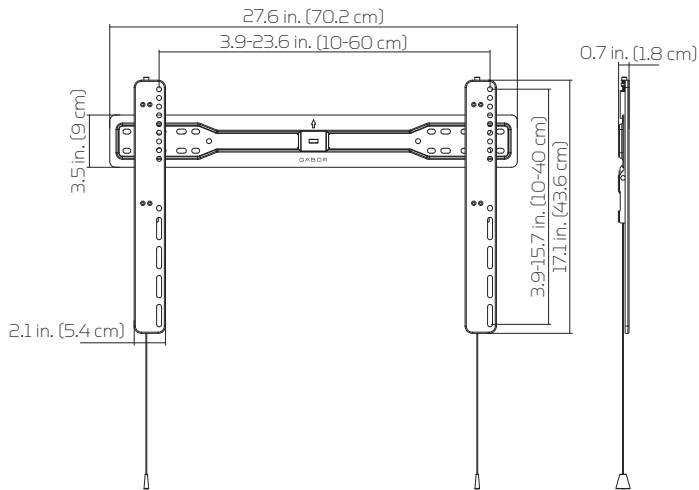
Steel

Wall-plate dimensions

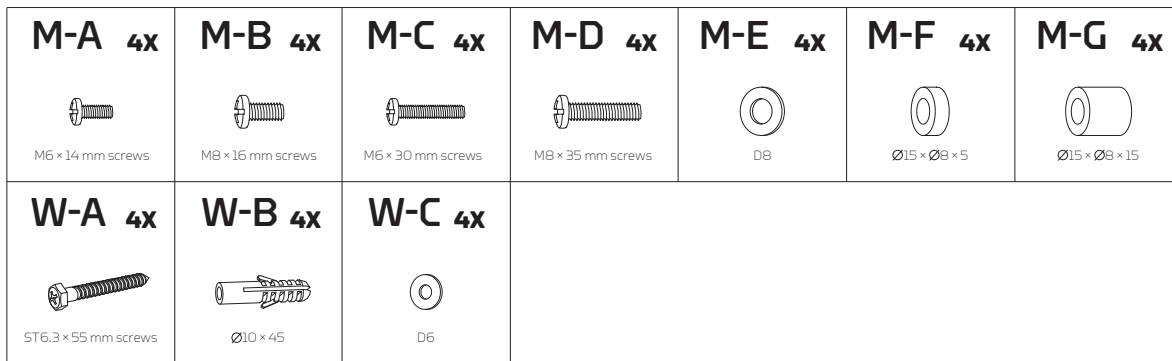
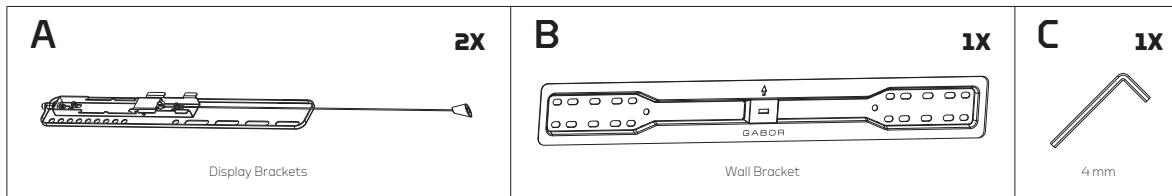
27.6 in. × 3.5 in. (70.2 × 9 cm)

Weight

4.1 lb. (1.8 kg)



Overview



Required Tools

Drill



Phillips screwdriver



Stud finder



Pencil



3/16 in. (4.5 mm)
Wood drill bit



3/8 in. (10 mm)
Concrete drill bit



Socket wrench (10 mm)



Bubble level



Display/TV Placement

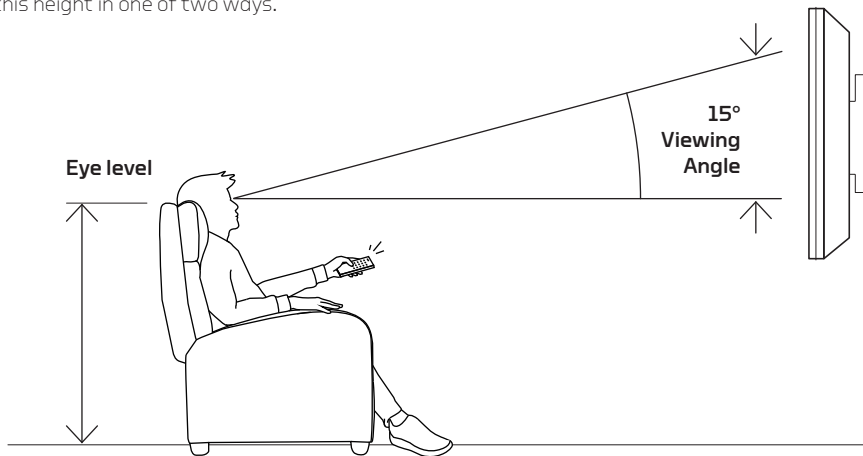
Before installing the Gabor Ultra Slim Low Profile TV Mount, you will need to determine the placement of your display and identify surrounding support structures for attachment.

The best height for a display is at the viewer's eye level. You can find this height in one of two ways.

1. Measure the distance from the seating area to the viewing area. The ideal position is when the center of the display (where the diagonals meet) is as close as possible to eye level.

OR

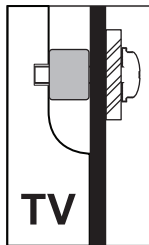
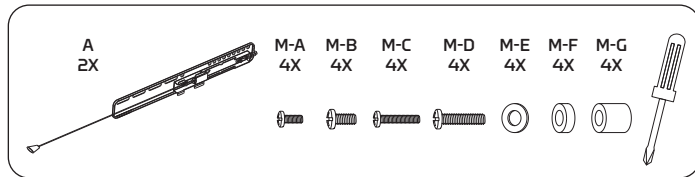
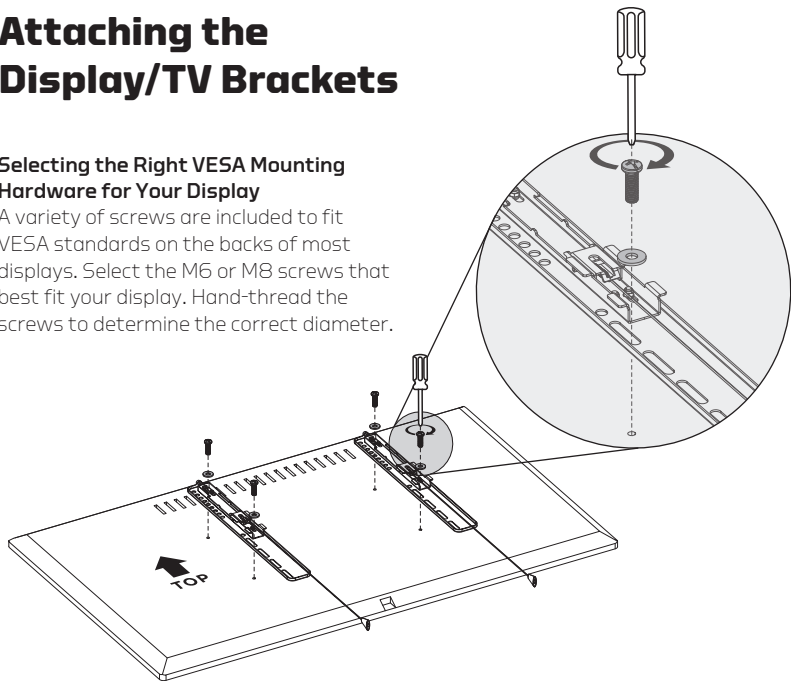
2. Cut a piece of sturdy cardboard that's approximately the same size as your display. Use the cardboard to find a comfortable height, and mark the mounting location with a pencil.



Attaching the Display/TV Brackets

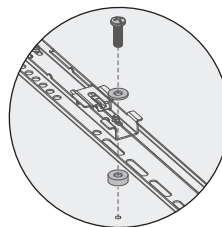
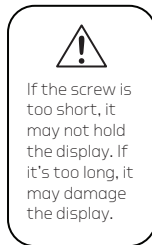
Selecting the Right VESA Mounting Hardware for Your Display

A variety of screws are included to fit VESA standards on the backs of most displays. Select the M6 or M8 screws that best fit your display. Hand-thread the screws to determine the correct diameter.

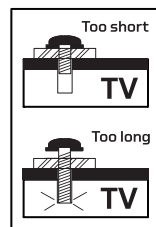
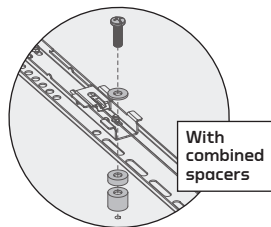


If Your Display Has Recessed Mounting or a Curved Back:

Install the spacers between the bracket and your display. You can combine spacers to best fit your display. Then fasten with the screws and washers until secure.

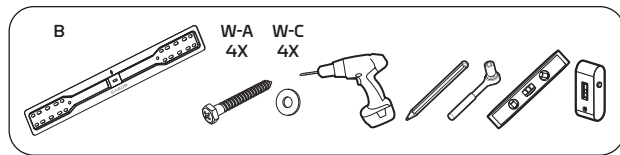


OR

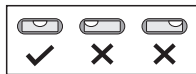


Attaching the Wall Bracket to Wooden Studs

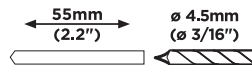
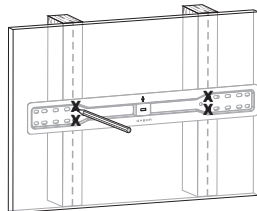
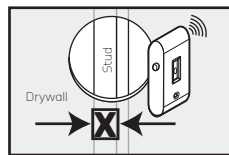
Wood studs run vertically inside the wall, 16 inches apart, behind the drywall or plaster. The display mount must be attached to the wood studs, or the bracket could fall out and damage your display or cause personal harm.



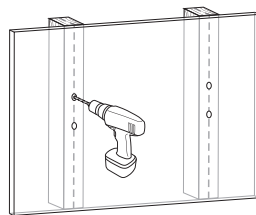
1. Use a stud finder to locate the edges of the wooden stud, and mark the center.



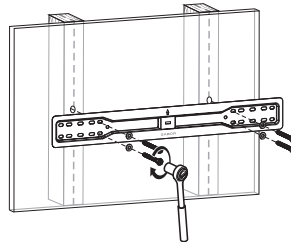
2. Use the provided bubble level to make sure the bracket is level before drilling. Use a pencil to mark the four locations as shown, and place a piece of tape over each mark.



3. Use a 3/16-inch (4.5 mm) wood drill bit to predrill the marked spots 2.2 inches (55 mm) deep, and then clean out the debris from the holes.



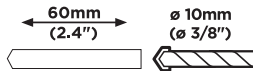
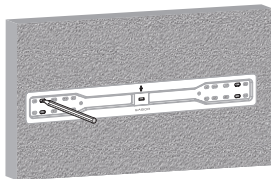
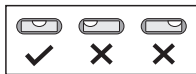
4. Attach the bracket to the wall by inserting four anchor screws through the washers and the wall brackets' mounting holes, and screwing them into the predrilled support holes until secure.



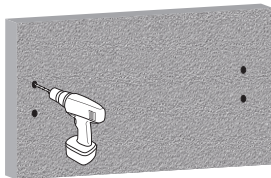
Attaching the Wall Bracket to Concrete

Warning! Make sure the concrete wall is solid and at least 8 inches thick. If the concrete exhibits cracks or other defects, this may result in failure of the concrete anchors and cause serious personal injury or damage to your display.

1. Use the provided bubble level to make sure the bracket is level before drilling. Use a pencil to mark the six locations as shown, and place a piece of tape over each mark.



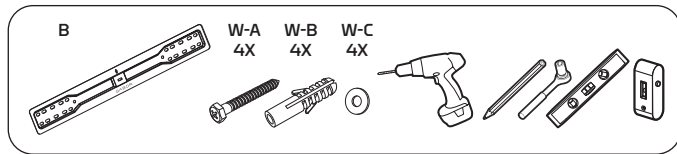
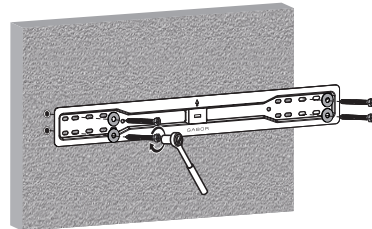
2. Use a 3/8-inch (10 mm) concrete drill bit to predrill the marked spots 2.4 inches (60 mm) deep, and then clean out the debris from the holes.



3. Insert the concrete anchors into the predrilled holes.



4. Attach the bracket to the wall by inserting the anchor screws through the washers and the wall brackets' mounting holes, and screwing them into the anchors until secure.

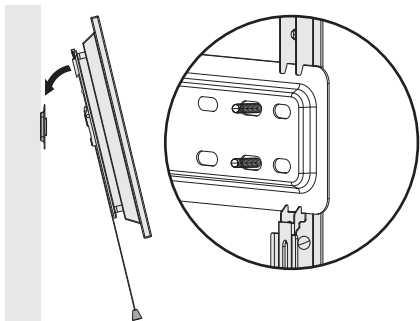


Hanging the Display on the Mount



Important! We recommend that two people perform this step.

To hang the display, hook the top of the display brackets onto the mount and push the display towards the wall until the lower part of the brackets click in place. If the lower part of the display is hard to push, pull down on the cable release until it's in place, and release the cable. Make sure the display is secure.

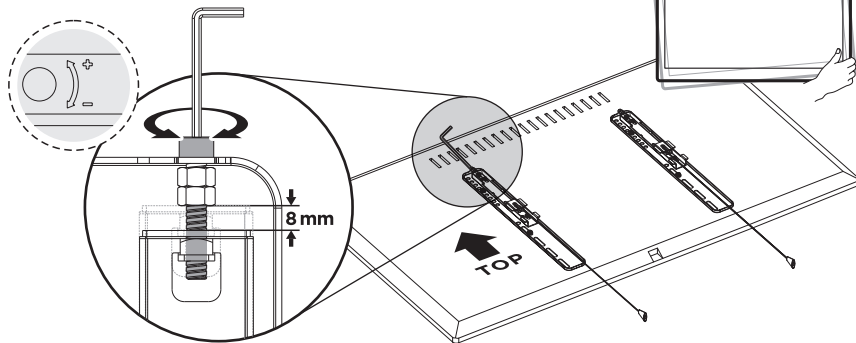
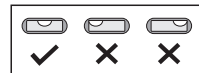
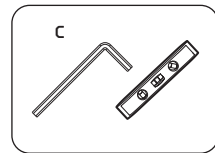


Adjusting the Display's Horizontal Level



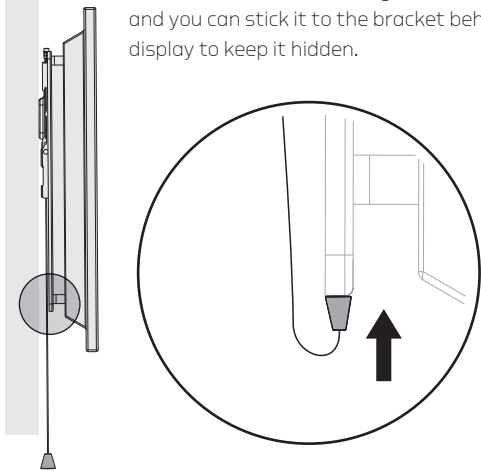
Important! We recommend that two people perform this step.

After hanging the display, check the horizontal level by placing a leveler on top of the display. If you need to make an adjustment, remove the display, and use the included hex wrench to adjust the display bracket up or down as shown.



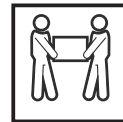
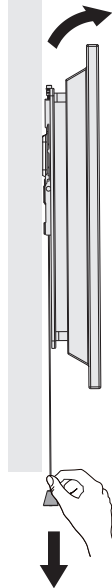
Securing the Magnetic Cable Release

The release cable has a magnet on the end, and you can stick it to the bracket behind the display to keep it hidden.



Removing the Display

To remove the display, pull down on the cable release and pull the display away from the wall and off the mount.



One-Year Limited Warranty

This Gabor product is warranted to the original purchaser to be free from defects in materials and workmanship under normal consumer use for a period of one (1) year from the original purchase date or thirty (30) days after replacement, whichever occurs later. The warranty provider's responsibility with respect to this limited warranty shall be limited solely to repair or replacement, at the provider's discretion, of any product that fails during normal use of this product in its intended manner and in its intended environment. Inoperability of the product or part(s) shall be determined by the warranty provider. If the product has been discontinued, the warranty provider reserves the right to replace it with a model of equivalent quality and function.

This warranty does not cover damage or defect caused by misuse, neglect, accident, alteration, abuse, improper installation or maintenance. EXCEPT AS PROVIDED HEREIN, THE WARRANTY PROVIDER MAKES NEITHER ANY EXPRESS WARRANTIES NOR ANY IMPLIED WARRANTIES, INCLUDING BUT NOT LIMITED TO ANY IMPLIED WARRANTY OF MERCHANTABILITY OR FITNESS FOR A PARTICULAR PURPOSE. This warranty provides you with specific legal rights, and you may also have additional rights that vary from state to state.

To obtain warranty coverage, contact the Gabor Customer Service Department to obtain a return merchandise authorization ("RMA") number, and return the defective product to Gabor along with the RMA number and proof of purchase. Shipment of the defective product is at the purchaser's own risk and expense.

For more information or to arrange service, visit www.madebygabor.com or call Customer Service at 212-594-2353.

Product warranty provided by the Gradus Group.

www.gradusgroup.com

Gabor is a registered trademark of the Gradus Group. © 2024 Gradus Group LLC. All Rights Reserved.

