

On-Camera / Location / Studio
LED Lights for broadcasting and cinema

CINEROID LED LIGHTING



VARIABLE
COLOR TEMP.

DMX
ready

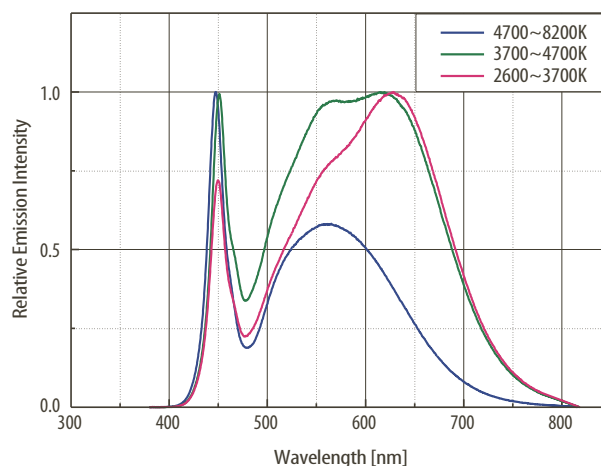
 Flicker-Free

CE

CINEROID LIGHT COMMON FEATURES

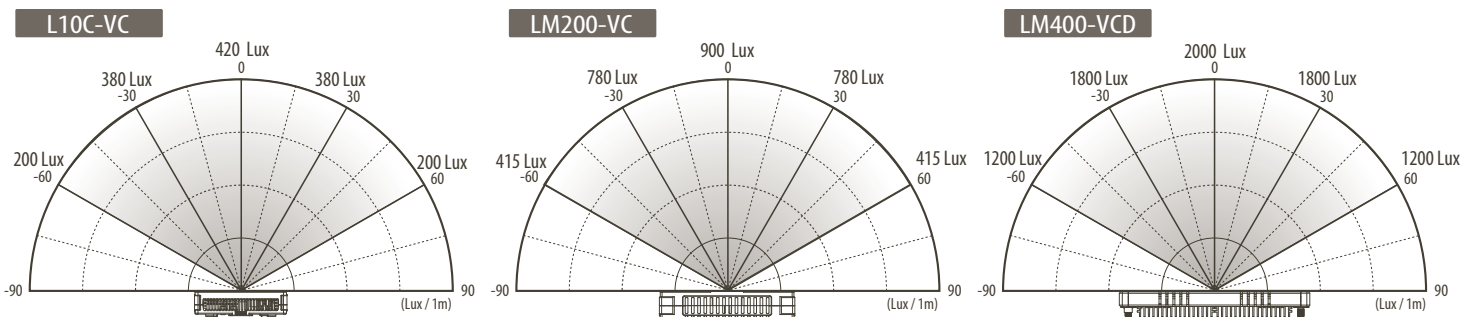
HIGH POWER LED LIGHT

The LEDs used in Cineroid lights are rated for 50,000 hours use and have high CRI (Color Rendering Index) values. They provide a uniformly soft light for natural tones in both photo and video use.



PHOTOMETRIC PHYSICAL DATA

Photometric tests conducted using Cineroid measurement system. All measured lumens data is shown for rated input voltage.



30 STEP DIMMING

The brightness can be adjusted using the dial on the unit. The brightness can be set in a range of 0-30 steps.

VARIABLE COLOR TEMPERATURE

Color temperature is variable between 3000°K (tungsten) to 5600°K (daylight) by single knob control.

FLICKER-FREE

The light remains flicker-free throughout all 30 steps of brightness.

DIGITAL DISPLAY

The intuitive on-board digital control panel with its bright and clear digital display makes operating the light quick and easy.

SILENT COOLING SYSTEM

Cineroid LED lights incorporate a high-performance aluminium heatsink instead of a traditional cooling fan. This ensures a noiseless operation without affecting the important process of dissipating heat.

WIDE RANGE OF ACCESSORIES

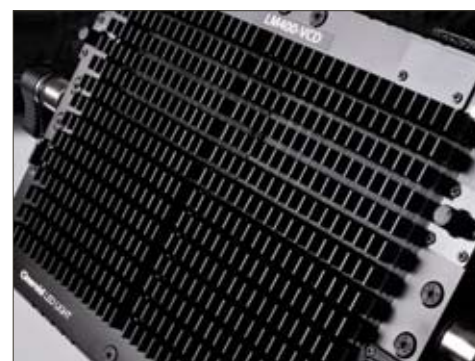
A range of accessories including diffusers, barndoors, yokes, battery mounts and DMX controllers are available for Cineroid lights.



Digital Display



Dimming Control



Silent Cooling System

ON-CAMERA LIGHT



Compact & Lightweight

Cineroid on-camera lights provide high-power illumination for camcorders and DSLRs. They provide a perfect fill light in low-level situations.



Compatible with DSLR Camera Batteries

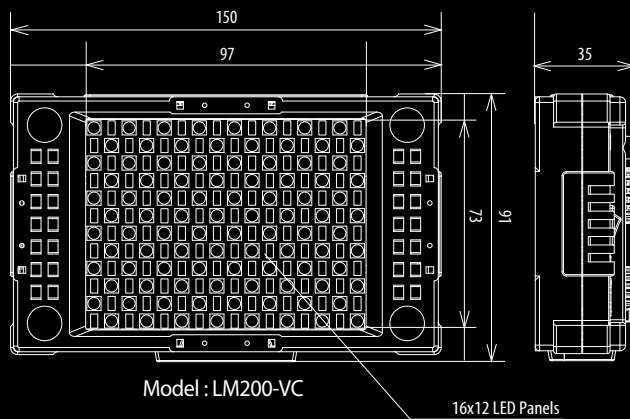
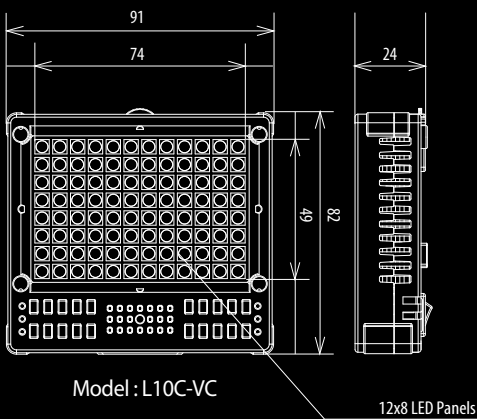
Both the L10C-VC and LM200-VC can be powered with ordinary camera batteries with plates available for Canon, Nikon, Sony and Panasonic battery types.



On-Camera Light

- Compatible with DSLR Batteries
- 30 Step Brightness
- Variable Color Temperature
- Digital Display
- Flicker-Free
- Silent Cooling System
- Various Power Options

DIMENSIONS (mm)



SPECIFICATION

Power input : 6~17 V
 Battery : Multi vendor battery support
 Light angle : 120 degree
 Brightness step : 30 steps
 Mount : 1/4" screw mount
 External Power : D-tap cable
 Color Temp. : 3000°K~5600°K ±200°K

| Model | Weight (g) | Photometric (/1 m) | Consumption |
|----------|------------|--------------------|-------------|
| LM200-VC | 280 | 900 Lux | 30 W |
| L10C-VC | 160 | 420 Lux | 18 W |

CONTENTS

LM200-VC
 Main Body / Diffuser / Battery Mount /
 Mini Ball Head / Manual / Bag

L10C-VC
 Main Body / Honeycomb / Manual /
 Battery Mount / Mini Ball Head

LOCATION LIGHT

Location Light

Cineroid field lights are durable and portable, suitable for use indoors or outdoors. Its size and power makes it a great travelling light source.

Durable Metal Body

Housed in a durable aluminium body, they are designed to be used in all professional shooting environments.

Compatible with Gold / V-Mount Batteries

Cineroid location light series offers the ability to be powered by both V-Mount and Gold-Mount batteries using the two optional battery mounts.

Control by DMX Console

A DMX encoder option allows control of brightness and color temperature with daisy-chaining of multiple lights together or separately.



Location Light

Durable Metal Body

Compatible with AB / V-Mount

DMX Ready

30 Step Brightness

Variable Color Temperature

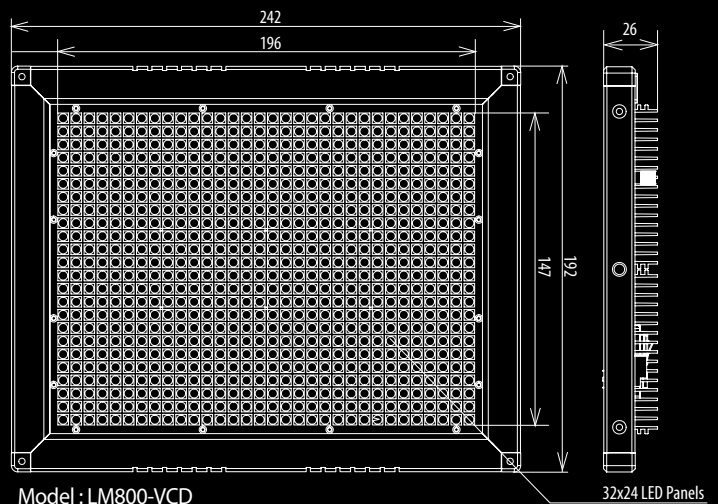
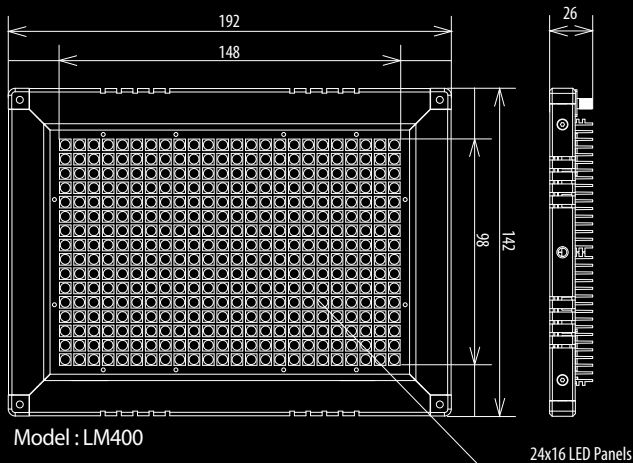
Digital Display

Flicker-Free

Silent Cooling System

Various Power Options

DIMENSIONS (mm)



SPECIFICATION

Weight : 640 g
Power input : 10~17 V
Battery : Multi vendor battery support
Light angle : 120 degree
Brightness step : 30 steps
Mount : 1/4" screw mount
External Power : D-tap cable

| Model | Color Temp. | Photometric (/1 m) | Consumption |
|-----------|----------------------|--------------------|-------------|
| LM400-3KD | 3000°K | 1800 Lux | 72 W |
| LM400-5KD | 5600°K | 1800 Lux | 72 W |
| LM400-VCD | 3000°K~5600°K ±200°K | 2000 Lux | 60 W |
| LM800-VCD | 3000°K~5600°K ±200°K | 3400 Lux | 120 W |

CONTENTS

LM400-3KD / LM400-5KD / LM400-VCD
 Main Body / AC Adapter / Manual

LM400-VCDs
 Main Body / AC Adapter / Barn Door /
 Yoke / Diffuser / Manual /
 Bag

STUDIO LIGHT

Studio Light

Cineroid LS Light series are designed to use in studio. They are the most powerful of all Cineroid LED Light series.

Durable Metal Body

Housed in a durable aluminium body, they are designed to be used in all professional shooting environments.

Compatible with Gold / V-Mount Batteries

The LS800 and LS1600 offer the ability to be powered by Gold and V-Mount batteries.

Control by DMX Console

A built-in DMX encoder allows control of brightness and color temperature with daisy-chaining of multiple lights together or separately.



Studio Light

0~100% DIMMING

Durable Metal Body

Compatible with AB / V-Mount

Built-in DMX Port

30 Step Brightness

Variable Color Temperature

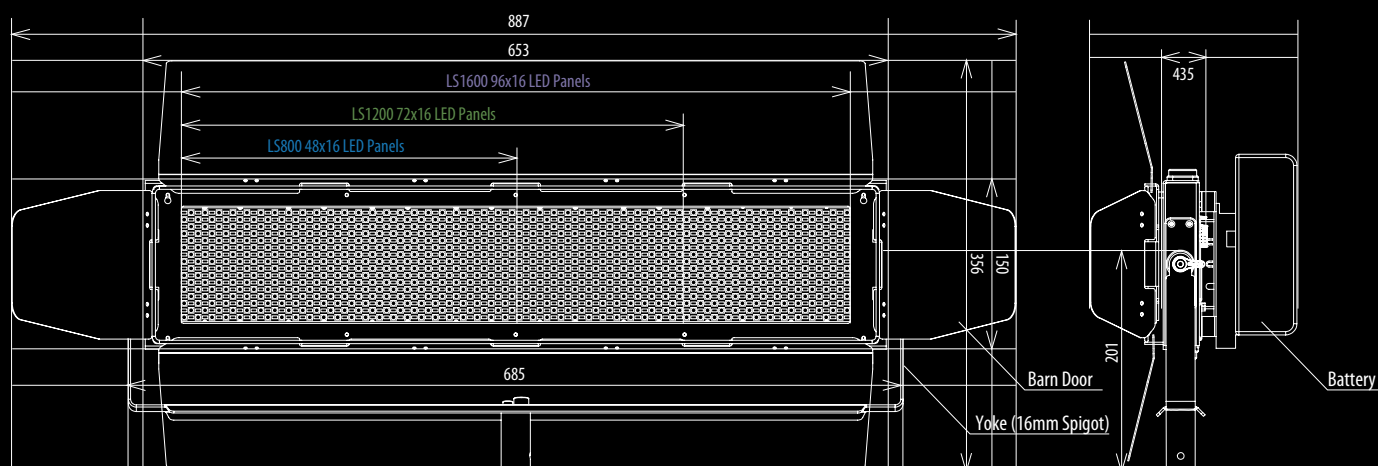
Digital Display

Flicker-Free

Silent Cooling System

Various Power Options

DIMENSIONS (mm)



SPECIFICATION

Power input : 10 ~ 17 V
 Battery : Multi vendor battery support
 Light angle : 120 degree
 Brightness step : 30 steps
 Mount : 1/4" screw mount
 External Power : D-tap cable
 Color Temp. : 3000°K~5600°K ±200°K

| MODEL | Size | Weight (g) | Photometric (/1 m) | Consumption |
|--------|----------------|------------|--------------------|-------------|
| LS800 | 360 x 150 x 32 | 1610 | 3400 Lux | 120 W |
| LS1200 | 580 x 150 x 32 | 2260 | 5100 Lux | 180 W |
| LS1600 | 653 x 150 x 32 | 2950 | 6800 Lux | 240 W |

CONTENTS

LS800 / LS1200 / LS1600

Main Body / AC Adapter / Diffuser
 Yoke / Barn Door / Manual



Optional Accessories

ON-CAMERA LIGHT

| | | | | | |
|---|---|--|--|--|---|
|  BD01 L10C Barn Door |  LD-11 L10C Diffuser Panel |  FCB043 DC Plug with D-tap |  YCS048 L10C NPF Battery Mount |  YCS074 L10C Battery mount for Sony BPU30/60 battery |  YAS019 L10C Battery Mount Base for Battery Holders |
|  BH-LPE6 Canon LP-E6 Battery Holder |  BH-911 Canon BP-911 Battery Holder |  BH-ENEL15 Nikon EN-EL15 Battery Mount |  BH-D54SE Panasonic D54S Battery Mount |  LD21 LM200-VC Diffuser Panel |  YCS079 LM200 NPF Battery Mount |

LOCATION LIGHT

| | | | | | |
|--|--|--|--|---|---|
|  PA05 DC Plug with D-tap |  BD04 LM400 Barn Door |  DMX400 LM400 DMX Encoder |  BH-LM400V LM400 V Battery Mount |  BH-LM400G LM400 Gold Battery Mount |  QBG004 LM400 Bag |
|  LY-4x1 LM400 Yoke |  LD-4M LM400 Snap-in diffuser (Rail type) |  LD-4MS LM400 Snap-in Diffuser with Rails |  LD-8M LM800 Snap-in diffuser (Rail type) |  BD08M LM800 Barn Door |  BH-LM800V LM800 V Battery Mount |

STUDIO LIGHT

| | | | | | |
|--|--|--|---|---|---|
|  LD8S LS800 Diffuser Panel |  LD12S LS1200 Diffuser Panel |  LD16S LS1600 Diffuser Panel |  BD08S LS800 Barn Door |  BD12S LS1200 Barn Door |  BD16S LS1600 Barn Door |
|  LY-8S LS800 Yoke |  LY-12S LS1200 Yoke |  LY-16S LS1600 Yoke |  BH-LSV LS series V Battery Mount | | |

Reference Site

| | | | | | | | | |
|---|---|---|---|--|---|---|---|---|
|  |  |  |  |  |  |  |  | |
|  |  |  |  |  |  |  |  |  |