

Installation Guide

1 Unpacking

Unpack the items. Your package should include:

- One EX42395AT PoE switch
- Power input terminal block
- Wall and DIN-Rail mounting hardware brackets

If items are missing or damaged, notify your EtherWAN representative. Keep the carton and packing material.

More information available at:

<https://www.etherwan.com/us>

For warranty information, visit:

<https://www.etherwan.com/us/support/warranty-policy>



2 Equipment Needed

- Category 5e or better cable for RJ-45 ports
- 48VDC power supply with voltage adjustable up to 56VDC and power output to handle 120W PoE power budget.

3 Select a Location

- DIN-rail installations: Attach the bracket on the unit using the included screws and then mount on a DIN-rail.
- Wall installations: Attach the brackets on the unit using the included screws and then mount on a wall.

- Identify a power source within 6 feet (1.8 meters).
- Choose a dry area with ambient temperature between -40 and 75°C (-40 and 167°F).
- Keep away from heat sources, sunlight, warm air exhausts, hot-air vents, and heaters.
- Make sure there is adequate airflow.

4 Connect to the Ports

The EX42395AT has the following ports:

- 4 10/100/1000 Mbps PoE ports
- 1 100/1000 SFP slot shared with 1 10/100/1000 copper port (port 5)
- 1 dedicated 100/1000 SFP slot

10/100/1000BASE-T Ports

Ports 1 to 4 are gigabit copper ports that are compliant with IEEE 802.3af/at PoE protocol, with up to 30W power output per port.

1 Gbps Combo TX/SFP Ports

Port 5 is a combo port and have two physical interfaces. One interface is a 10/100/1000BASE-T port and the other interface is a 100/1000BASE SFP slot. These ports operate in “either or” fashion. Both cannot be used simultaneously.

SFP Slot

Port 6 is a 100/1000BASE SFP slot.

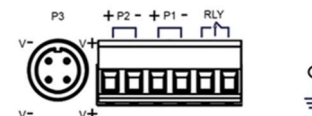
5 Connect Power

Terminal Block

Connect the unit to a suitable power supply using appropriate wire, 18-24 AWG, rated for 105°C or higher.

Redundant power is supported. However, only one power input is required to operate the unit.

1. Connect power wires to the appropriate P1+/- or P2+/- pins on the terminal block.
2. Connect the grounding wire to the ground screw.
3. Plug the terminal block into the socket.
4. Alternatively, connect power 3 to an external power adapter.



Relay Output Alarm

The switch provides relay output contacts for redundant power. The relay output can be connected to an alarm signaling device. The current capacity is 1A@24VDC.




- When dual power sources are connected, the circuit is open.
- When a single power source is connected the circuit is closed.
- The relay works with only power 1 and power 2. It is not connected to power 3.



EtherWAN

6 Front Panel LEDs

LED Panel Layout

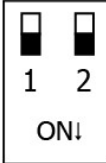
LED	Color	Status
Power 1 & 2	Green	ON = power detected OFF = power not detected
Power 3	Amber	ON = power detected OFF = power not detected
	Amber	ON = One power source connected OFF = Both power sources connected
PoE (1-4)	Amber	ON = PD is detected Off = No PD detected
Link/ACT 	Green	ON = Connection established Flashing = Port is sending or receiving data
SFP (F5-F6) 	Green	ON = Connection established Flashing = Port is sending or receiving data

7 Combo Port and SFP Speed

DIP Switch Settings

The DIP switches on the EX42395AT can be used to set which combo port will be used (T5 or F5) and the speed of the SFP port.

Warning: Make sure power is disconnected before adjusting the DIP switch

F5 1000M  1 2 ON! T5 100M	DIP 1	F5	Port F5 on (default)
		T5	Port T5 on
	DIP 2	1000M	SFP speed 1000M (default)
		100M	SFP speed 100M