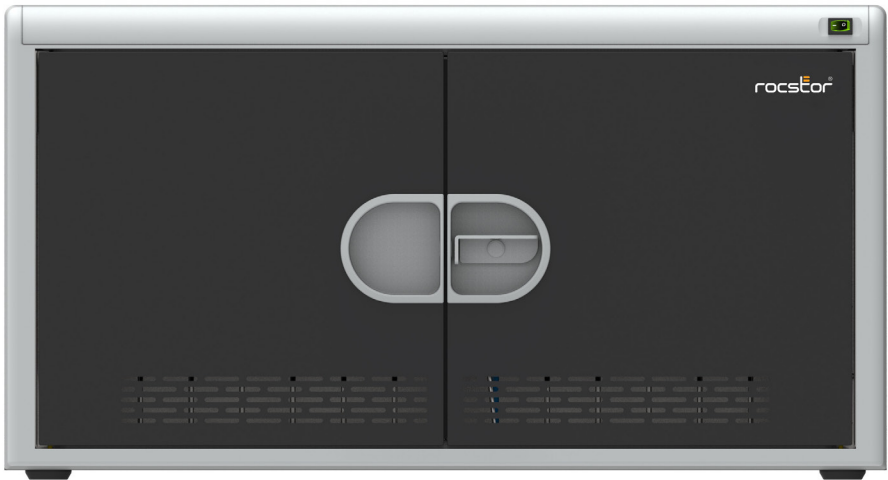


Rocstor® Volt® C14

User Manual



General Use

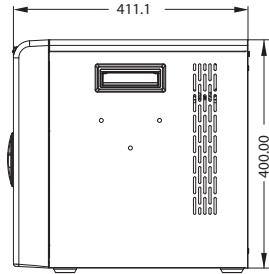
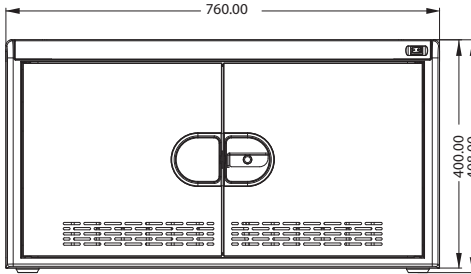
- The product is designed to allow you to easily store, secure, charge up to 14 devices per unit.

1. Product Specification	P.02
2. Introduction	P.03
Package Contents	P.03
Cabinet Dimension	P.03
Door Lock	P.04
LED Status	P.04
Interior View	P.04
3. SETUP	P.05
4. Optional Feature	P.06
5. Safety	P.07

1. Product Specification

■ Volt® C14

Cabinet Dimension



Product SPEC

Model Name	Volt® C14	Charging Type	Power receptacle
Capacity	14 tablet	LED indicator	Status LED (x1): Green on Power on and Charging
Support Device	Chromebook / Laptop / Tablet up to 14"	Divider Type	Metal Bar
Slot	380.5 x 33.8 x 274.3mm (14.9" x 13.3" x 10.7")	N.W. / G.W.	22.5 kgs / 27.43 kgs
Dim. with Packing	543 x 892 x 518mm (21.4" x 35.1" x 20.4")	Power Specification	AC:100-120V/220-240V, 50/60Hz, 10A

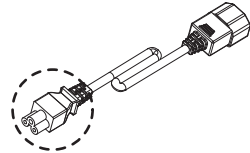
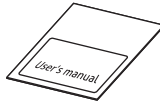
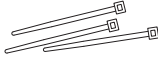
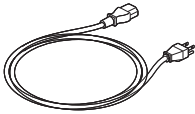
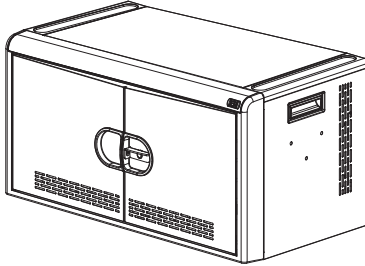
IMPORTANT USER NOTES

1. Product is for indoor use only
2. User can plug in 14 devices at one time for charging
3. Always TURN OFF the POWER before plugging in the devices and unplugging the cart
4. Do not plug the cart in if the switch or power cord has been damaged
5. Do not plug in power cord to another extension cord
6. Keep the door closed and/or lock and away from water when in use
7. Be sure to turn the power switch off and unplug cart before moving the cart to different location
8. This product is recommended to operate only by adult
9. Do not sit, stand and climb on the cart
10. Keep the ventilation hole unblock for air circulation
11. Ensure casters are locked before opening the cart door

2. Introduction

Package Contents

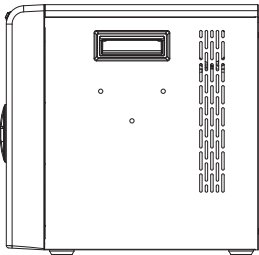
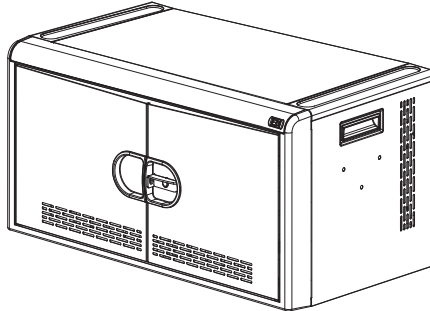
- Cabinet x 1
- User manual x 1
- Cable clips x 14
- Power cord x1



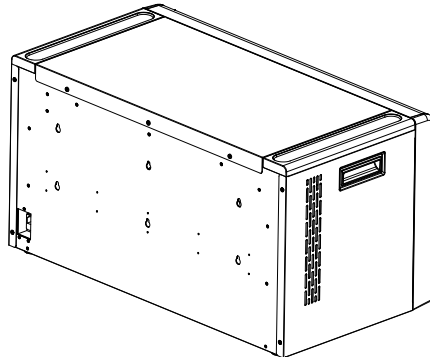
When applied for IEC type power socket;
power cable x 14 unit

Cabinet Diagram

(Front view)

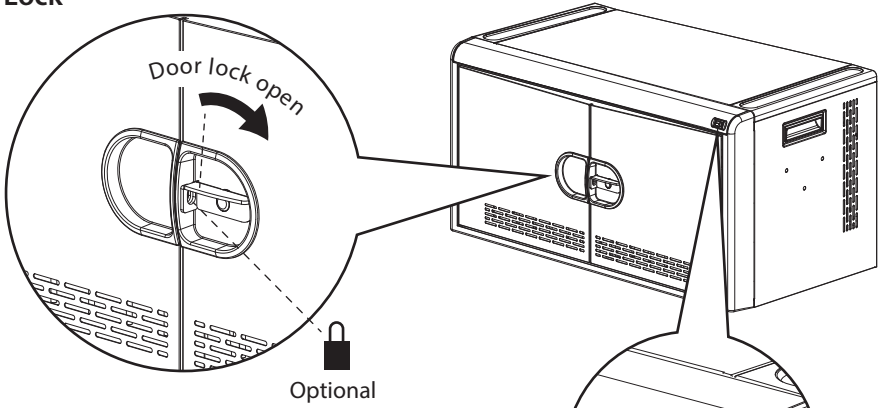


(Side View)



(Rear View)

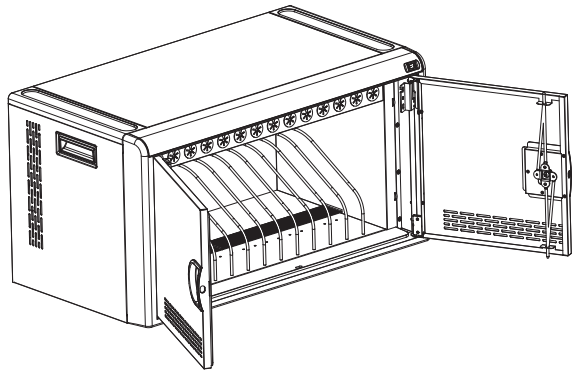
Door Lock



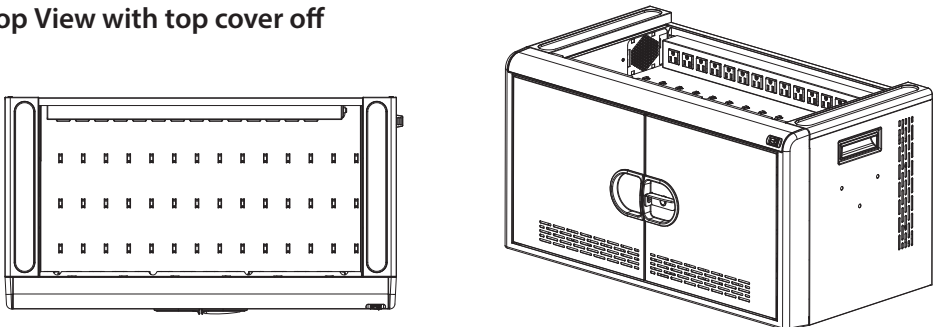
LED Status

LED	Description
Off:	Power off
ON: Green Light on	Devices are charging

Interior View

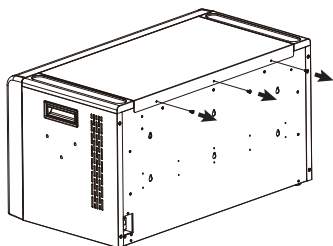


Top View with top cover off

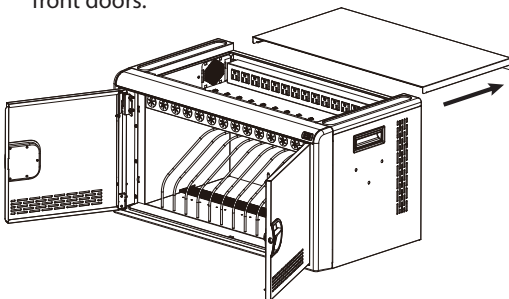


3. Setup

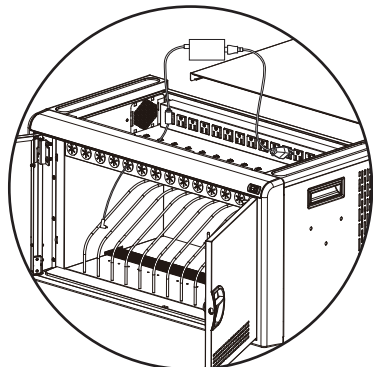
1. Remove the 3 screws.



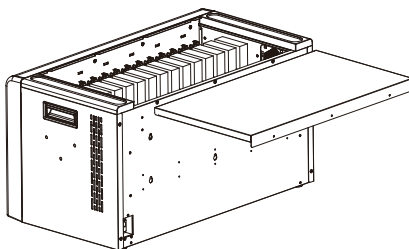
2. Slide the top cover of cabinet then open the front doors.



3. Insert the power plug of your device into the power strips located in the top compartment of the cabinet.

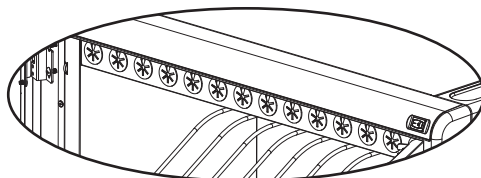
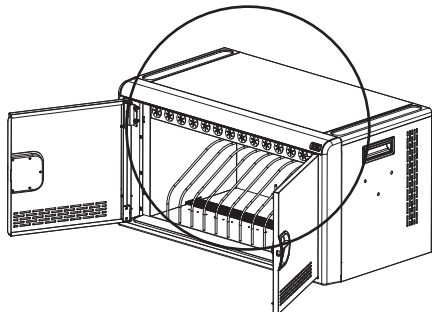


4. Store the AC Adapter brick from your device in the individual adapter holder located on the TOP side.



5-1. Pass the DC-end of the adapter to the front of the cabinet through the holes located at the top.

5-2. Adjust the length of the cables to provide enough slack to easily plug in to each device and use the cable hooks above to secure the cable in place.

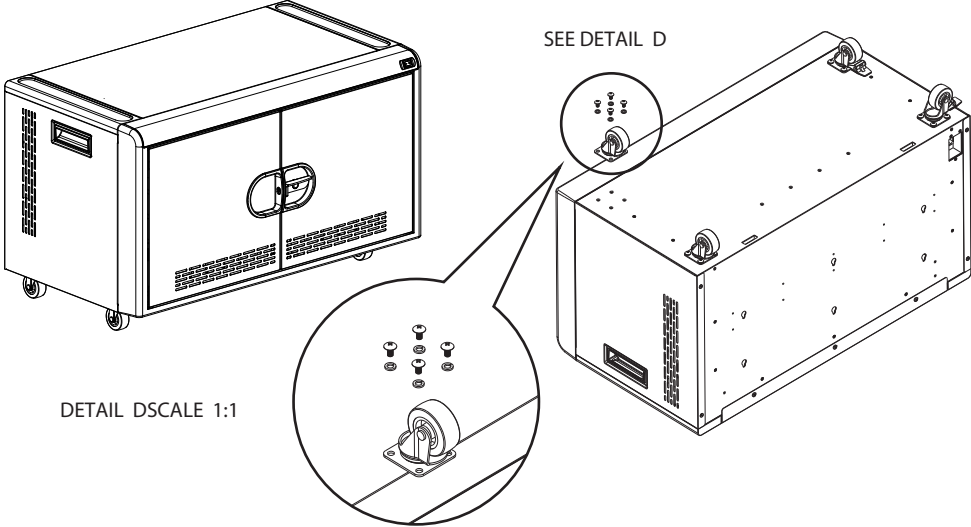


DETAIL CSCALE1:1

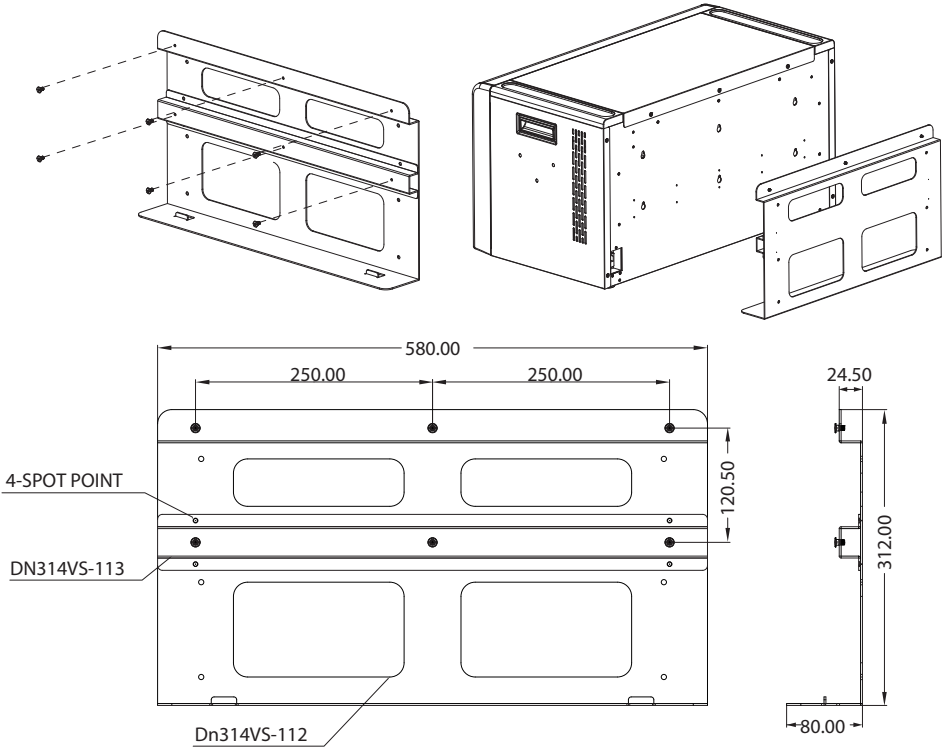
6. Once all of your devices and cables are properly in place, connect all of your devices and power on the cabinet to make sure all devices are receiving a charge.

4. Optional Feature


Optional casters on view



Wall-Mount Bracket view



- Attaching the wall-mount bracket:
Preparation: Screw (T., Half round, Stainless, T4 x L30mm), Anchor nut (1/4 " x L27mm, EM35114-70, PVC).
- Wall-mounting kit only applies on wood structure wall and concrete wall.
- Make sure there is enough space on the wall with the product door open. Drill the hole and drive the anchor nuts into the wall. Place the holding plate on the wall, and then tighten with M5 stainless screws. Position product over the wall bracket and then slide it downward to set it in place.

 One Wall_mount kit can only support one cabinet.

5. Safety

WARNING :

This product must only be used for its intended purpose in accordance with these operating instructions. Failure to observe the following notices can result in fire, injury, death by electric shock or equipment damage.



ELECTRIC SHOCK
Operate Carefully

- Always turn OFF the power to the product before plugging IN or OUT.
- Do not unplug the power cord from the outlet when your hands are wet.
- Do not use cables that are damaged.
- Do not unplug by pulling on the cable.
- Do not plug the cable into an extension cable.
- Keep the door closed and locked when in use.



- This product is designed to be used indoors only.
- This product is not designed to be operated by a child or student.
- Only Adult operation and supervision should move this product .
- Do not allow anyone to set, stand, or climb on the product .
- Move the product with caution.
- Keep the product away from water.
- Keep the ventilation holes unblock for air circulation.
- Do not place TV or monitor on top of the product .
- Do not use the product to store liquids or cleaning supplies.
- Keep the door closed and locked when in use.
- Disconnect the power cable from the wall before relocate the main unit.

rocstor®

UL US
LISTED
I.T.E.
E341990

FC CE

Rocstor

www.rocstor.com

