

LCD/LED/Plasma Wall Mount Manual



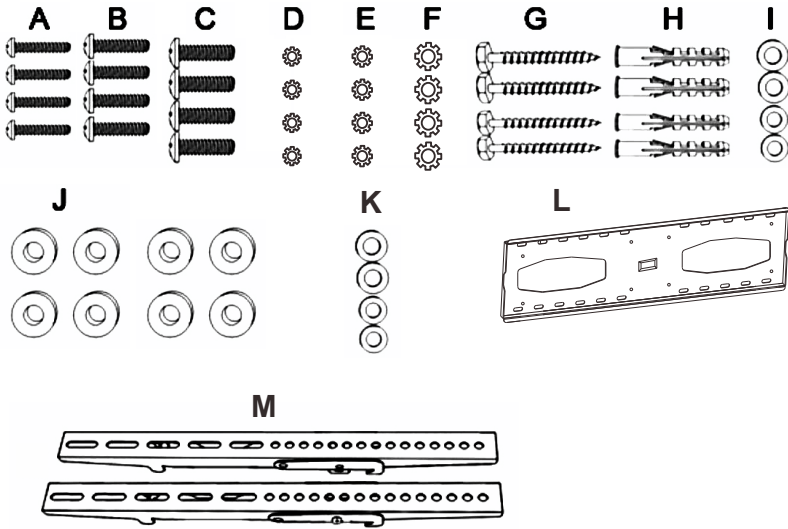
Product Overview:

Thank you for your purchase. All Mounts are designed to provide excellent function, high quality, easy installation and stylish appearance. The tilt mount features a universal design that allows you to mount virtually any LED/LCD/Plasma display up to 65" with hole patterns up to 26.9" horizontally by 15.75" vertically. The Mount is designed with a slim 1.8" profile in the flat position yet provides up to 15 degrees of downward tilt. The Mount is constructed with 5.1 LBS of 100% High Grade Steel providing a sturdy and reliable mount. The TV bracket arms and separable wall plate allow for easy installation. The wall plate will fit studs up to 25" apart including the typical 16" and 24" centered studs found in most US homes. Thank you again and enjoy your mount.

Key Features:

- Covers Hole Patterns 26.9" Horizontal by 15.75" Vertical
- Fits Up to VESA 600x400mm
- Flat 1.8" Profile
- 1.5" Wide Continuous Mounting Holes Along Top And Bottom Of Wall Plate
- Can Install To 16" And 24" Stud Construction
- 15° of Downward Tilt
- 5.1 LBS of High Grade Steel
- All Installation Hardware Included

Parts List:



Part	Quantity	Description
A	4	M5 12mm Bolt
B	4	M6 20mm Bolt
C	4	M8 25mm Bolt
D	4	5mm Lock Wash
E	4	6mm Lock Wash
F	4	8mm Lock Wash
G	4	8mm Lag Bolt
H	4	8mm Concrete Wall Anchors
I	4	8mm Washer
J	8	8x7mm Plastic Washer
K	4	8mm Plastic Washer
L	1	Wall Plate
M	2	TV Arm Brackets

Specifications:

Hole Pattern Coverage/ Supported VESA Patterns:	26.9" Horizontal by 15.75" Vertical or VESA 600x400mm
Unit Weight:	Net: 5.1 LBS Gross: 6.8 LBS
Shipping Dimensions:	29.5"x9.8"x1.8"
Unit Materials:	Arms, Wall Plate: 100% High Grade Steel
Tilt Range:	0-15° Downward
Wall Plate Screw Slots:	1.5" Wide by 0.5" Apart
Profile From Wall:	1.8"
Wall Plate Dimensions:	28.6"H x 9.5"V
Maximum Weight Limit:	165 LBS
Cable Management:	Two x 11.5x4.6" Openings

Installation Instructions:

Note: Please read all installation instructions carefully before installation. For standard wood stud installation please start at Section 1: Wood Stud Installation. For Concrete/Mortar installations please refer to Section 2: Concrete/Masonry Installation.

Section 1: Wood Stud Installation

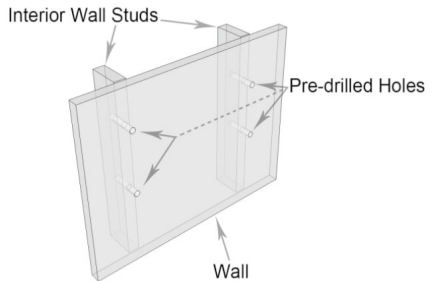
1. Locating a stud: First you will need to locate the stud in the wall you wish to mount your TV to. If you know how to locate your stud please continue to Step 2. If you do not know how to locate your stud please continue.

Finding a wooden stud in your home: One quick way to find a wall stud is to find a power outlet on the wall. Wall outlets are normally located next to a stud. The easiest way to confirm the location of a stud is with an electronic stud finder, which you can purchase at any hardware store. Once you find an initial stud, other wall studs are typically located in the wall every 16". Please note in some homes they are constructed with studs every 24". Additionally: Many walls have "non-standard" studs located next to doors, windows and fireplaces. To get the best support for your mount it is important that you put the mounting screws for your wall plate into the center of the wall stud. If it is difficult to determine the exact center of the stud with your stud finder, you can get the exact location of the stud using a thin nail and hammer. With the hammer, pound the thin nail into the wall in the area of the stud. If the nail is to the side of the stud it



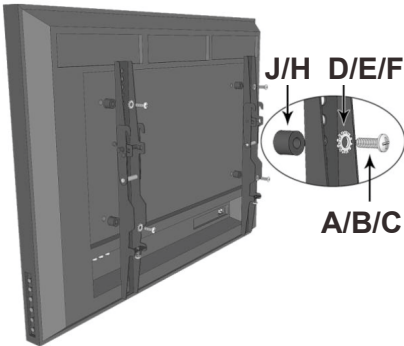
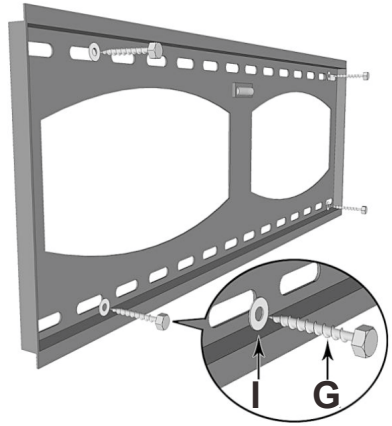
will go through the drywall and easily into the empty space in the wall. If the nail is on the stud, once it goes through the drywall, it will not go into the wall easily as it is hitting the wood of the stud. Keep repeating this process in the area of the stud until you can tell exactly where the stud starts and ends. The middle of these two points is the center of the stud.

2. Mark and Pre-Drill Installation Points: Once you have located your studs, use a 5mm drill bit to pre-drill four holes to a depth of 2". If you do not have a metric drill bit a 3/16" drill bit will work.



3. Attaching the mount to your wall: Once the four holes are pre-drilled affix the wall plate to the wall with all four lag bolts into the wall. The included plastic anchors DO NOT need to be used for wood stud installation.

Note on Locating hardware to mount arms to your display: If your display does not come with the mounting screws in the back of the display, check the desk stand as in some cases the same screws to hold the desk stand are used also to mount your display. If neither of these options work, the hardware pack included with your mount contains several of the most common sized screws for mounting your arm brackets to your display.



4. Installing arm brackets onto the back of your display: Once you locate the appropriate screws, attach the two arm brackets to the back of the display. To attach the arms use the proper bolt and lock washer for each of the four mounting holes. In the event your display has recessed holes or a curved back, your hardware pack includes plastic spacers to fill the gaps. These plastic spacers are not necessary for most installations.

5. Adjusting your tilt: To adjust the tilt position on your display you will need to loosen the knob on the side of each one of the arm brackets. Due to the narrow space between your display and the wall it is recommended to first adjust the tilt while you have the display face down on a soft surface such as a bed. Once the knobs are loosened adjust them to the desired position. After you have set the tilt position tighten the knobs on the arm brackets then proceed to Step 6.

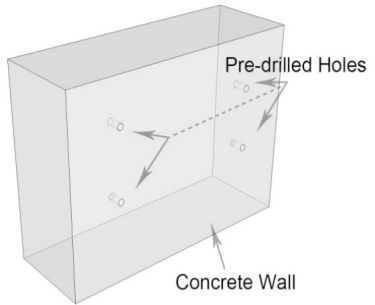
6. Attaching your display to the wall plate: This step may require two people, next you will attach your display to the mount. Take your display and lift it until the hooks set securely into the top lip of the mount.



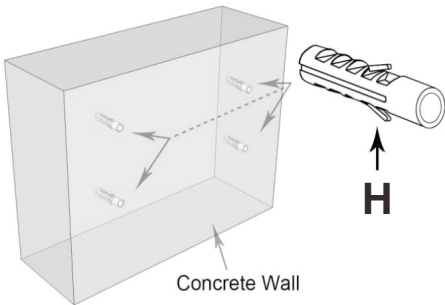
7. Tightening the safety screws: Using a Philips head screw driver tighten the two bolts located at the bottom of the arm brackets. These screws prevent accidental liftoff of the wall plate. This will complete your installation of your mount.

Section B: Concrete and Masonry Installation:

1. Mark Installation Points: Once you have selected the location you want the mount to be, mark the exact location of where the four anchors and lag bolts will be installed. Next, pre-drill the holes using a 12mm drill bit to a depth of 2" then insert the supplied four anchors. If you do not have a metric drill bit a 7/16" drill bit will work.



Drilling into Concrete: When drilling into concrete or masonry, you have to use a special masonry drill bit which you can purchase at your local hardware store. Using a standard drill bit will not penetrate the concrete and it will just dull your drill bit. It is not recommended to drill and mount into concrete block or mortar joints. If mounting into concrete or masonry we recommend using all four of the supplied plastic anchors and lag bolts for maximum support. The supplied plastic anchors are rated for use up to 165LBS, but if you prefer you can go to your local hardware store and purchase metal concrete anchors.



2. Attaching the mount to your wall: Once the holes are pre-drilled and all four plastic anchors are inserted, affix the wall plate with the four supplied lag bolts into the wall.

At this point you can proceed back to Step 4 in the wood stud installation section to complete your Concrete/Masonry installation.

ATTENTION:

This mount must be installed using the supplied hardware with all four lag bolts screwed into your studs. If you are mounting into concrete or mortar, all four anchors and screws must be used for maximum support. The Mounts cannot be held liable for damage to Walls, TV's, Furniture, or Fixtures after installing this item.

