

LCD/LED/Plasma Wall Mount Manual



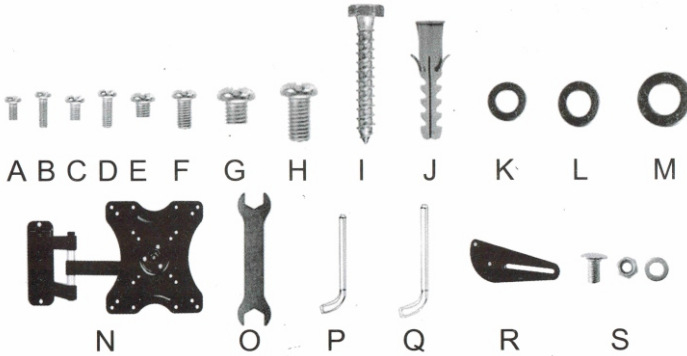
Product Overview:

The mount is an articulating tilt and swivel arm mount that collapses to a slim 2.5" yet extends a full 20" while offering 180° swivel and $\pm 15^\circ$ tilt. It also allows for 360° rotation adjustment for landscape and portrait viewing to ensure a level display. The mount supports VESA 75-400mm hole patterns. Most 23-55" LCD displays use a VESA (Video Electronic Standards Association) hole pattern in this range. The mount will fit most 23-37" TVs, some TVs larger up to 55" will need the extension brackets. For more information on what exact hole patterns this mount will fit and the corresponding size in inches, please see the Supported VESA patterns in the Specifications section. The arms and mounting brackets are constructed with 100% High Grade Steel for a sturdy and reliable mount. The mount comes with a complete hardware kit for mounting to the wall and to the back of your TV.

Key Features:

- Fits VESA Hole Patterns 75-400MM
- Flush 2.5" Profile When Folded Yet Extends to a full 20"
- 180° Swivel, $\pm 15^\circ$ Tilt
- 360° Rotation Adjustment
- Made from High Grade Steel
- Single Stud Installation
- Installation Hardware Included

Part List:



Part	Description	Quantity
A	M4 8mm Metric Screw	4
B	M4 12mm Metric Screw	4
C	M5 8mm Metric Screw	4
D	M5 12mm Metric Screw	4
E	M6 8mm Metric Screw	4
F	M6 12mm Metric Screw	4
G	M8 12mm Metric Screw	4
H	M8 16mm Metric Screw	4
I	6mm Lag Bolts	2
J	S8 Concrete Anchors	2
K	5mm Washer	4
L	6mm Washer	4
M	8mm Washer	6
N	Mount	1
O	Wrench Tool	1
P	5mm Allen Wrench	1
Q	6mm Allen Wrench	1
R	Extension Brackets	4
S	Extension Brackets Screw	8sets

Specifications:

Supported VESA Hole Patterns:	75x75mm (~3x3") 100x100mm (~4x4") 100x200mm (~4x8") 200x200mm (~8x8") 200x400mm (~8x15.75") 300x400mm (~11.8x15.75") 400x400mm (~15.75x15.75")
Unit Weight:	Net: 4.15 LBS Gross: 6.15 LBS
Shipping Dimensions:	13"x9.5"x2.8"
Unit Materials:	Arms, Wall Plate and TV Plate: 100% High Grade Steel
Tilt Range:	±15°
Swivel Range:	Up to 180°
Rotation Adjustment:	360°
Collapsed Depth:	2.5"
Maximum Extension:	20"
Wall Plate Dimensions:	8.2"H x 2.9"W

Installation Instructions:

Note: Please read all installation instructions carefully before installation. For standard wood stud installation please see Section A: Wood Stud Installation. For concrete and masonry installation, please see Section B: Concrete and Masonry Installation.

Section A: Wood Stud Installation

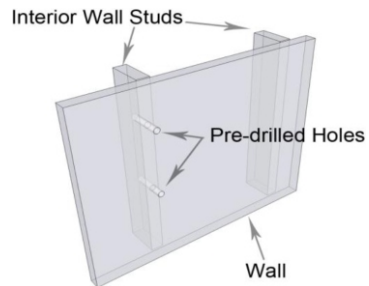
1. Locating a stud: First you will need to locate a stud in the wall. If you know how to locate a stud please continue to Step 2. If you would like help locating a stud, please see below.

Finding a wooden stud in your home: One quick way to find a wall stud is to find a power outlet on the wall. Power outlets are normally located next to a stud. The easiest way to confirm the location of a stud is with an electronic stud finder, which you can purchase at a hardware store. Once you find an initial stud, other wall studs are typically located in the wall every 16". Please note that some homes are constructed with studs every 24". Additionally, many walls have "non-standard" studs located next to doors, windows and fireplaces. To get the best support for your mount it is important that you put the mounting screws for your wall plate into the center of the wall stud. If it is difficult to determine the exact center of the stud with your stud finder, you can get the exact location of the stud using a thin nail and hammer. With the hammer, pound the thin nail into the wall in the area of the stud. If the nail is to the side of the stud it will go through the drywall and easily into the empty space in the wall. If the nail is on the stud, once it goes through the drywall, it will not go

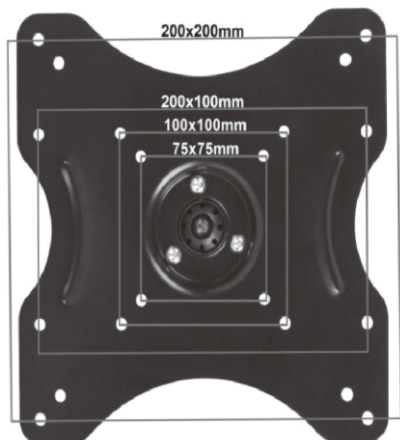
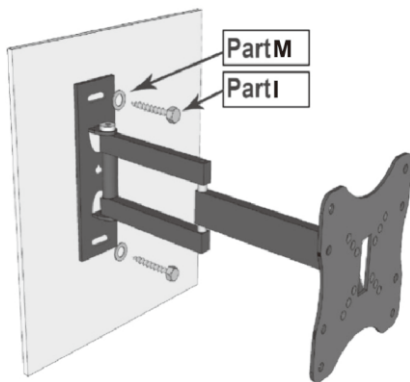


into the wall easily as it is hitting the wood of the stud. Keep repeating this process in the area of the stud until you can tell exactly where the stud starts and ends. The middle of these two points is the center of the stud.

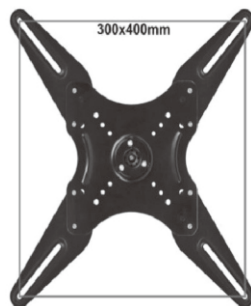
2. Mark and Pre-Drill Installation Points: Once you have located a stud, make the exact location for your two wall plate lag bolts. You can use the mount and hold it on the way while you mark the hole locations. Then use a 5mm drill bit to pre-drill these holes to a depth of 2". If you do not have a metric drill bit, a 3/16" drill bit will work.



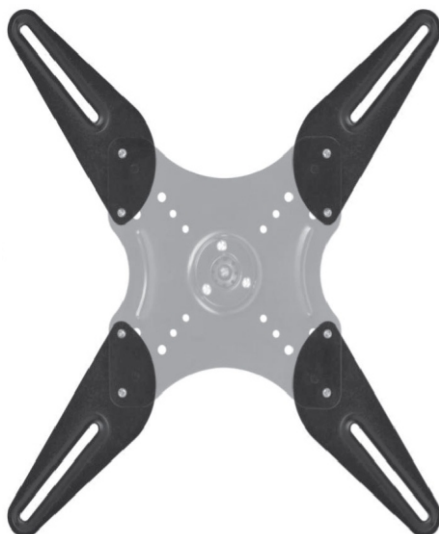
3. Attaching the mount to your wall: Once the two holes are pre-drilled, affix the wall plate to the wall with the two lag bolts as shown. The included plastic anchors DO NOT need to be used for wood stud installation. Do not over tighten the lag bolts. If you are having difficulty tightening the lags bolts, you may need to enlarge to holes slightly bigger.



Determining the correct hole pattern to use: The mount fits different VESA standard hole patterns located behind the TV. Some of the typical VESA patterns are shown below. Use the hole pattern which corresponds to the mounting holes on the back of your TV. The mounting holes will be centered on the back of your TV in a square or rectangular pattern. They may be flush or recessed and they may be covered with plastic caps.



5. Optional Extension Brackets: The extension brackets may be used if your TV require a larger VESA hole pattern greater than 200x200mm. To assemble the optional extension brackets to the mount. Remove the installed screw and nut from each extension bracket. The brackets must be assembled with the indentions facing outward toward the TV and the brackets installed behind the TV mounting plate. Two of the brackets are made for the left side and the other two for right side as shown. Install the screws and nut when you have determined the VESA hole pattern position.



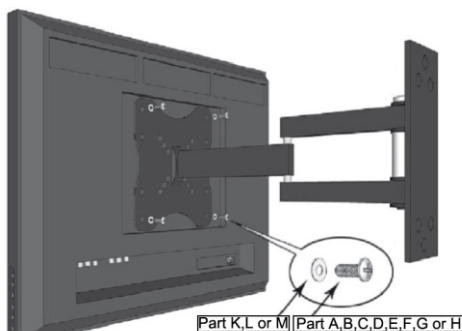
6. Locate display mounting hardware:

Today, the vast majority of displays ship from the manufacturer with screws already in the wall mounting holes. In

this case, all you have to do is use the screws provided. If your display does not already have screws in the mounting holes, sometimes the same screws which are used for the TV pedestal can be used for wall mounting. In this case, when you remove the desk stand from your display simply use these screws to attach the TV plate to the back of your display. If the screws provided with your TV will work please proceed to Step 6. If not, please read below.

7. Attaching your TV: Attaching your TV to the mount may require with two people. One person to hold the TV flush against the TV mounting plate while the other person inserts the proper screws through the TV mounting plate and into the back of the display. Do not over tighten.

Display Hardware: If your display does not come with any screws, or the screws in your TV pedestal will not work, your hardware bag includes screws of the three most common sizes for 23-55" displays - M4, M5 and M6. These are metric screws in 4, 5 and 6mm diameters. Most likely one of these screw sets will fit your TV. If not, you need to get mounting screws from your local hardware store. The best way to determine the required screws sizes is to refer to the TV manual or go to the website



of the TV manufacturer. If you cannot find the type of screw you need, you will need to carefully measure the width and depth of the mounting holes on the back of your display. A toothpick is a simple but effective way to accurately measure the depth. You want to get a screw which is as long as the depth of the mounting hole plus the thickness of the display plate and washer which add approximately 4mm. The screw also needs to be the exact width of the mounting hole. It is hard to measure the width of the hole exactly because of the threading so to prevent additional trips to the hardware store, we recommend

when you buy screws to buy the size you measured plus one size larger and one size smaller. Additionally, for most TVs the necessary screw is **Metric**. You cannot tell by measuring the hole if the threading is metric or standard so when you buy screws it is best to buy both. Once you have your screws, match them to the appropriately sizes washers.

Adjusting Your Display: Once your display is mounted you can make adjustments of the tilt, sag, twist, and ease of motion. The **MOUNT** allows for adjustment of each of these.

Tilt Adjustment: To adjust the angle of tilt, there is a bolt in the center of the TV plate. Around this ball head are 3 Allen head screws. These screws can be slightly loosened if needed, then the TV tilt can be adjusted by pushing or pulling on the top and bottom of the TV Bezel.

Sag Adjustment: If you are experiencing sag you can tighten the bolts in the arm joints using an allen wrenches. If you tighten these joints too much it can make it more difficult to extend and collapse the arm. If after tightening the bolts you are still experiencing sag, you can insert a spacer between the bottom of the wall plate and the wall. To do so, you would need to first partially unscrew the bottom lag bolt of the wall plate and then insert a spacer between the wall plate and the wall. This angles the wall plate upward and offsets the sag. The front mount plate may droop if the central ball head screws are not tightened adequately.

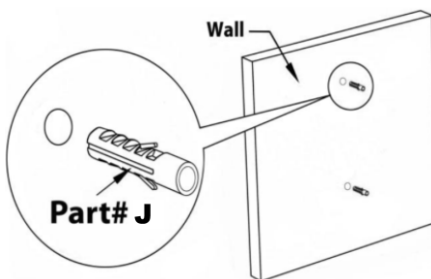
Rotation Adjustment: if, once installed, your display is not level, these is rotation adjustment built in to your TV plate. To adjust the rotation, loosen the same allen screws that controls the tilt. Once loosened, the TV plate will rotate in any direction needed.

Ease of Motion: If your mount is difficult to collapse and extend from the wall, you can use an allen wrench to loosen the bolts in the joints of the arm. If you loosen the joints too much it may cause your mount to sag.

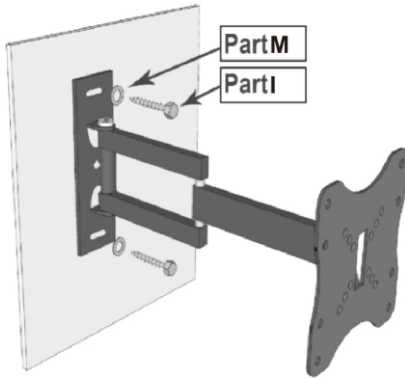
Section B: Concrete and Masonry Installation:

1. Mark Installation Points: Once you have selected the location for your mount, mark the exact location of where the two anchors and lag bolts will be installed.

2. Pre-Drill Installation Points: Pre-drill the holes using a masonry 10mm drill bit to a depth of 2" then insert the supplied two anchors. See Figure to the right. If you do not have a metric drill bit a 3/8" drill bit will work.



Drilling into Concrete: When drilling into concrete or masonry, you have to use a special masonry drill bit. Using a standard drill bit will not penetrate the concrete and it will just dull your drill bit. If you do not have a masonry drill bit, you can purchase one at the local hardware store. It is not recommended to drill and



mount into concrete block or mortar joints. The supplied plastic anchors are rated for use up to 165LBS, but if you prefer, you can go to your local hardware store and purchase metal concrete anchors.

3. Attaching the mount to your wall: Once the holes are pre-drilled and both plastic anchors are inserted, fix the wall plate with the two supplied lag bolts into the wall. See Figure to the left.

At this point please continue with Step 4 in the wood stud installation section as the rest of the steps apply to both.

ATTENTION: This mount must be installed using the supplied hardware with at least the two lag bolts screwed into a stud for wood stud installation or two anchors and screws for masonry installation. Guarantees the performance and functionality of the mount only under the conditions it is designed for. Damage to the wall, TV, furniture, fixtures or persons during installations or after installation is covered by any explicit or implied warranty.

Revision Date: 04/12/2016