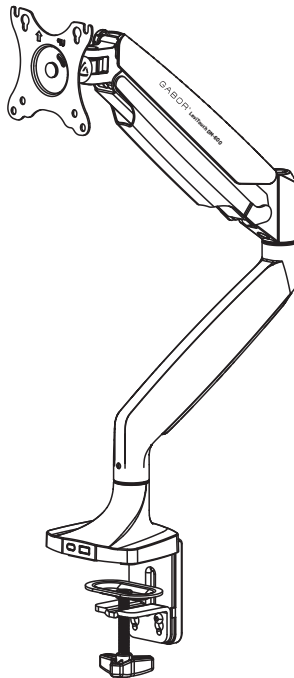




DM-600 / LEVITOUCH SINGLE-ARM MONITOR MOUNT

for 17-45 in. Desktop Computer Monitors



User Manual

Thank you for choosing Gabor.

The Gabor Levitouch Single-Arm Monitor Mount is designed to hold a 17 to 45 in. flat or curved monitor and offers multiple adjustments for the perfect viewing angle. Mount onto a desk or tabletop with the clamp or grommet attachments and preserve desk space while you're gaming, editing video, or watching a movie. The articulating arm has adjustable gas-spring tension ensuring stability when changing the monitor's height, tilt, and orientation.

Safety Warnings

- Please read and follow the instructions, and keep this manual in a safe place.
- When installing this product, be sure to refer to the mounting instructions detailed in this manual; failure to follow the mounting instructions may void the product warranty.
- Do not use this product for uses other than what it is intended for; the exact specifications, size parameters, and weight limits are found both on the product box and in the instruction manual.
- Clean this product with only a soft, dry cloth.
- Make sure this product is intact and there are no missing parts.
- Gabor takes no responsibility for any product damage or personal injury resulting from mishandling, incorrect mounting, faulty assembly, or improper use of this product.
- Mounting surfaces should be sturdy and flat. Do not install this product on a weak, uneven surface.
- Do not mount the device on structures that may be affected by vibrations or noticeable impacts; do not install near a heater, fireplace, or any other source of direct heat energy.
- This product may contain small parts which can pose a choking hazard; keep out of reach of children and pets.
- If you have safety concerns about installing this product, contact a qualified professional or installation contractor.
- If this product is missing hardware or there are defective parts, visit www.madebygabor.com or call Customer Service at 212-594-2353.
- All images are for illustrative purposes only.

Product Specifications

Monitor Display Size

17 to 45 in. (43.2 to 114.3 cm)

Maximum Load

Flat: 2.2 to 35.2 lb. (1 to 16 kg)

Curved: 2.2 to 28.6 lb. (1 to 13 kg)

Base Arm Swivel

$\pm 180^\circ$ / $\pm 90^\circ$

Monitor Tilt/Pivot/Rotation

$\pm 90^\circ$ / $\pm 90^\circ$ / $\pm 180^\circ$

Monitor Arm Swivel

$\pm 180^\circ$

Arm Height Adjustment

8.5 to 19.9 in. (21.5 to 50.5 cm)

Maximum Reach

21.1 in. (53.6 cm)

Maximum Desktop Thickness

Clamp: 3.1 in. (80 mm)

Grommet: 1.6 in. (40 mm)

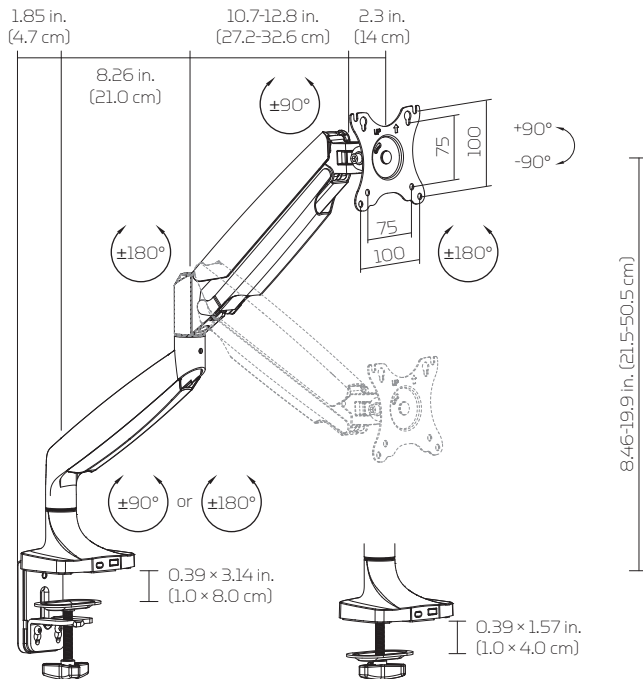
VESA Standards

75x75

100x100

Weight (without monitor)

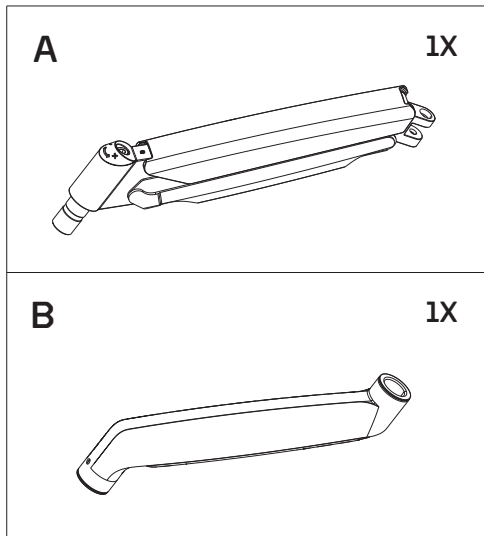
7.4 lb. (3.4 kg)



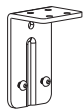

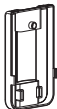


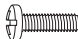






Overview

Required Tools

Phillips screwdriver

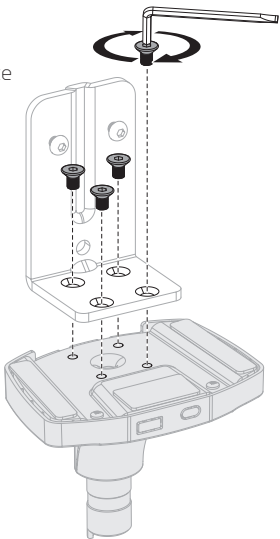


| | | | | | |
|--|--|---|--|--|---|
| C 1X  | D 1X  | E 1X  | F 1X  | G 1X  | H 4X  M6 × 10 |
| I 1X  M8 × 30 | J 4X  M4 × 12 | K 4X  D5 | L 1X  4 × 70 mm | M 1X  5 × 80 mm | N 1X  6 × 120 mm |

Clamp Installation

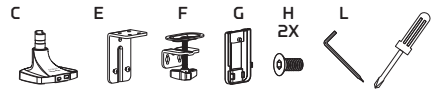
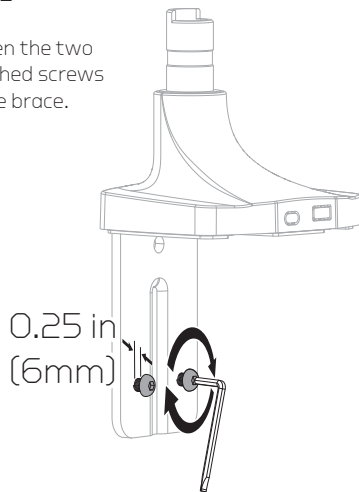
Step 1

Attach the brace to the base.



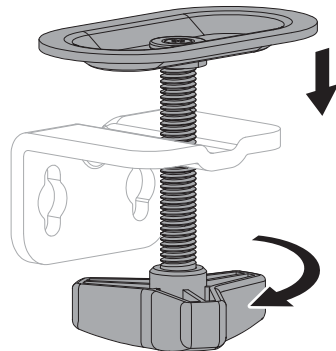
Step 2

Loosen the two attached screws on the brace.



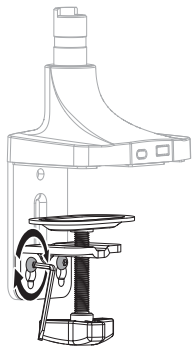
Step 3

Loosen the clamp.

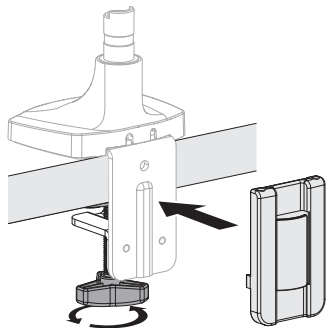


Clamp Installation (cont)

To secure the clamp to a surface 0.4 to 1.8 in. (10 to 45 mm) thick, follow these steps.

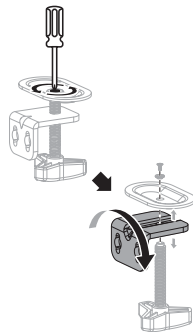


Attach the clamp adapter to the brace and tighten the screws.



Important! Make sure the back edge of the clamp is flush against the mounting surface. Attach the cable management adapter.

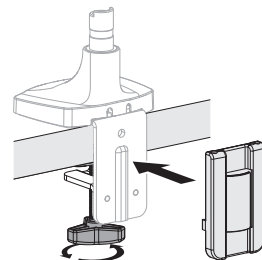
To secure the clamp to a surface 1.8 to 3.15 in. thick, (45 to 80 mm) follow these steps.



Flip the clamp adapter by removing the clamp plate as shown above.



Attach the clamp adapter to the brace and tighten the screws.



Important! Make sure the back edge of the clamp is flush against the mounting surface. Attach the cable management adapter.

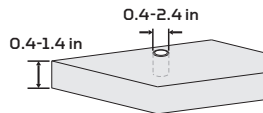
Grommet Installation

Important! Predrilled holes should be between 0.4 and 2.4 in. (10 and 60 mm) wide.

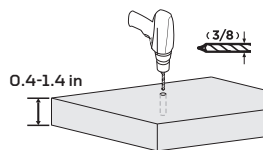
Step 1

Attach the grommet to a surface up to 1.6 in. (40 mm) thick.

With Existing Through-Hole

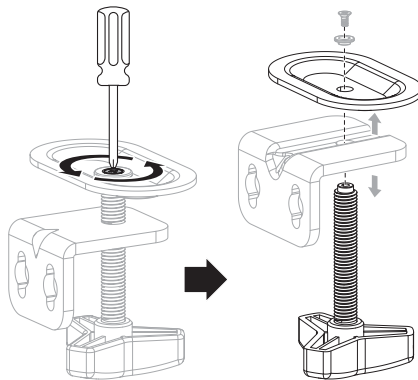


OR



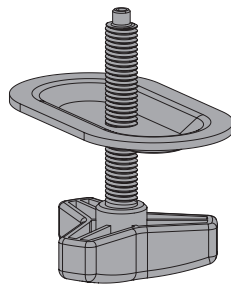
Step 2

Unthread the clamp knob from the adapter.



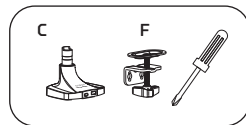
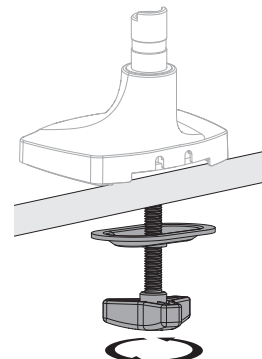
Step 3

Thread the clamp knob through the clamp plate.



Step 4

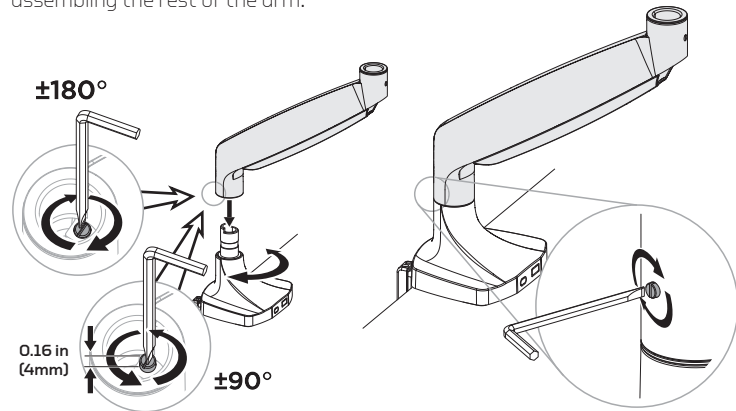
Thread the clamp knob through the surface's hole and into the base.



Arm Installation

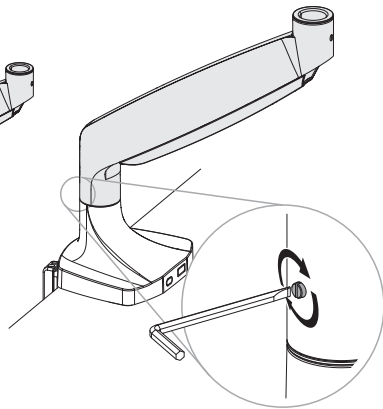
Step 1

The arm rotates $\pm 180^\circ$ (default) or $\pm 90^\circ$. Set the rotation degrees before assembling the rest of the arm.



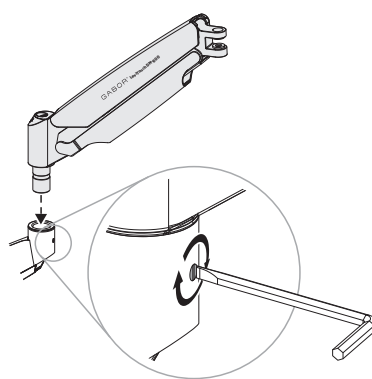
Step 2

Tighten the arm's setscrew to secure it to the base.



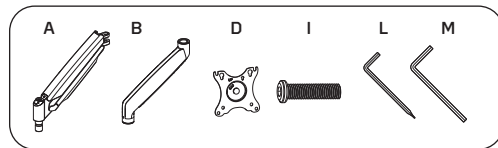
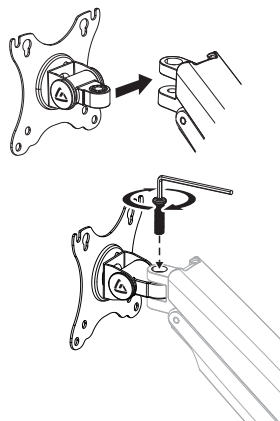
Step 3

Seat the top arm in the bottom arm, and tighten the top arm's setscrew.

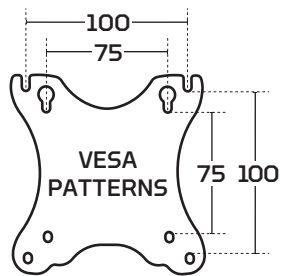


Step 4

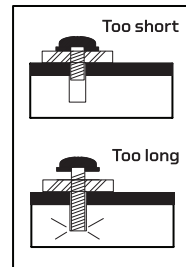
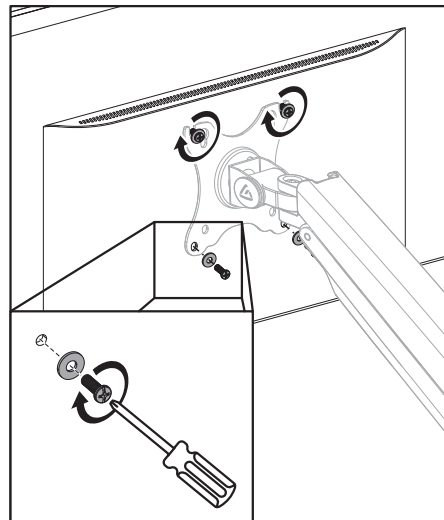
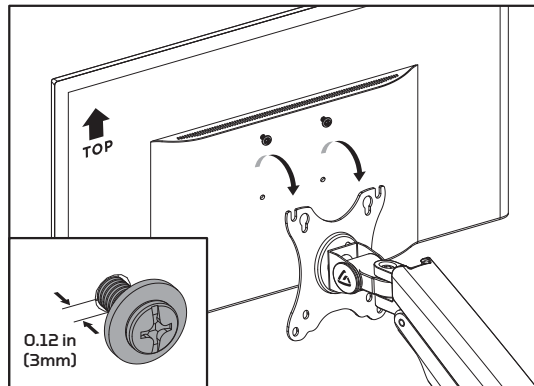
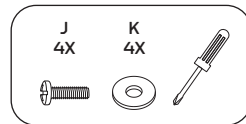
Attach the monitor mount to the upper arm.



Attaching a Monitor to the VESA Plate



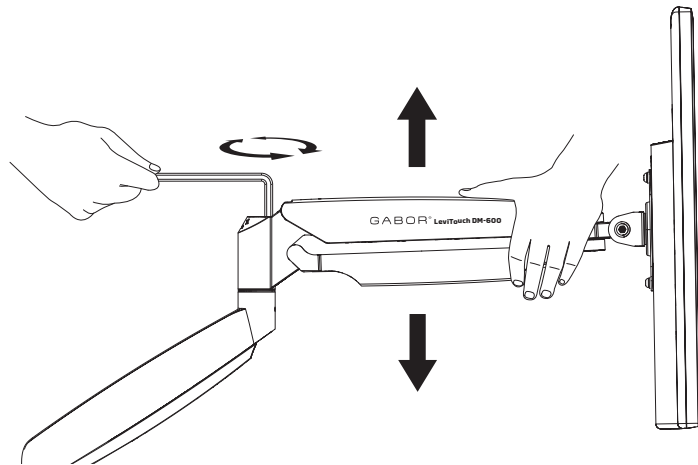
Important! For large and heavy monitors, it's recommended that two people hang the monitor.



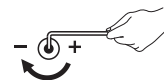
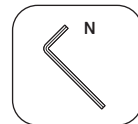
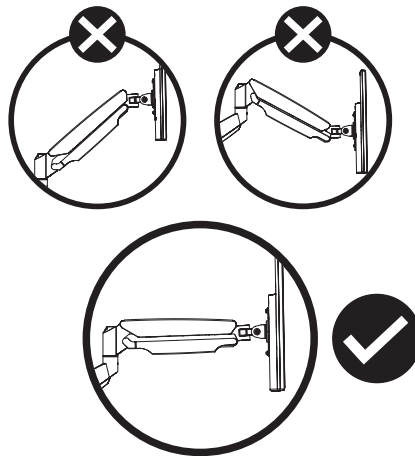
Balancing the Arm

When the arm is adjusted to the ideal tension, it will hold the monitor in position indefinitely.

Support the monitor with one hand and position the arm and monitor so the arm is horizontal.

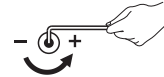


Important! To avoid damage to the monitors or mount, always keep the arm in a horizontal position while making adjustments, and do not overtighten the screws.



If the arm rises, turn the adjustment screw clockwise until the arm stays in a horizontal position.

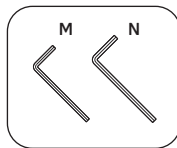
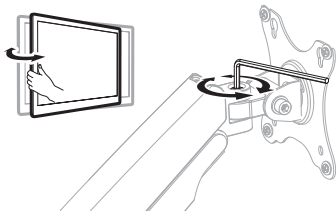
If the arm drops, turn the adjustment screw counterclockwise until the arm stays in a horizontal position.



Adjusting the Monitor Orientation

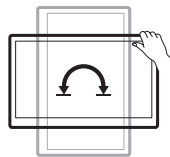
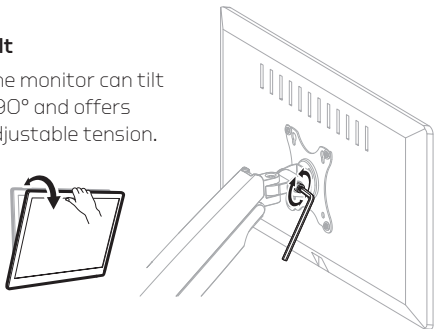
Pivot

There are three pivots which provide $\pm 90^\circ$ of rotation and offer adjustable tension.



Tilt

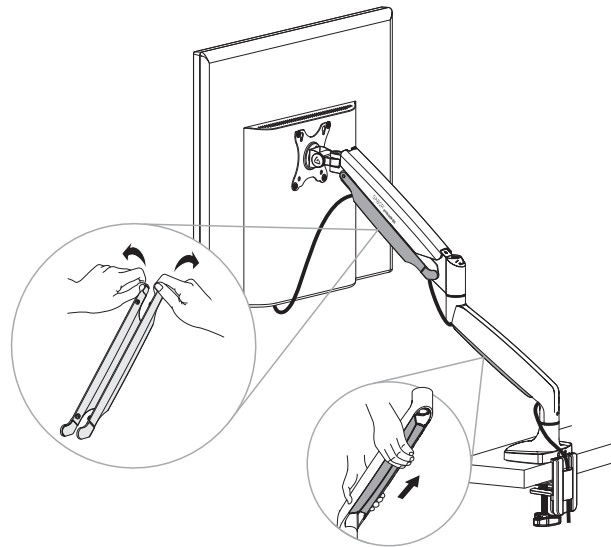
The monitor can tilt $\pm 90^\circ$ and offers adjustable tension.



Rotation

The monitor can rotate $\pm 90^\circ$ for horizontal and vertical orientation.

Cable Organization



Run the monitor cables through the upper, lower, and rear cable guides for a clean and uncluttered desk.

One-Year Limited Warranty

This Gabor product is warranted to the original purchaser to be free from defects in materials and workmanship under normal consumer use for a period of one (1) year from the original purchase date or thirty (30) days after replacement, whichever occurs later. The warranty provider's responsibility with respect to this limited warranty shall be limited solely to repair or replacement, at the provider's discretion, of any product that fails during normal use of this product in its intended manner and in its intended environment. Inoperability of the product or part(s) shall be determined by the warranty provider. If the product has been discontinued, the warranty provider reserves the right to replace it with a model of equivalent quality and function.

This warranty does not cover damage or defect caused by misuse, neglect, accident, alteration, abuse, improper installation or maintenance. EXCEPT AS PROVIDED HEREIN, THE WARRANTY PROVIDER MAKES NEITHER ANY EXPRESS WARRANTIES NOR ANY IMPLIED WARRANTIES, INCLUDING BUT NOT LIMITED TO ANY IMPLIED WARRANTY OF MERCHANTABILITY OR FITNESS FOR A PARTICULAR PURPOSE. This warranty provides you with specific legal rights, and you may also have additional rights that vary from state to state.

To obtain warranty coverage, contact the Gabor Customer Service Department to obtain a return merchandise authorization ("RMA") number, and return the defective product to Gabor along with the RMA number and proof of purchase. Shipment of the defective product is at the purchaser's own risk and expense.

For more information or to arrange service, visit www.madebygabor.com or call Customer Service at 212-594-2353.

Product warranty provided by the Gradus Group.

www.gradusgroup.com

Gabor is a registered trademark of the Gradus Group. © 2024 Gradus Group LLC. All Rights Reserved.

