



# MXP-3

## Microflex<sup>®</sup> Wall Mount Passive Loudspeaker

Shure MXP-3 passive wall mount loudspeaker manual. Find how to install, specifications, and troubleshooting  
Version: 0.1 (2025-A)

# Table of Contents

<b>MXP-3 Microflex® Wall Mount Passive Loudspeaker</b>	<b>3</b>	<b>Specifications</b>	<b>9</b>
<b>MXP-3 General Description</b>	<b>3</b>	<b>Troubleshoot Shure MXP Loudspeakers</b>	<b>10</b>
<b>Important Safety Instructions</b>	<b>3</b>	<b>Additional Resources</b>	<b>11</b>
<b>MXP-3 Parts</b>	<b>4</b>	<b>Important Product Regulatory Information</b>	<b>11</b>
<b>Install the Loudspeaker</b>	<b>5</b>	<b>Environmental Regulatory Information</b>	<b>11</b>
Pole Mounting on the Ceiling	9	<b>Certification and Compliance Markings</b>	<b>12</b>
Connect the Loudspeaker to an Amp	9		

---

# MXP-3 Microflex® Wall Mount Passive Loudspeaker

---

## MXP-3 General Description

The MXP-3 is a wall mount passive loudspeaker for speech and program audio reproduction in meeting rooms. With its unique design and small footprint, it can be mounted horizontally or vertically with included mounting hardware, making it ideal for use in contemporary meeting spaces.

The MXP-3 utilizes an innovative Balanced Mode Radiator (BMR) driver with 2 passive radiators to deliver full-fidelity premium audio reproduction.

When used with the MXN-AMP PoE-powered multichannel amplifier, up to 4 MXP-3 loudspeakers can be used. The MXN-AMP provides optimized presets for all MXP loudspeaker models as well as user-configurable EQ for each speaker output. Shure audio encryption keeps audio content protected between the MXN-AMP amplifier and other Shure Microflex Ecosystem devices in the room.

The MXP-3 is available in black or white finishes and is paintable to match room decor.

---

## Important Safety Instructions

**CAUTION: WHEN INSTALLING THIS PRODUCT INTO A CEILING OR BUILDING STRUCTURE, ALWAYS USE PROPER SUSPENSION AND RIGGING PRACTICES IN ACCORDANCE WITH YOUR AREA'S BUILDING CODES AND REGULATIONS.**

**FAILURE TO DO SO COULD RESULT IN PERSONAL INJURY, PROPERTY DAMAGE, OR BOTH.**

1. READ these instructions.
2. KEEP these instructions.
3. HEED all warnings.
4. FOLLOW all instructions.
5. DO NOT use this apparatus near water.
6. CLEAN ONLY with dry cloth.
7. DO NOT block any ventilation openings. Allow sufficient distances for adequate ventilation and install in accordance with the manufacturer's instructions.
8. DO NOT install near any heat sources such as open flames, radiators, heat registers, stoves, or other apparatus (including amplifiers) that produce heat. Do not place any open flame sources on the product.
9. USE only with a cart, stand, tripod, bracket, or table specified by the manufacturer, or sold with the apparatus. When a cart is used, use caution when moving the cart/apparatus combination to avoid injury from tip-over.



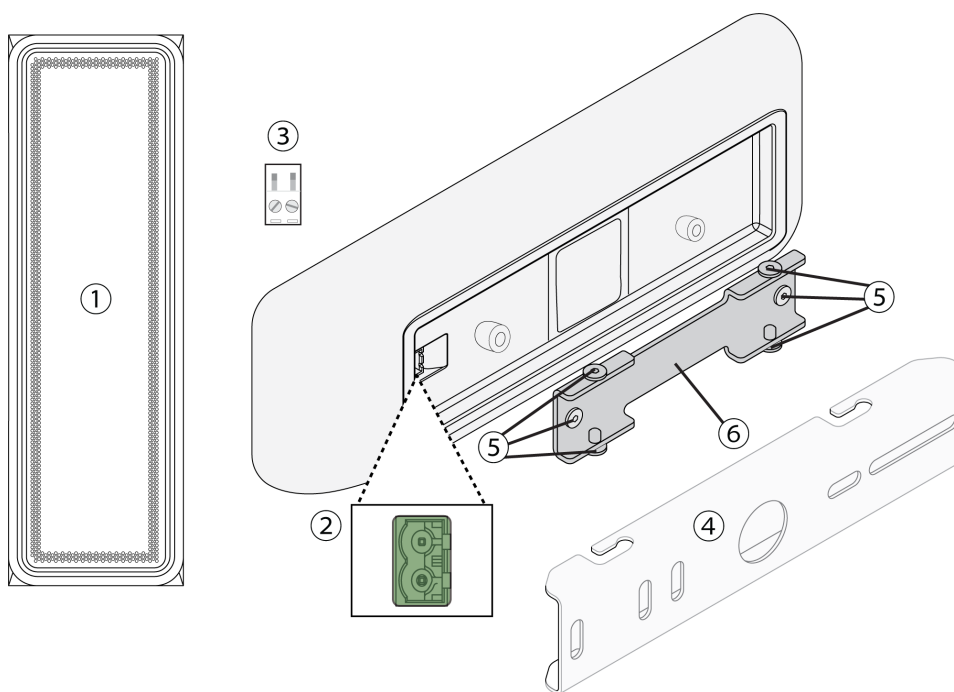
10. DO NOT expose the apparatus to dripping and splashing. DO NOT put objects filled with liquids, such as vases, on the apparatus.

11. To reduce the risk of fire or electric shock, do not expose this apparatus to rain or moisture.
12. Do not attempt to modify this product. Doing so could result in personal injury and/or product failure.
13. Operate this product within its specified operating temperature range.
14. Follow local regulations and consult qualified personnel if the product installation or relocation requires construction work. Choose mounting hardware and an installation location that can support the weight of the product. Avoid locations subject to constant vibration. Use the required tools to install the product properly. Inspect the product periodically.

**WARNING:**

- Voltages in this equipment are hazardous to life. No user-serviceable parts inside. Refer all servicing to qualified service personnel. The safety certifications do not apply when the operating voltage is changed from the factory setting.
- If water or other foreign objects enter the inside of the device, fire or electric shock may result.

## MXP-3 Parts



1. Loudspeaker
2. Block connector port
3. Block connector
4. Wall mount bracket
5. Mounting screws
6. Loudspeaker bracket

## What's in the Box

- Loudspeaker
- Loudspeaker bracket with mounting screws
- Wall mount bracket with screws
- 1 2-pin block connector

# Install the Loudspeaker

You can install the wall mount bracket over a junction box or at any other cable exit on the wall. This example mounts the loudspeaker horizontally over an American junction box.

**Note:** You can install the loudspeaker horizontally or vertically.

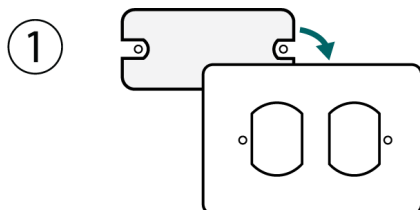
To get started, you will need:

- Screwdriver\*
- Pencil\*
- Drill\*
- Screws to hold the bracket to the wall\*
- Loudspeaker wire\*

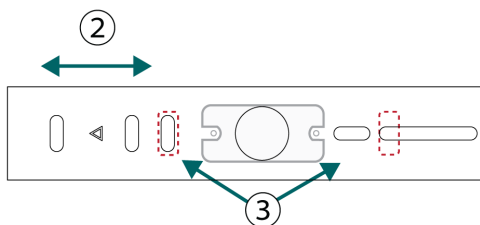
\*Not included

## 1. Install the Wall Mount Bracket

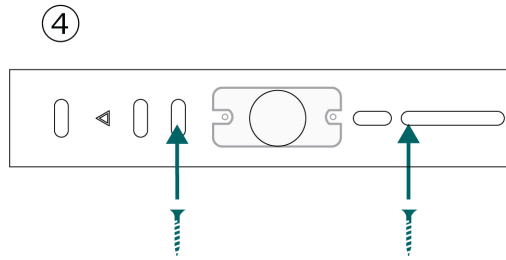
1. If you're mounting over a junction box, remove the existing cover plate.



2. Position the wall mount bracket or drilling template. Find openings in the bracket that suit your installation. If you are mounting the wall bracket vertically, the triangle should point upwards.
3. With a pencil, mark the wall where you want the screws.



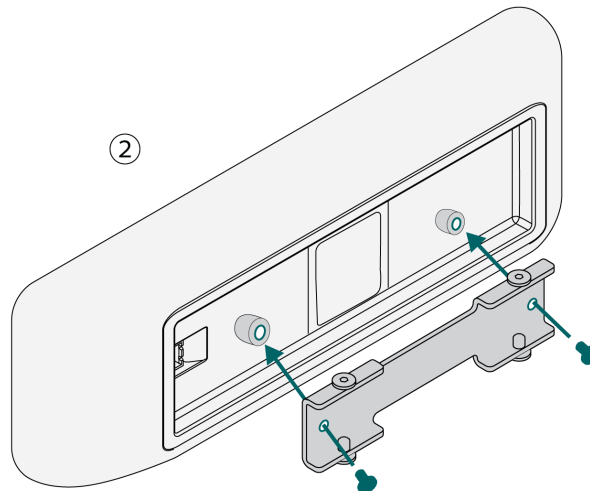
4. Place the bracket on the wall and install the screws to secure it.



## 2. Assemble the Loudspeaker

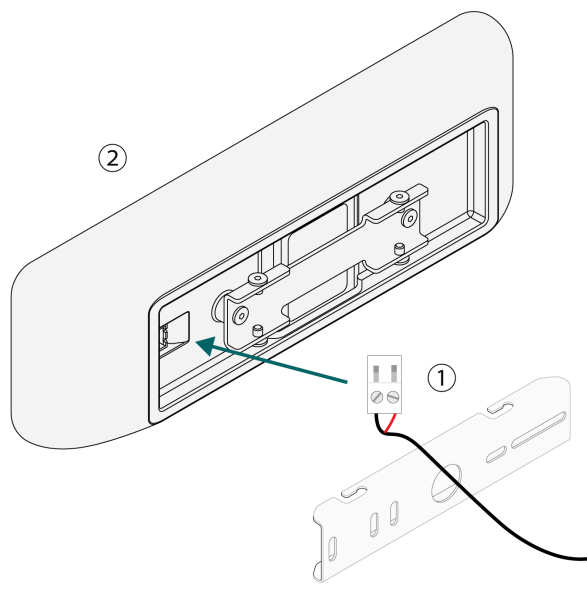
**Note:** If you're painting the loudspeaker, remove the grille before painting.

1. Add mounting screws to the loudspeaker bracket.
2. Attach the loudspeaker bracket to the loudspeaker. Tighten the middle mounting screws and partially tighten the top and bottom mounting screws.

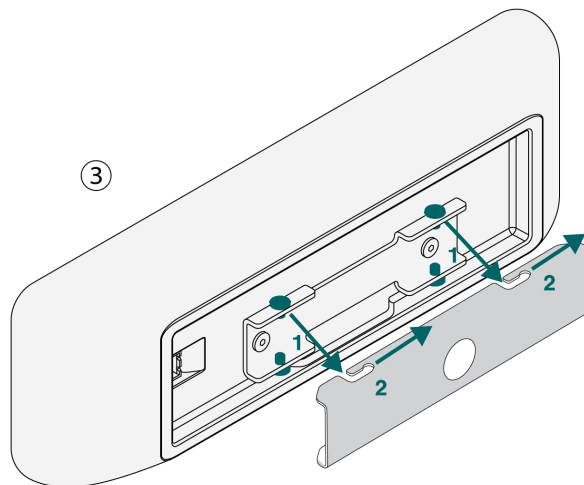


## 3. Install the Loudspeaker

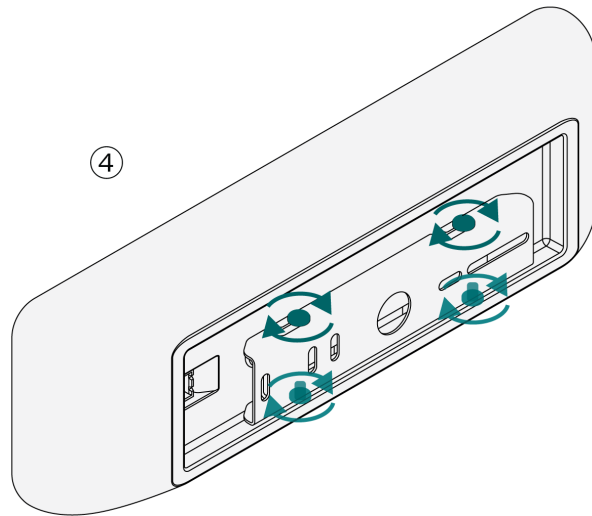
1. Thread the loudspeaker wire through the large opening in the wall bracket.
2. Connect the loudspeaker wire to the block connector and attach the block connector to the loudspeaker.



3. Align the mounting screws on the back of the loudspeaker with the holes on the wall mount bracket and slide the loudspeaker into the bracket until it clicks into place.

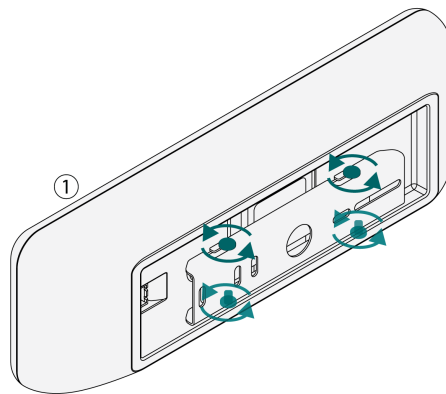


4. Tighten the mounting screws.

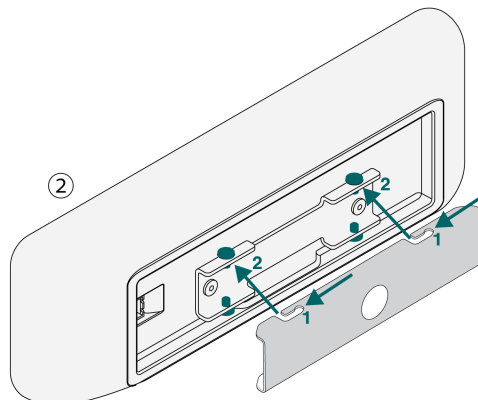


## Remove the Loudspeaker

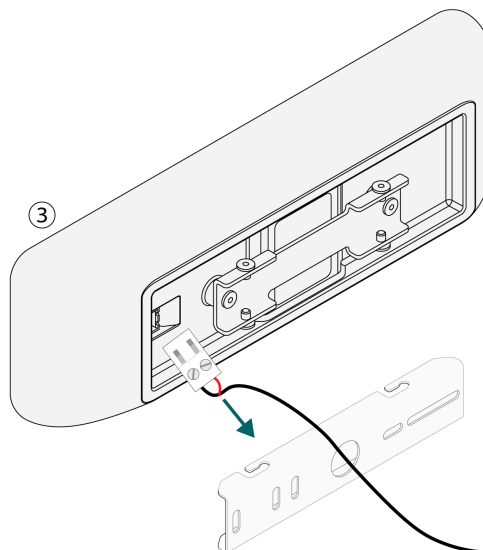
1. Loosen the 4 mounting screws.



2. Slide the loudspeaker off the wall mount bracket.

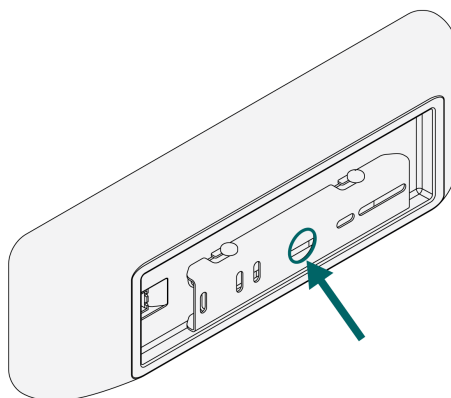


3. Disconnect the loudspeaker from the connector and loudspeaker cable.



## Pole Mounting on the Ceiling

You can also pole mount the loudspeaker on the ceiling by threading a metal rod through the large opening of the wall mount bracket and securing it with washers and nuts. Install the rod on the ceiling according to the manufacturer's instructions. Follow any local regulations.



**Important:** The washer and nut between the wall bracket and the loudspeaker bracket must be 1/4 in. (7 mm) thick or less.

## Connect the Loudspeaker to an Amp

To power loudspeakers, connect them to an amplifier. If you are connecting loudspeakers to the Shure MXN-AMP, choose the corresponding loudspeaker preset in the control software.

---

## Specifications

### Weight

1.34 lbs (0.61 kg)

## Dimensions

11.16 x 3.54 x 1.91 in. (283.5 x 90 x 48.5 mm)

## Connector Type

2-pin connector, 0.2 in. (5.08 mm) pitch, Jiekle 2EDG-5.08 V/R

## Coverage Angle

*Average of 1 octave band centered on 4 kHz, IEC standard 60268-5 23.4*

98°

## Frequency Response

~120Hz – 20kHz

## Nominal Impedance

4Ω

## Maximum Input Power

10 W

## Maximum SPL

*at an RMS input of 21 dBV, IEC standard 60268-5*

AES75 max linear sound levels: 89 dBZ, 108 dBZpk, 89 dBA

## Sensitivity

*at 2.83 V*

82 dB SPL 1W/meter

## Operating Temperature Range

-7 to 40°C (19.4 to 104°F)

## Storage Temperature Range

-29 to 74°C (-20 to 165°F)

---

# Troubleshoot Shure MXP Loudspeakers

## Troubleshooting

Problem	Solution
<b>No sound</b>	<p>Check cables and connections. Make sure your loudspeaker is connected to your amp and that your amp is plugged in, powered on, and routed correctly.</p> <p>Make sure the amp is not muted in the control software.</p>

Problem	Solution
<p><b>Audio clipped, distorted, humming, buzzing, uneven, or too soft.</b></p>	<p>Check cables and connections. Make sure your loudspeaker is connected to your amp and that your amp is plugged in, powered on, and routed correctly.</p> <p>Reduce amp gain.</p> <p>Check the quality of your audio source.</p> <p>Make sure other electrical devices aren't interfering with your audio setup.</p> <p>On MXP-5 or MXP-6, check the tap settings on your loudspeaker.</p>
<p><b>Not enough bass/treble</b></p>	<p>Adjust EQ of the MXN-AMP in the control software. Make sure the preset for your loudspeaker is selected on the Outputs page.</p>

## Additional Resources

- [Shure Knowledge Base FAQs](#)
- [MXN-AMP PoE-Powered Amplifier User Guide](#)
- [MXN-AMP Command Strings](#)
- [Shure Enterprise Networking Troubleshooting Checklist](#)
- [Training from the Shure Audio Institute](#)
- [Shure Systems YouTube channel](#)

## Important Product Regulatory Information

### CE Notice

Hereby, Shure Incorporated declares that this product with CE Marking has been determined to be in compliance with European Union requirements.

The full text of the EU declaration of conformity is available at the following site: <https://www.shure.com/en-EU/support/declarations-of-conformity>.

### UKCA Notice

Hereby, Shure Incorporated declares that this product with UKCA Marking has been determined to be in compliance with UKCA requirements.

The full text of the UK declaration of conformity is available at the following site: <https://www.shure.com/en-GB/support/declarations-of-conformity>.

# Environmental Regulatory Information

## Waste Electrical and Electronic Equipment (WEEE) Directive



In the European Union and the United Kingdom, this label indicates that this product should not be disposed of with household waste. It should be deposited at an appropriate facility to enable recovery and recycling.

## Registration, Evaluation, Authorization of Chemicals (REACH) Directive

REACH (Registration, Evaluation, Authorization of Chemicals) is the European Union (EU) and the United Kingdom (UK) chemical substances regulatory framework. Information on substances of very high concern contained in Shure products in a concentration above 0.1% weight over weight (w/w) is available upon request.

部件名称	有害物质									
	Pb	Cd	Hg	Cr(VI)	PBB	PBDE	DBP	BBP	DIBP	DEHP
电路模块	X	○	○	○	○	○	○	○	○	○
金属模块	X	○	○	○	○	○	○	○	○	○
线缆及其组件	X	○	○	○	○	○	○	○	○	○
电源适配器*	X	○	○	○	○	○	○	○	○	○
锂电池组*	X	○	○	○	○	○	○	○	○	○

本表格依据 SJ/T11364 的规定编制。

O: 表示该有害物质在该部件所有均质材料中的含量均在 GB/T26572 规定的限量要求以下。

X: 表示该有害物质至少在该部件某一均质材料中的含量超出 GB/T26572 规定的限量要求。

注 1: 本产品大部分的部件采用无害的环保材料制造, 含有有害物质的部件皆因全球技术发展水平的限制而无法实现有害物质的替代。

注 2: 以上未列出的部分, 表明其有害物质含量均满足电器电子产品有害物质限制使用国家标准要求

\*: 表示如果包含部分

## Recycling Information

Please consider the environment, electric products and packaging are part of regional recycling schemes and do not belong to regular household waste.

## Certification and Compliance Markings

