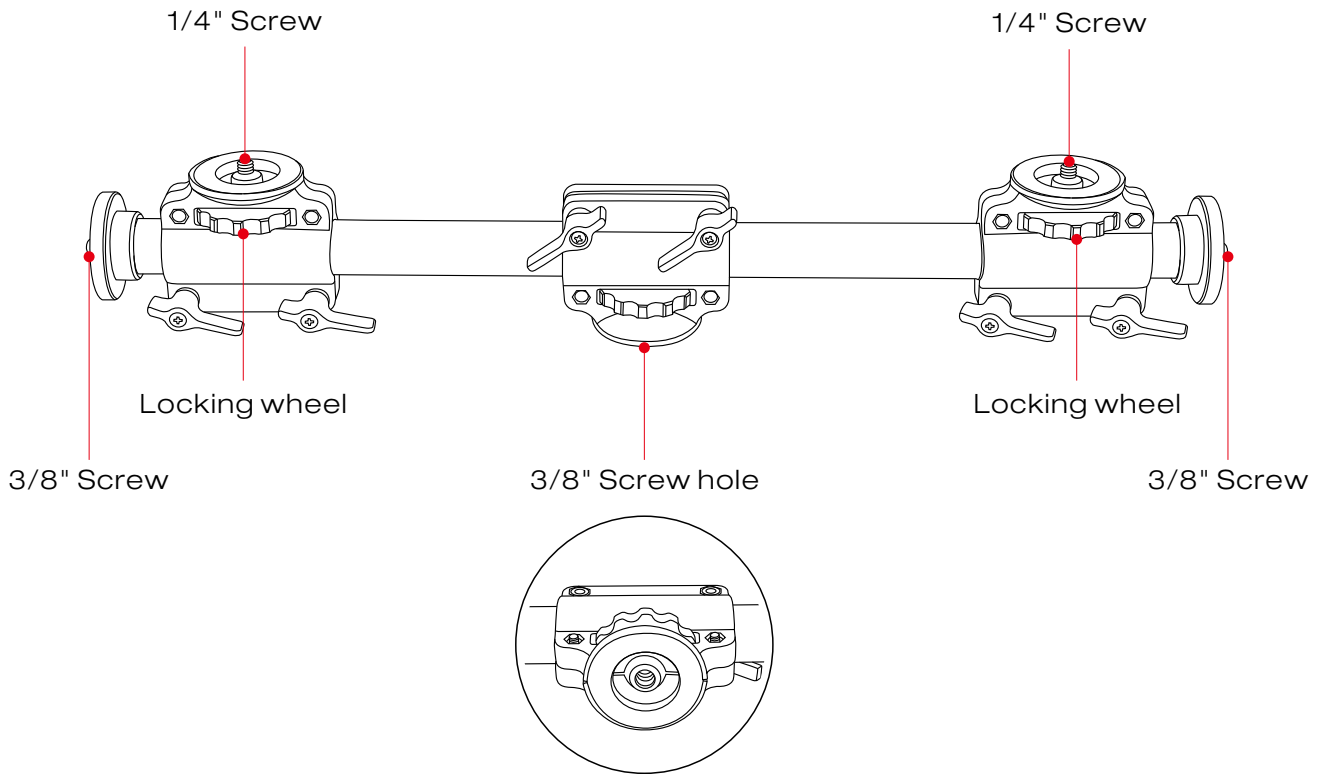


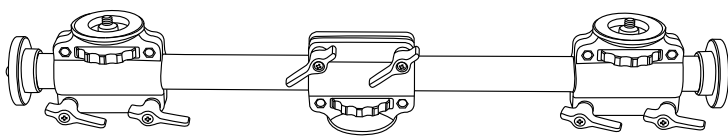
The E-IMAGE MS-010 Tripod Boom is made from high-grade aluminium alloy, it can mounts on any column with 3/8" thread. On its total length of 600mm you can even mount up to four devices.



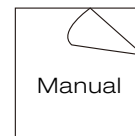
## Specifications

Model	Length	Tube Dimension	Payload	Net Weight
MS-010	60cm / 23.6in	30mm / 1.2in	10kg / 22.0lbs	1750g / 3.9lbs

## In the Box



MS-010 x1



User Guide x1

## Contact Information

### NINGBO EIMAGE STUDIO EQUIPMENT CO., LTD

Add: No.1230 South Cihai Rd, Luotuo Industry zone, Zhenhai, Ningbo, China. 315202

Tel: 86-574-86590031/86590061

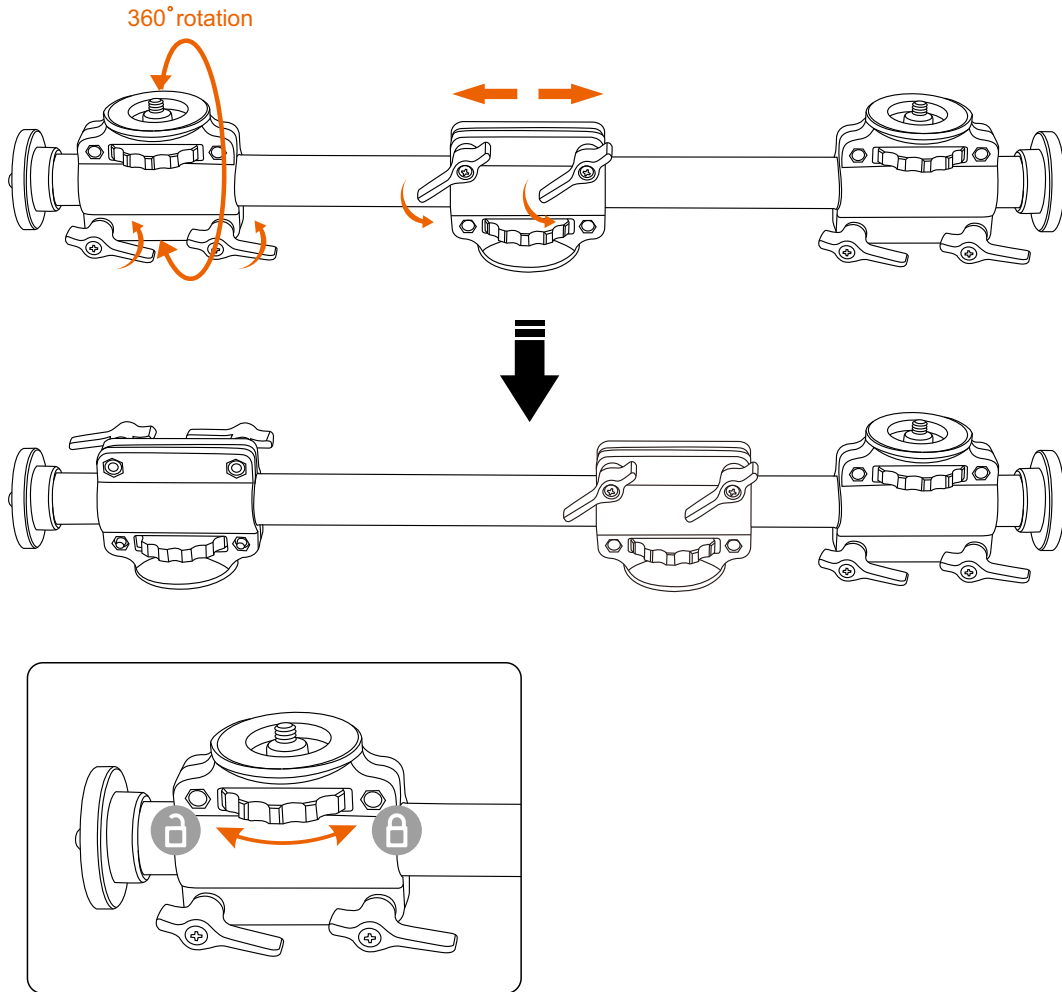
E-mail: sales@eimagevideo.com

Visit [www.eimagevideo.com](http://www.eimagevideo.com) for more information



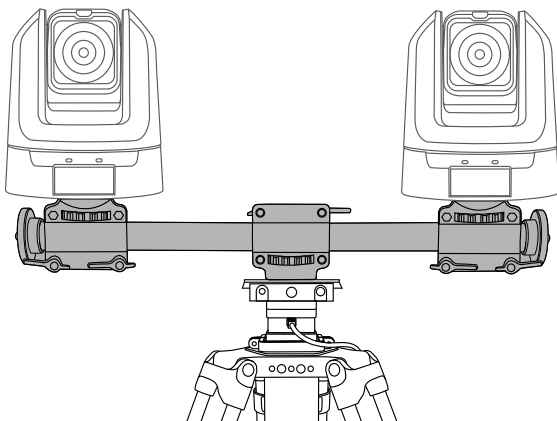
EIMAGE official QR code

Rotate the locking knob to release the lateral fasteners, can move it in horizontally and 360° rotation in tilt.



## Connect the M-PTZ-PEDESTAL Motorized Elevation System

- ❶ Attach the MS-010 to the M-PTZ-PEDSTAL with a 3/8" screw through the bottom screw hole.
- ❷ Install PTZ cameras on the MS-010 with 1/4" screw provided, allowing for the simultaneous mounting of two PTZ cameras.
- ❸ Adjust PTZ camera placement by manipulating the locking knobs on the MS-010 (upright or upside-down).



\* Ensure that you adjust the MS-010 to the desired position before installing the PTZ cameras. After installing the cameras, securely lock them in place to prevent any accidental camera drops.