

FSM-HD / HEAVY-DUTY FULL MOTION

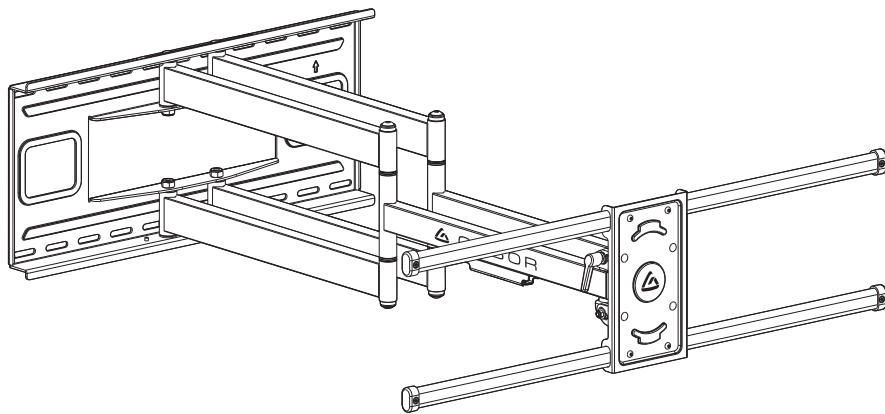
WALL MOUNT

for 43 to 90 in. Displays

User Manual

Thank you for choosing Gabor.

The Gabor Heavy-Duty Full Motion Wall Mount offers heavyweight materials and flexible viewing angles for wall-mounted displays. Sturdy steel construction accommodates large flat- and curved-panel TVs and monitors with screen sizes measuring 43 to 90 inches and supports a maximum weight of 176 pounds. This mount features a lengthy mounting depth from 2.7 to 41 inches, allowing large monitors ample extension away from the wall and featuring a full swivel range of 120°. The included mounting template makes setup a breeze and ensures accurate installation.



Safety Warnings

- When installing this product, be sure to refer to the mounting instructions detailed in this manual; failure to abide by the mounting instructions may void the product's warranty.
 - Do not use this product for any flat-panel display other than what it is intended for; the exact specifications, size parameters, and weight limits are found both on the product box and in the instruction manual.
 - It is strongly recommended that this product be installed by a qualified professional or installation contractor; Gabor takes no responsibility for any product damage or personal injury resulting from mishandling, incorrect mounting, faulty assembly, or improper use of this product.
 - This product has been designed specifically for mounting directly on wooden studs or concrete walls; depending on wall type and material, the use of additional appropriate mounting hardware and/or accessories such as heavy-duty anchors may be required.
 - The supplied mounting hardware is not intended for use on metal studs or cinder block walls and may not be appropriate for old or weak walls; it is best to consult with a qualified professional to determine whether your wall can support this bracket.
 - Do not mount the device on structures that may be affected by vibrations or noticeable impacts; do not install near a heater, fireplace, or any other source of direct heat energy.
 - It is recommended that at least 2 people perform the installation process to prevent injury from mishandling or dropping the product and/or flat-screen device.
 - This product may contain small parts which can possibly pose a choking hazard; keep out of reach of children and pets.
 - Excessive exposure to liquids may damage the finish of this product; when cleaning this product, use only a mild detergent solution, and quickly wipe dry with a soft cloth.
 - All images are for illustrative purposes only.
- If you have safety concerns about installing this product, contact a qualified professional or installation contractor.
- If this product is missing hardware or there are defective parts, visit www.madebygabor.com or call Customer Service at 212-594-2353.

Product Specifications

Recommended Screen Sizes
43 to 90 in. (109.2 to 228.6 cm)

Depth from Mounting Source
2.75 to 41.5 in. (7 to 105.4 cm)

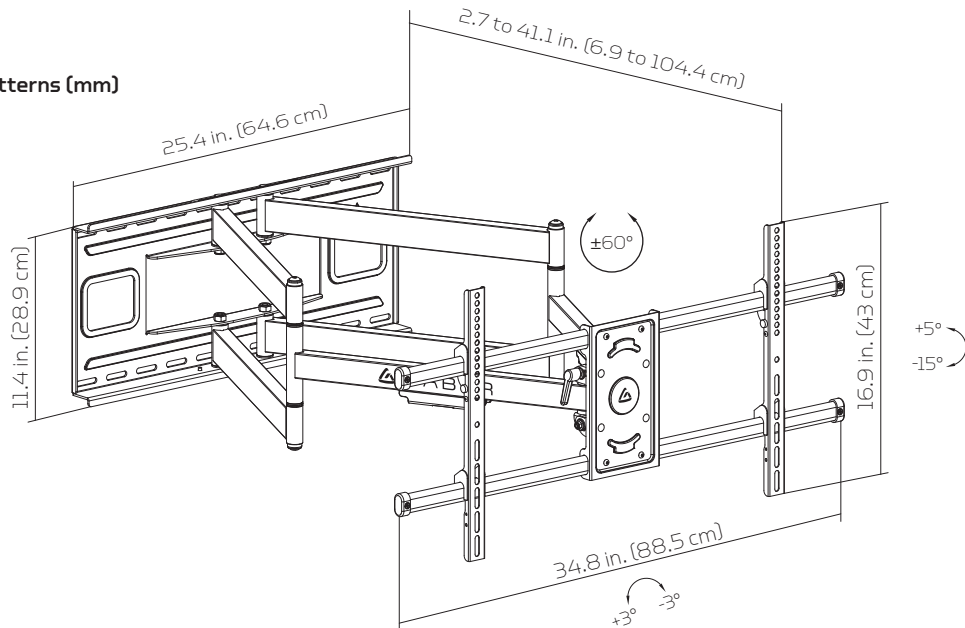
Max Weight Capacity
176 lb. (80 kg)

Material
Steel

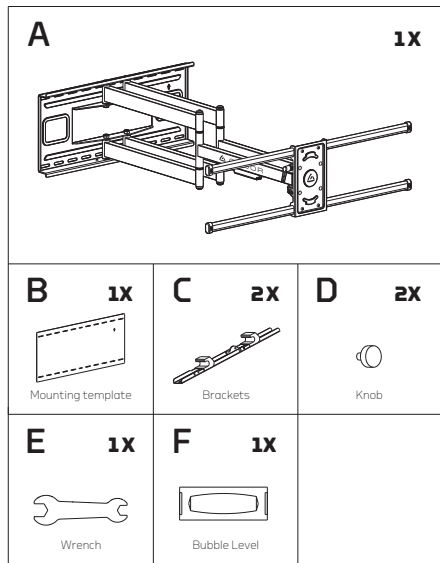
Weight
33.4 lb. (15.1 kg)

VESA Mounting Patterns (mm)

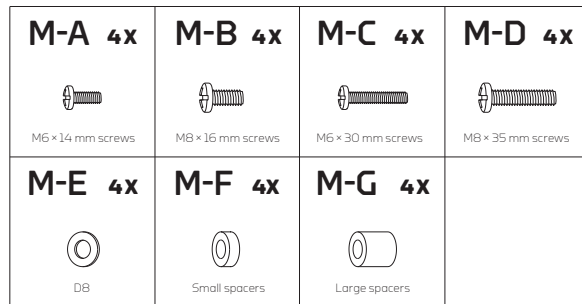
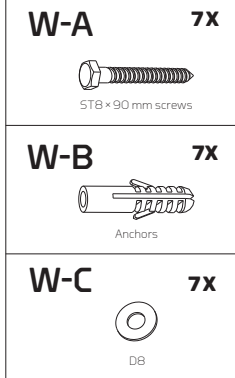
200×200,
300×200,
300×300,
400×200,
400×300,
400×400,
600×400,
800×400



Overview



Mounting Hardware



Required Tools



Display/TV Placement

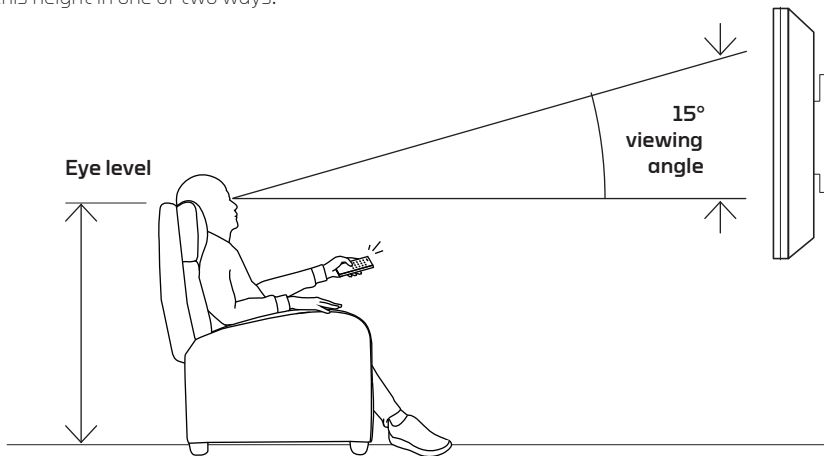
Before installing the Gabor Full Motion Mount, you will need to determine the placement of your display and identify surrounding support structures for attachment.

The best height for a display is at the viewer's eye level. You can find this height in one of two ways.

1. Measure the distance from the seating area to the viewing area. The ideal position is when the center of the display (where the diagonals meet) is as close as possible to eye level.

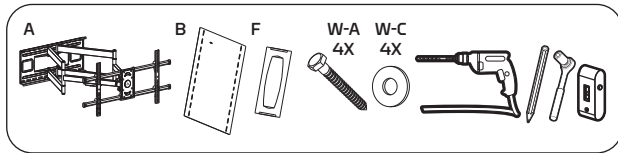
OR

2. Cut a piece of sturdy cardboard that's approximately the same size as your display. Use the cardboard to find a comfortable height, and mark the mounting location with a pencil.

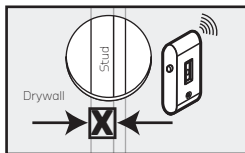


Attaching the Wall Bracket to Wooden Studs

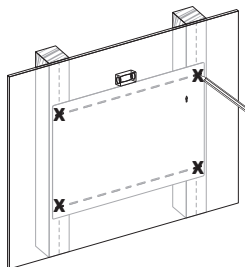
Wooden studs run vertically inside the wall, 16 inches apart, behind the drywall or plaster. The wall bracket must be mounted to a wooden stud, or it could fall out and damage your display or cause personal harm.



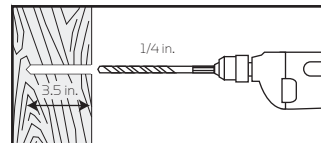
1. Use a stud finder to locate the edges of the wooden studs and mark the center of each one.



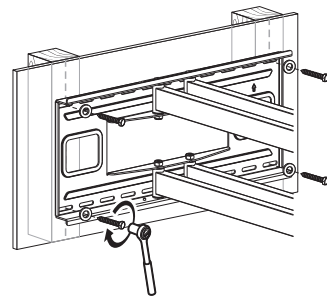
2. Tape the mounting template up to the marked locations. Use the bubble level to make sure the template is level before drilling. Use a pencil to mark the four locations as shown.



3. Remove the template and use a 1/4-inch (6 mm) wood drill bit to predrill the four anchor locations as shown, 3.5 inches (90 mm) deep, and then clean out the debris from the holes.



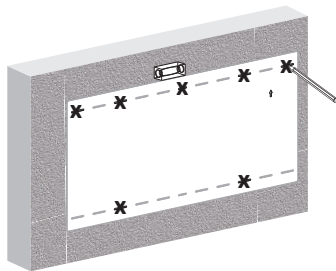
4. Screw in the four wall screws and washers using a 1/2-inch or 13 mm socket as shown. Use the bubble level to make sure the mount is level.



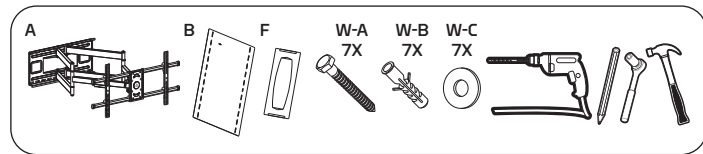
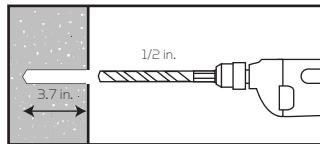
Attaching the Wall Bracket to Concrete

Warning! Make sure the concrete wall is solid and at least 8 inches (20 cm) thick. If the concrete exhibits cracks or other defects, this may result in failure of the concrete anchors and cause serious personal injury or damage to your display.

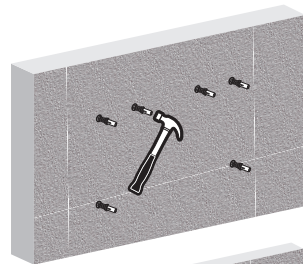
1. Tape the mounting template to the wall and use the bubble level to make sure the template is level before drilling. Use a pencil to mark the seven locations as shown.



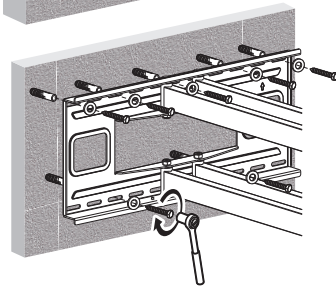
2. Use a 1/2-inch (12 mm) concrete drill bit to predrill the marked spots 3.7 inches (95 mm) deep, and then remove the template and clean out the debris from the holes.



3. Insert the concrete anchors into the predrilled holes. Use a hammer to lightly tap the anchors into the concrete.



4. Screw the seven wall screws and washers into the previously tapped wall anchors, using a 1/2-inch or 13 mm socket as shown. Use a bubble level to make sure the mount is level.

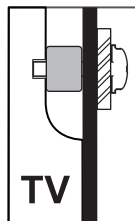
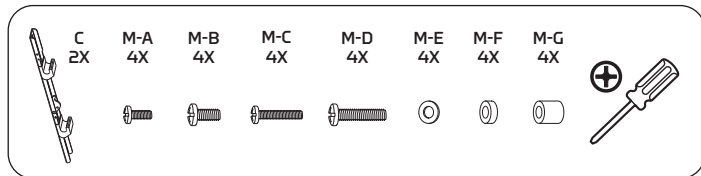
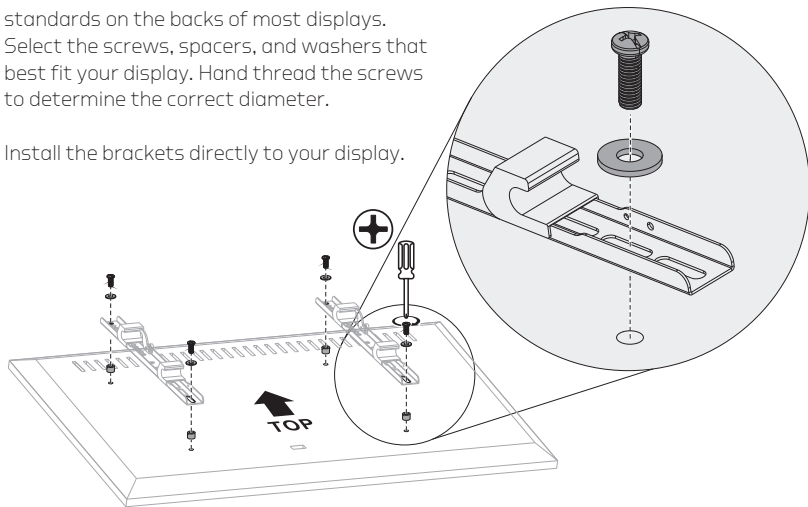


Attaching the Display Bracket

Selecting the Right VESA Mounting Hardware for Your Display

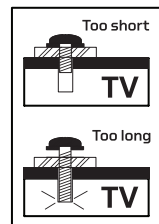
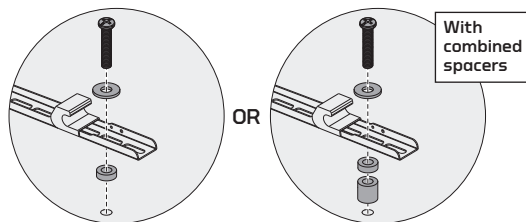
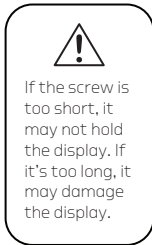
A selection of screws is included to fit VESA standards on the backs of most displays. Select the screws, spacers, and washers that best fit your display. Hand thread the screws to determine the correct diameter.

Install the brackets directly to your display.



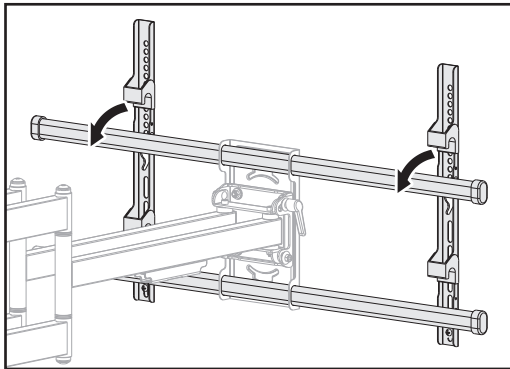
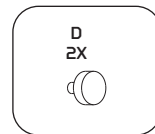
If Your Display Has Recessed Mounting or a Curved Back:

Install the spacers between the bracket and your display. You can combine spacers to best fit your display. Then fasten with the screws and washers until secure.

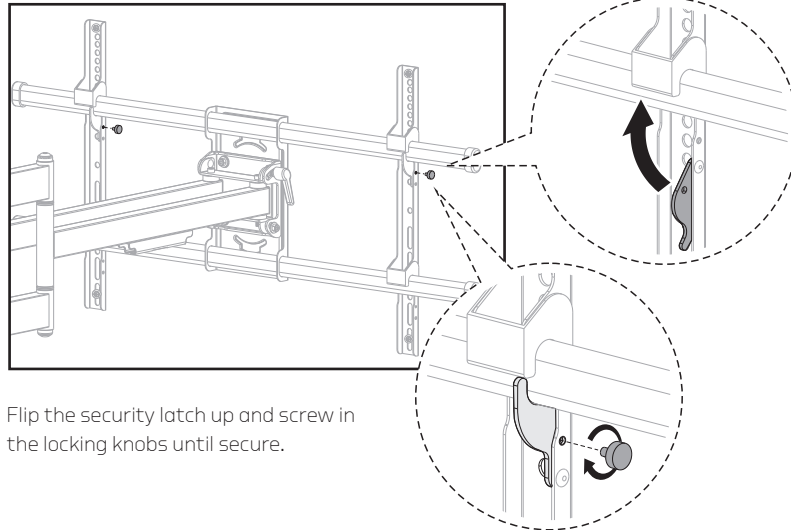


Mounting the Display on the Wall Bracket

Important! We recommend that two people perform this step.



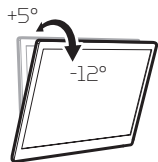
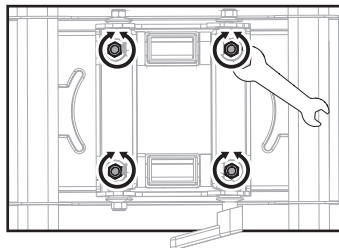
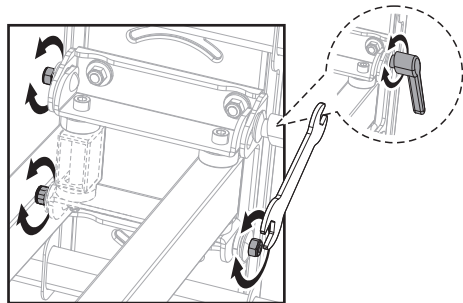
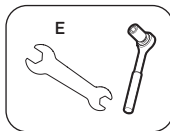
1. Lift your display up to the wall mount and align the display bracket's top and bottom flanges with the mount's top and bottom bars.



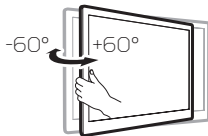
2. Flip the security latch up and screw in the locking knobs until secure.

Post-Installation Adjustment

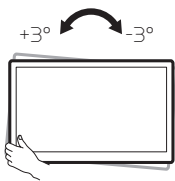
Once your display is attached onto the wall mount, you can fine-tune the horizontal level $\pm 3^\circ$, tilt $+5^\circ$ to -15° , and swivel $\pm 60^\circ$.



Tilt



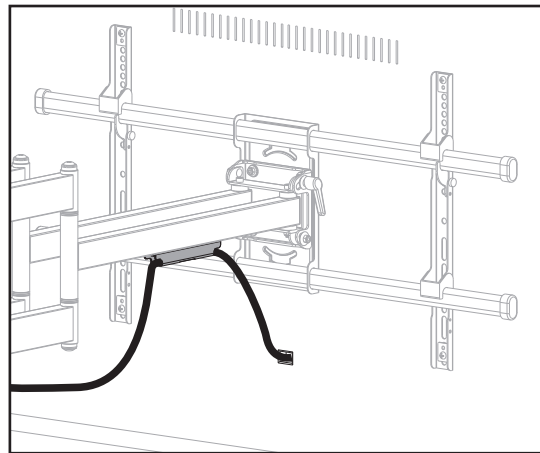
Swivel



Horizontal Level

Cable Management

Run the power and A/V cables through the cable guides to keep your setup clean and your cables hidden.



One-Year Limited Warranty

This Gabor product is warranted to the original purchaser to be free from defects in materials and workmanship under normal consumer use for a period of one (1) year from the original purchase date or thirty (30) days after replacement, whichever occurs later. The warranty provider's responsibility with respect to this limited warranty shall be limited solely to repair or replacement, at the provider's discretion, of any product that fails during normal use of this product in its intended manner and in its intended environment. The inoperability of the product or part(s) shall be determined by the warranty provider. If the product has been discontinued, the warranty provider reserves the right to replace it with a model of equivalent quality and function.

This warranty does not cover damage or defect caused by misuse, neglect, accident, alteration, abuse, improper installation or maintenance. EXCEPT AS PROVIDED HEREIN, THE WARRANTY PROVIDER MAKES NEITHER ANY EXPRESS WARRANTIES NOR ANY IMPLIED WARRANTIES, INCLUDING BUT NOT LIMITED TO ANY IMPLIED WARRANTY OF MERCHANTABILITY OR FITNESS FOR A PARTICULAR PURPOSE. This warranty provides you with specific legal rights, and you may also have additional rights that vary from state to state.

To obtain warranty coverage, contact the Gabor Customer Service Department to obtain a return merchandise authorization ("RMA") number, and return the defective product to Gabor along with the RMA number and proof of purchase. Shipment of the defective product is at the purchaser's own risk and expense.

For more information or to arrange service, visit www.madebygabor.com or call Customer Service at 212-594-2353.

Product warranty provided by the Gradus Group.

www.gradusgroup.com

Gabor is a registered trademark of the Gradus Group. © 2025 Gradus Group LLC. All Rights Reserved.

