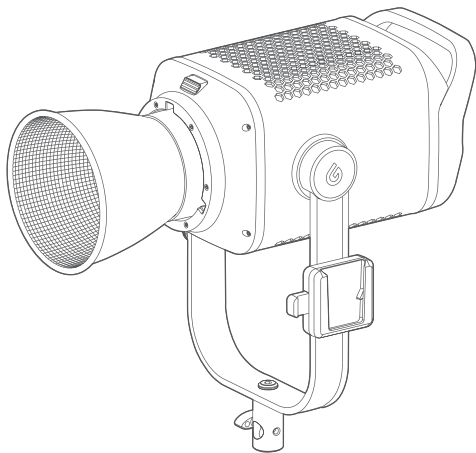


# LITEMONS



## LA600Bi

LITEMONS Bi-color LED Light  
Instruction Manual

V1.0 Instruction Manual

V1.00 Firmware

## Important Safety Instructions and Precautions

Godox LED lights, especially those with high power output, are professional equipment and should only be operated by professionals. Carefully read and fully understand the instruction manual before use and strictly follow the safety instructions. Failure to do so may result in death, serious injury, damage to the product, or other property damage.



### Danger

- Professional lighting fixture is prohibited for children. When children are near, parents or guardians must supervise closely to prevent them from personal injury due to collision with light or private use of light.
- This product is not ordinary lighting fixture and cannot be used for general lighting. Anyone who has suffered eye damage or has sensitive eyes should avoid using this product. When the light is on, it is forbidden to look directly at the lamp beads under any circumstances. Strong light should be used under the guidance of professional lighting engineers. Avoid prolonged exposure to strong light under any circumstances. If it causes eye discomfort, turn off the light, suspend use and seek medical attention promptly.
- For high-voltage (mains) powered products, use a socket with an earth protection device for power supply.
- When the light is on, it must be used with care. Do not touch high-temperature parts, such as LED lamp beads, to avoid burns.
- Do not use damaged product. Stop using immediately if the product shell is cracked due to falling, squeezing, or strong impact, to avoid touching the internal electronic components and getting an electric shock.
- Please use only the accessories recommended by our factory to avoid fire, electric shock or personal injury. If an extension cord is required, use the original extension cord or one recommended by the manufacturer (an extension cord with a current rating greater than or equal to that of the equipment). Extension cords rated at less than that of the equipment may cause fire, electric shock, other serious personal injury hazards, or property damage.
- Use only intact ground connection cables or ground extension cables that have been expressly recognized by the manufacturer for use in the operation of powered products. Damaged or twisted connection cables must be replaced immediately! The product has a long input power cord, so please place the power cord in a safe position to avoid it coming into contact with overheated objects, being improperly placed and causing damage by pulling, or tripping over on-site personnel.

- Do not disassemble the product without permission. If the product malfunctions, it must be checked and repaired by authorized maintenance personnel. If the lamp bead is damaged or deformed by heat, stop using it, and contact the manufacturer, service agent or qualified maintenance personnel to replace the lamp bead in time to avoid accidents.
- Do not use and store this product in explosive atmospheres (near flammable volatile solvents such as alcohol, gasoline, or gases such as methane and ethane).
- Maintain at least 1 meter distance between the light head and the user, other people, and heat-sensitive or flammable items during and after operation of the product.
- When cleaning and repairing the product, turn off the power before unplugging the product's power cord from the power outlet. When not in use, do not pull the power cord to unplug the product from the power outlet. Unplug the product from the power outlet by grasping both ends of the plug with your hands.



## **Warning**

- This equipment is not waterproof, please keep it dry and do not immerse it in water or other liquids. The equipment should be installed in a dry and ventilated place, and avoid using it in rainy, humid, dusty or overheated environments. Do not place any objects on the light or let liquid flow into the light to avoid accidents.
- Do not block or cover the heat dissipation port of the product.
- After use, the product should be completely cooled before packaging.



## Attention

- All transport protective materials and packages on the product must be removed before use.
- When not in use, please turn off the product and stop the power supply promptly.
- Before storing, make sure that the equipment has cooled down completely. For storage, unplug the power cord from the equipment. The equipment should be placed in the carrying case or in a ventilated dry place.
- Please make sure to clean the glass of the lamp bead frequently and keep it clean, the glass may explode if it is stained with mosquito bodies or dark-colored organic matter. When cleaning the device, please do not use a wet cloth to wipe, please use a dry soft cloth to wipe the device dirt.
- The safety instructions are formulated according to the strict testing of the factory, and the design and specifications of the equipment are subject to change without prior notice. Customers can view the latest electronic instruction manuals on the official website of Godox and learn about the latest product information.



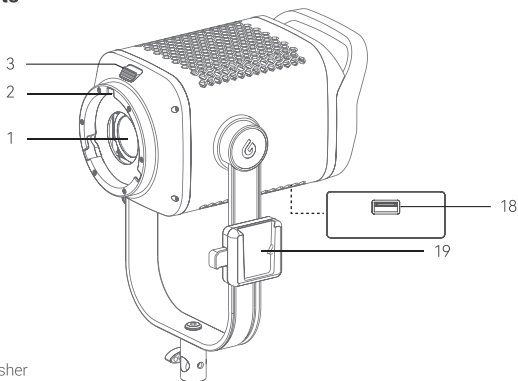
**Do not stare at the operating light source.**

## Foreword

Thank you for purchasing !

LITEMONS bi-color LED light LA600Bi has the following prominent features: wide CCT range from 2800K to 6500K, 11 types of FX modes, high-bright and high-CRI light bead, percentage dimming, wired DMX connection, wireless Bluetooth connection and NFC fixture addition. It is specially designed to provide light source for small scene advertising, microfilm shooting, live streaming and other scenes.

## Names of Parts



- 1. Light Bead
- 2. Bowens Mount
- 3. Mount Fixing Pusher

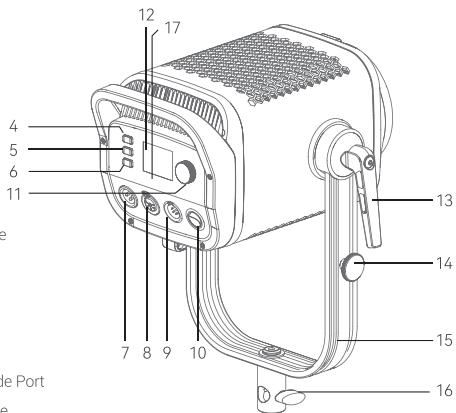
- 4. MODE Button
- 5. MENU Button
- 6. Bluetooth Button

- 7. DC Input Port
- 8. DMX OUT Port
- 9. DMX IN Port

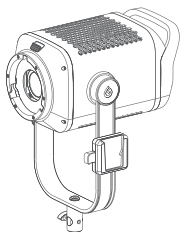
- 10. Power Switch Button
- 11. Select Dial
- 12. Display
- 13. Direction Locking Handle

- 14. Hanging Device
- 15. U-type Bracket
- 16. Bracket Locking Knob
- 17. NFC Sensing Area

- 18. USB-A Firmware Upgrade Port
- 19. Adapter Mounting Device



## What's Inside LA600Bi



Light Body × 1



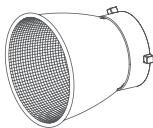
Adapter × 1



AC Power Cord × 1



Steel Rope × 1

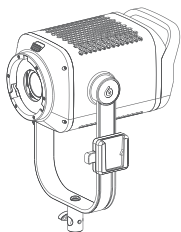


Reflector BR30 × 1

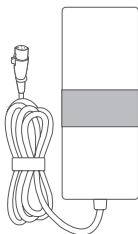


Instruction Manual × 1

## What's Inside LA600Bi K1



Light Body × 1



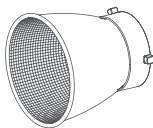
Adapter × 1



AC Power Cord × 1



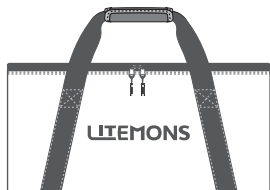
Steel Rope × 1



Reflector BR30 × 1



Instruction Manual × 1



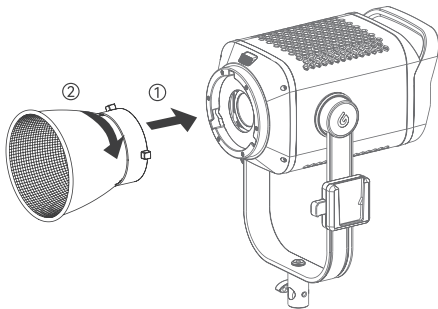
Storage Bag × 1

### Note:

- ① The non-detachable U-type bracket is included in the light body.
- ② Due to continuous updates and upgrades of the products, there may be differences between the actual products and the pictures. Therefore, the pictures are for reference only, products to prevail in kind.

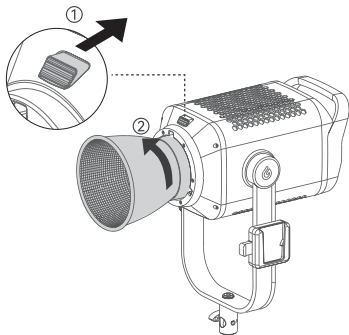
## Installing the Reflector

Align the reflector with the light head mount and rotate clockwise to install it.



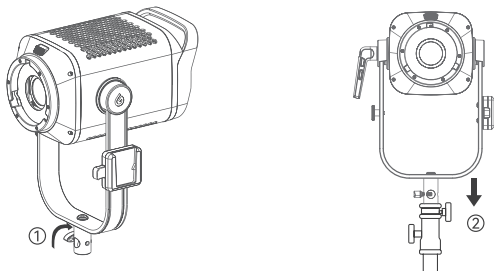
## Disassembling the Reflector

Press and hold the mount fixing pusher and rotate counterclockwise to remove the reflector.

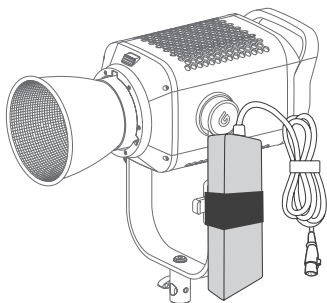


## Mounting onto the Light Stand

1. Rotate counterclockwise the U-type bracket locking button to loosen it, install the light body onto the separately purchased light stand firmly, then rotate clockwise the U-type bracket locking button to tighten it.

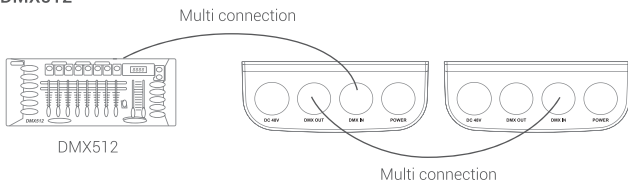


2. Insert the adapter into the adapter mounting device.



## Wired DMX Connection

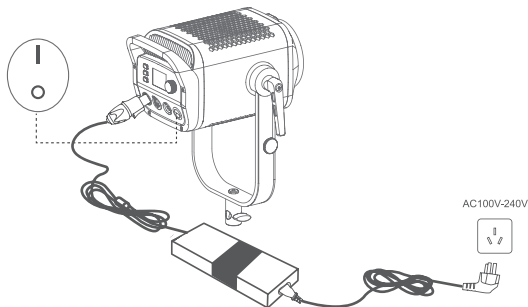
### DMX512



Note: The above pictures only show the method to connect the DMX512 controller, the controller and connecting cable are sold separately.

## Power Switch

Connect the device to power source, then toggle the power switch button to ( I ) to turn it on, toggle to ( O ) to turn it off.

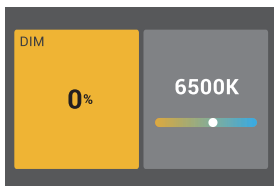


## CCT Mode

Short press the MODE button to enter CCT mode interface, in which you can adjust the DIM and CCT. Rotate the select dial clockwise to increase the parameters, while rotate anticlockwise to decrease the parameters.

DIM range: 0% ~ 100%

CCT range: 2800K ~ 6500K



## FX Mode

Short press the MODE button to enter FX mode interface, in which you can choose among the 11 effects and adjust their respective parameters.



## 1. Flash

This light effect simulates the flash of a camera flash or a traditional flash bulb, often used to create a lively and dynamic atmosphere.

DIM: 0% -100%

Switch: Turn on/off the effect

CCT: 2800K-6500K

Trigger: Auto/Manual

Speed: 1-100

Mode: Camera Flash/Flash Bulb

## 2. Lightning

This effect simulates the natural thunder and lightning and is often used to create a tense, terrifying or mysterious atmosphere.

DIM: 0% -100%

Switch: Turn on/off the effect

CCT: 2800K-6500K

Trigger: Auto/Manual

Times: Random/1-10

Frequency: Random /2-20

## 3. Cloudy

This effect simulates the effect of cloud occlusion and is often used to create a gloomy, oppressive or sad atmosphere.

DIM: 0% -100%

Switch: Turn on/off the effect

Ratio: 30% -90%

Speed: Random/1-100

## 4. Broken Bulb

This effect simulates the effect of a broken bulb and is often used to create a dim atmosphere.

DIM: 0% -100%

Switch: Turn on/off the effect

CCT: 2800K-6500K

Speed: 1-100

## 5. TV

This effect simulates the effect of light from a television or screen and is often used to create a cold, mechanical or digital atmosphere.

DIM: 0% -100%

Switch: Turn on/off the effect

Speed: 1-100

## 6.Candle

This effect simulates the effect of light from a candle and is often used to create a soft, warm, shimmering atmosphere.

DIM: 0% -100%

Switch: Turn on/off the effect

Speed: 1-100

## 7. Fire

This effect simulates the effect of light from flame and is often used to create a bright, warm, shimmering atmosphere.

DIM: 0% -100%

Switch: Turn on/off the effect

Speed: 1-100

## 8.Firework

This effect simulates the effect of light from fireworks and is often used to create a gorgeous, colorful, romantic atmosphere.

DIM: 0% -100%

Switch: Turn on/off the effect

Embers: 1-100

Speed: 1-100

## 9.Explosion

This effect simulates the effect of light from explosion and is often used to create a bright, fierce, shimmering atmosphere.

DIM: 0% -100%

Switch: Turn on/off the effect

CCT: 2800K-6500K

Trigger: Auto/Manual

Embers: 1-100

Speed: 1-100

## 10.Welding

This effect simulates the effect of light from welding and is often used to create a hot, mechanical atmosphere.

DIM: 0% -100%

Switch: Turn on/off the effect

CCT: 2800K-6500K

Speed: 1-100

## 11.SOS SOS

This effect simulates the flashing effect of an SOS signal and is often used to create a dangerous, distress or emergency atmosphere.

DIM: 0% -100%

Switch: Turn on/off the effect

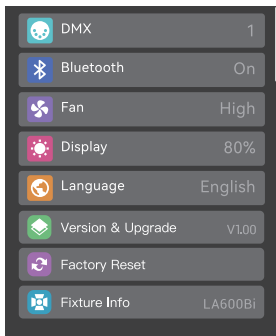
CCT: 2800K-6500K

Note: Please rotate the select dial to adjust the parameters, then press and rotate it to the next parameter. Select manual, the effect can be triggered once by pressing the select dial once. After a certain effect is set, press MODE button can return to the 11 effects interface.

## MENU Settings

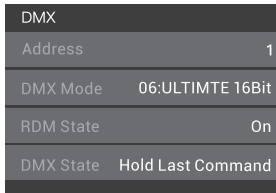
Press the MENU button to enter menu interface, rotate and press the select dial to enter the following setting options, press the MENU button can return to the MENU interface.

Note: Please rotate the select dial to adjust the parameters, then press and rotate it to the next parameter. Select manual, the effect can be triggered once by pressing the select dial once. After a certain effect is set, press MODE button can return to the 11 effects interface.



## DMX

Short press the select dial to enter DMX interface, press and rotate the select dial to adjust the following settings.

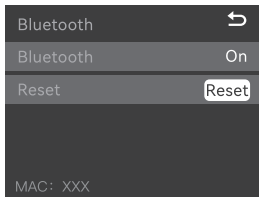


Level 1 Option	Level 2 Option	Description
<b>Address</b>	001-512	Initial address
<b>DMX Mode</b>	01: CCT 8 Bit	CCT mode in 8bit
	02: FX 8 Bit	FX mode in 8bit
	03: CCT 16 Bit	CCT mode in 16bit
	04: FX 16 Bit	FX mode in 16bit
	05: ULTIMATE 8 Bit	ULTIMATE DMX mode in 8bit
	06: ULTIMATE 16 Bit	ULTIMATE DMX mode in 16bit
<b>RDM State</b>	On	Turn on RDM, the controller can set the fixture address and DMX mode
	Off	Turn off RDM
<b>DMX Lost</b>	Hold Last Command	After the DMX control signal is lost, continue to use the last received DMX control signal until power down or a valid DMX control signal is received again.
	Black Out	The light is off immediately.
	Black Out After 2 min	After the DMX control signal is lost, continue to use the last received DMX control signal for 2 minutes then black out. Note: If a valid DMX control signal is received within 2 minutes, then use the new DMX control signal.
<b>Termination</b>	On	Turn on DMX terminal
	Off	Turn off DMX terminal
<b>Extend DMX Channels</b>	On	Turn on extend DMX channels
	Off	Turn off extend DMX channels
<b>DMX Table</b>	Scan the QR code to check DMX table	

Note: Please refer to the DMX Mode Specification to control the device by DMX/RDM. The electronic version can be downloaded from the official website <https://www.godox.com>.

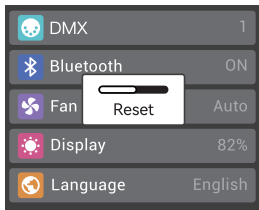
## Bluetooth

Short press the select dial to enter Bluetooth interface, press and rotate the select dial to turn on/off, or reset. The MAC code is on the corner for quick check.



## Bluetooth Quick Reset

Press and hold the Bluetooth button to quickly reset the Bluetooth, the "Reset" progress bar will appear on the display, and the Bluetooth is resetting when the progress bar is full.



## "GODOX Light" app Downloading

Scan the QR code to download the "Godox Light" smartphone app (can be used in Android and iOS).

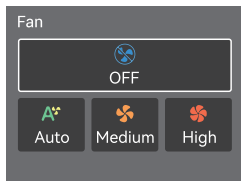
Note:

1. The app can be used directly on the firstly installed device (smartphone or iPad). When change to other mobile device (smartphone or iPad), the light shall be reset before the normal connection of the app.
2. The app should be version 3.0 or above.



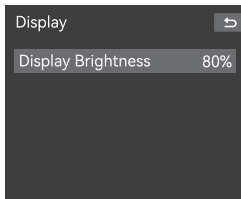
## Fan

Short press the select dial to enter fan interface, press and rotate the select dial to choose among off, auto, medium and high, then press the select dial to confirm the setting.



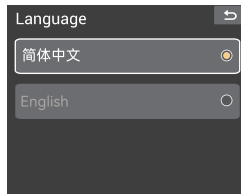
## Display

Short press the select dial to enter display interface, press and rotate the select dial to adjust the display brightness from 10% to 100%.



## Language

Short press the select dial to enter language interface, press and rotate the select dial to choose between simplified Chinese and English.



## Version & Upgrade

Short press the select dial to enter version & upgrade interface to check the firmware version and upgrade instruction.

### Firmware Upgrade

1. Download the new firmware to the U disk from official website (<https://www.godox.com/firmware-continuous-light>).
2. Turn off the device. Insert the U disk with new firmware into the USB-A port.
3. Press and hold the MODE button then turn on the device, and it will automatically enter the upgrading interface.
4. It will return to main interface after completion.

Notes:

1. New firmware must be downloaded from the official website, and keep only one BIN file in the root directory of the USB disk.
2. The USB-A port can only support output voltage and current of 5V=1.5A. Do not connect to over-rated USB device.



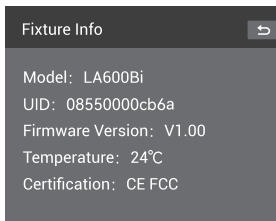
## Factory Reset

Short press the select dial to enter factory reset interface to choose yes or no. If you choose yes, the device will automatically reset and reboot, then simplified Chinese and English options show on the display for your choice, after which the brightness will turn to 100% automatically.



## Fixture Info


Short press the select dial to enter fixture info interface to check the basic information of the product.



## NFC Addition

Use the NFC function of smartphone and NFC chip of the light fixture to connect them, then add the light fixture to **【Godox Light】** app.

1. Preconditions: light fixture supports NFC addition, **【Godox Light】** app is V3.2.4 or above, Bluetooth and NFC functions of smartphone are turned on.
2. Operation Instructions: subject to the fulfillment of preconditions, turn on the **【Godox Light】** app and enter the corresponding scene, click **【+】** to select **【NFC Addition】** function, bring the NFC sensing area of smartphone near the sensing area of light fixture to scan to add in **【NFC Addition】** interface, bulk addition is also supported.

Note: Android systems can complete the addition by directly closing the sensing area, while iOS system need to click the  icon on the right top and wait for the pop-up window then add.

## Illuminance Data

CCT	Testing Condition	Unit	1m	2m	3m	5m
2800K	Bare Light	lux	18900	4760	2170	771
		fc	1750	442	201	72
	With Reflector BR30	lux	164000	35000	14700	5130
		fc	15200	3250	1370	477
3200K	Bare Light	lux	20800	5240	2390	850
		fc	1930	487	222	79
	With Reflector BR30	lux	181000	38600	16200	5660
		fc	16800	3590	1510	526
4300K	Bare Light	lux	24100	6070	2760	987
		fc	2240	564	257	92
	With Reflector BR30	lux	204500	44700	18800	6560
		fc	18981	4150	1750	609
5600K	Bare Light	lux	25500	6340	2880	1030
		fc	2370	589	267	96
	With Reflector BR30	lux	212500	46700	19700	6840
		fc	19724	4340	1830	635
6500K	Bare Light	lux	25000	6270	2850	1020
		fc	2320	583	265	95
	With Reflector BR30	lux	210100	46400	19600	6770
		fc	19501	4310	1820	629

Note: All the data are average values instead of absolute values. All the above tests are based on the condition of 100% brightness.

## Technical Data

Model	LA600Bi
Power Supply	100V-240V~50/60Hz
DC Port Input Power	48V $\overline{=}$ 600W (Max.)
CCT Range	2800K - 6500K
Brightness Range	0% ~ 100%
FX Modes	11
CRI	Average $\geq$ 95
TLCI	Average $\geq$ 95
Controlling Methods	Wired DMX Control, support RDM protocol/ Bluetooth app/light body control
Bluetooth Controlling Distance	60m
USB-A Port	Firmware Upgrade/5V $\overline{=}$ 1.5A Power Supply
Working Environment Temperature	-20°C ~ 45°C
Dimension (without reflector) $\approx$	10.83"*11.5"*14.76"
Net Weight (without reflector) $\approx$	4.5kg

Specifications and data may subject to changes without notice.

## FCC Statement

This device complies with part 15 of the FCC Rules. Operation is subject to the following two conditions:

- (1) This device may not cause harmful interference, and
- (2) this device must accept any interference received, including interference that may cause undesired operation.

Any Changes or modifications not expressly approved by the party responsible for compliance could void the user's authority to operate the equipment.

Note: This equipment has been tested and found to comply with the limits for a Class B digital device, pursuant to part 15 of the FCC Rules. These limits are designed to provide reasonable protection against harmful interference in a residential installation. This equipment generates uses and can radiate radio frequency energy and, if not installed and used in accordance with the instructions, may cause harmful interference to radio communications. However, there is no guarantee that interference will not occur in a particular installation. If this equipment does cause harmful interference to radio or television reception, which can be determined by turning the equipment off and on, the user is encouraged to try to correct the interference by one or more of the following measures:

- Reorient or relocate the receiving antenna.
- Increase the separation between the equipment and receiver.
- Connect the equipment into an outlet on a circuit different from that to which the receiver is connected.
- Consult the dealer or an experienced radio/TV technician for help.

The device has been evaluated to meet general RF exposure requirement.

The device can be used in portable exposure condition without restriction.

## Warning

Operating frequency:2402MHz – 2480MHz(BT)

Maximum EIRP Power: 5dBm(BT)

## Declaration of Conformity

GODOX Photo Equipment Co.,Ltd. hereby declares that this equipment are in compliance with the essential requirements and other relevant provisions of Directive 2014/53/EU. In accordance with Article 10(2) and Article 10(10), this product is allowed to be used in all EU member states. For more information of DoC, Please click this web link:

**<https://www.godox.com/eu-declaration-of-conformity/>**

The device complies with RF specifications when the device used at 0mm from your body.

## IC Warning

Le présent appareil est conforme aux CNR d'Industrie Canada applicables aux appareils radio exempts de licence. L'exploitation est autorisée aux deux conditions suivantes:

- (1) l'appareil ne doit pas produire de brouillage, et
- (2) l'utilisateur de l'appareil doit accepter tout brouillage radioélectrique subi, même si le brouillage est susceptible d'en compromettre le fonctionnement

Tout changement ou modification non expressément approuvé par la partie responsable de la réglementation de l'OCDE peut faire perdre à l'utilisateur le droit d'utiliser l'appareil.

Remarque: cet appareil a été testé pour répondre aux limites des appareils numériques de classe B conformément à la partie 15 des règles de la Federal Communications Commission des États - Unis. Ces limites sont conçues pour fournir une protection raisonnable contre les interférences nuisibles dans les installations résidentielles. L'appareil génère de l'énergie RF utilisée et rayonne, ce qui peut causer des interférences nocives pour les communications radio s'il n'est pas installé et utilisé conformément aux instructions. Cependant, aucune Garantie contre les interférences dans une installation spécifique. Si l'appareil cause des interférences nuisibles à la réception de la radio ou de la télévision, qui peuvent être déterminées en éteignant et en allumant l'appareil, l'utilisateur est encouragé à tenter de corriger les interférences par une ou plusieurs des mesures suivantes:

- redirection ou repositionnement de l'antenne de réception.
- augmenter l'espacement entre l'appareil et le récepteur.
- Connecter l'appareil à une prise sur un circuit différent de celui auquel le récepteur est connecté.
- consultez votre revendeur ou un technicien radio / tv expérimenté pour obtenir de l'aide.

Avertissement RF pour les appareils portables:

L'appareil a été évalué pour répondre aux exigences générales d'exposition aux radiofréquences. Équipement Peut être utilisé sans restriction dans des conditions d'exposition portables.

## Warranty

Dear customers, as this warranty card is an important certificate to apply for our maintenance service, please fill in the following form in coordination with the seller and safe-keep it. Thank you!

<b>Product Information</b>	<b>Model</b>	<b>Product Code Number</b>
<b>Customer Information</b>	Name	Contact Number
	Address	
<b>Seller Information</b>	Name	
	Contact Number	
	Address	
	Date of Sale	
<b>Note</b>		

Note: This form shall be sealed by the seller.

### Applicable Products

Applicable Products The document applies to the products listed on the Product Maintenance Information (see below for further information). Other products or accessories (e.g. promotional items, giveaways and additional accessories attached, etc.) are not included in this warranty scope.

### Warranty Period

The warranty period of products and accessories is implemented according to the relevant Product Maintenance Information. The warranty period is calculated from the day (purchase date) when the product is bought for the first time, and the purchase date is considered as the date registered on the warranty card when buying the product.

### How to Get the Maintenance Service

If maintenance service is needed, you can directly contact the product distributor or authorized service institutions. You can also contact the Godox after-sale service call and we will offer you service. When applying for maintenance service, you should provide valid warranty card. If you cannot provide valid warranty card, we may offer you maintenance service once confirmed that the product or accessory is involved in the maintenance scope, but that shall not be considered as our obligation.

### Inapplicable Cases

The guarantee and service offered by this document are not applicable in the following cases: ① **The product or accessory has expired its warranty period;** ② **Breakage or damage caused by inappropriate usage, maintenance or preservation, such as improper packing, improper usage, improper plugging in/out external equipment, falling off or squeezing by external force, contacting or exposing to the improper temperature, solvent, acid, base, flooding and damp environments, etc;** ③ **Breakage or damage caused by non-authorized institution or staff in the process of installation, maintenance, alternation, addition and detachment;** ④ **The original identifying information of product or accessory is modified, alternated, or removed;** ⑤ **No valid warranty card;** ⑥ **Breakage or damage caused by using illegally authorized, nonstandard or non-public released software;** ⑦ **Breakage or damage caused by force majeure or accident;** ⑧ **Breakage or damage that could not be attributed to the product itself.** Once met these situations above, you should seek solutions from the related responsible parties and Godox assumes no responsibility. The damage caused by parts, accessories and software that beyond the warranty period or scope is not included in our maintenance scope. The normal discoloration, abrasion and consumption are not the breakage within the maintenance scope.

## Maintenance and Service Support Information

The warranty period and service types of products are implemented according to the following Product Maintenance Information:

Product Type	Name	Maintenance Period(month)	Warranty Service Type
Parts with electrical properties	Circuit board	12	Customer sends the product to designated site
Other Items	Adapter, cable, reflector, or other packages, etc.	NO	Without warranty

Godox After-sale Service Call +86-755-29609320(8062)



Wechat  
Official Account

### **GODOX Photo Equipment Co., Ltd.**

Add.: Building 2, Yaochuan Industrial Zone, Tangwei Community, Fuhai Street, Bao'an District, Shenzhen  
518103, China Tel: +86-755-29609320(8062) Fax: +86-755-25723423 E-mail: godox@godox.com

**[www.godox.com](http://www.godox.com)**

Made in China | 705-LA60B0-00

