

KanexPro™

Dante powered 2CH Analog Audio Decoder with POE

User Manual

SKU: AUD-DTE-DCODE

Thank you for purchasing this product

For optimum performance and safety, please read these instructions carefully before connecting, operating or adjusting this product. Please keep this manual for future reference.

Surge protection device recommended

This product contains sensitive electrical components that may be damaged by electrical spikes, surges, electric shock, lighting strikes, etc. Use of surge protection systems is highly recommended in order to protect and extend the life of your equipment.

Table of Contents

- 1. Introduction..... 1
- 2. Features.....1
- 3. Package Contents..... 1
- 4. Specifications..... 2
- 5. Operation Controls and Functions..... 3
- 6. Application Example.....4

1. Introduction

This Dante 2CH Analog Audio Decoder is an audio receiver based on the Dante Ultimo solution. It supports balanced/unbalanced audio output and 3-level gain adjustment. It receives audio signals from the transmitting end through network (Dante), then decodes and outputs the audio as analog audio. It supports POE function.

2. Features

- ★ Analog audio output supports balanced/unbalanced audio output (unbalanced access to "+" and "GND")
- ★ Audio sampling rate supports 44.1kHz, 48kHz and 96kHz (24bit)
- ★ Dante solution supports AES67 RTP audio transmission
- ★ Audio output supports 3-level gain adjustment: +18dBu, 0dBu (default) and -10dBV
- ★ Support DC 12V power supply and POE function (IEEE802.3af Class 0)

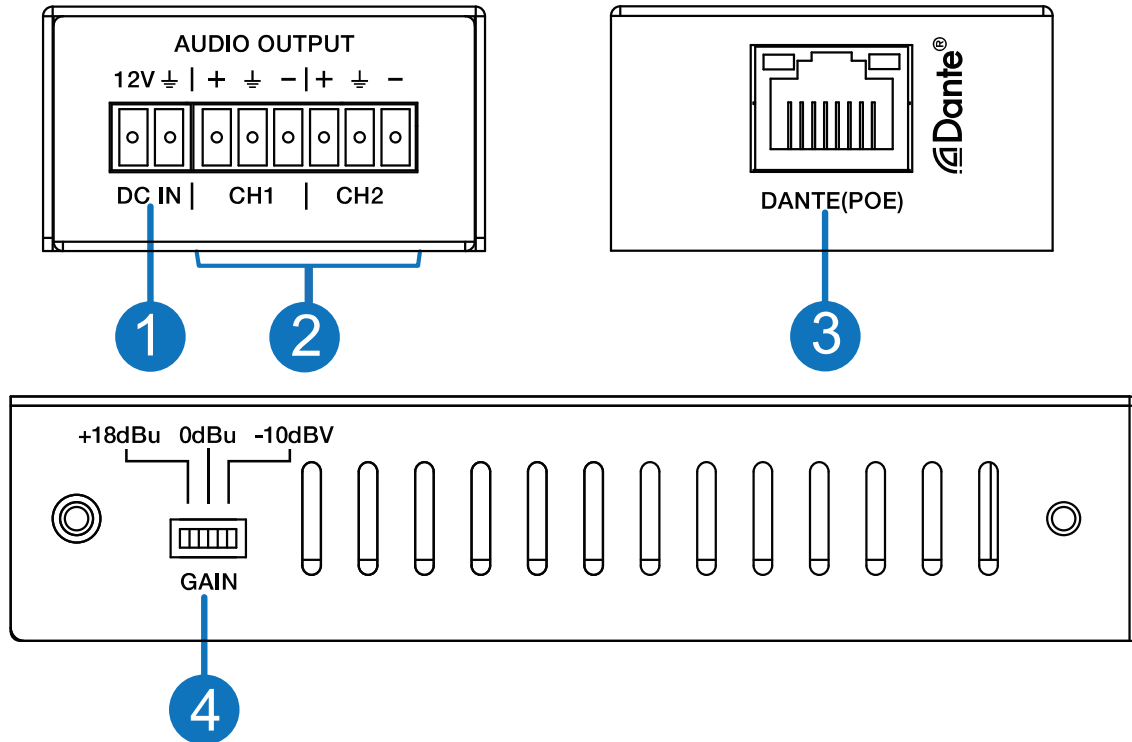
3. Package Contents

- ① 1× Dante 2CH Analog Audio Decoder
- ② 1× 6pin-3.81mm Phoenix Connector (male)
- ③ 1× 2pin-3.81mm Phoenix Connector (male)
- ④ 1× User Manual

4. Specifications

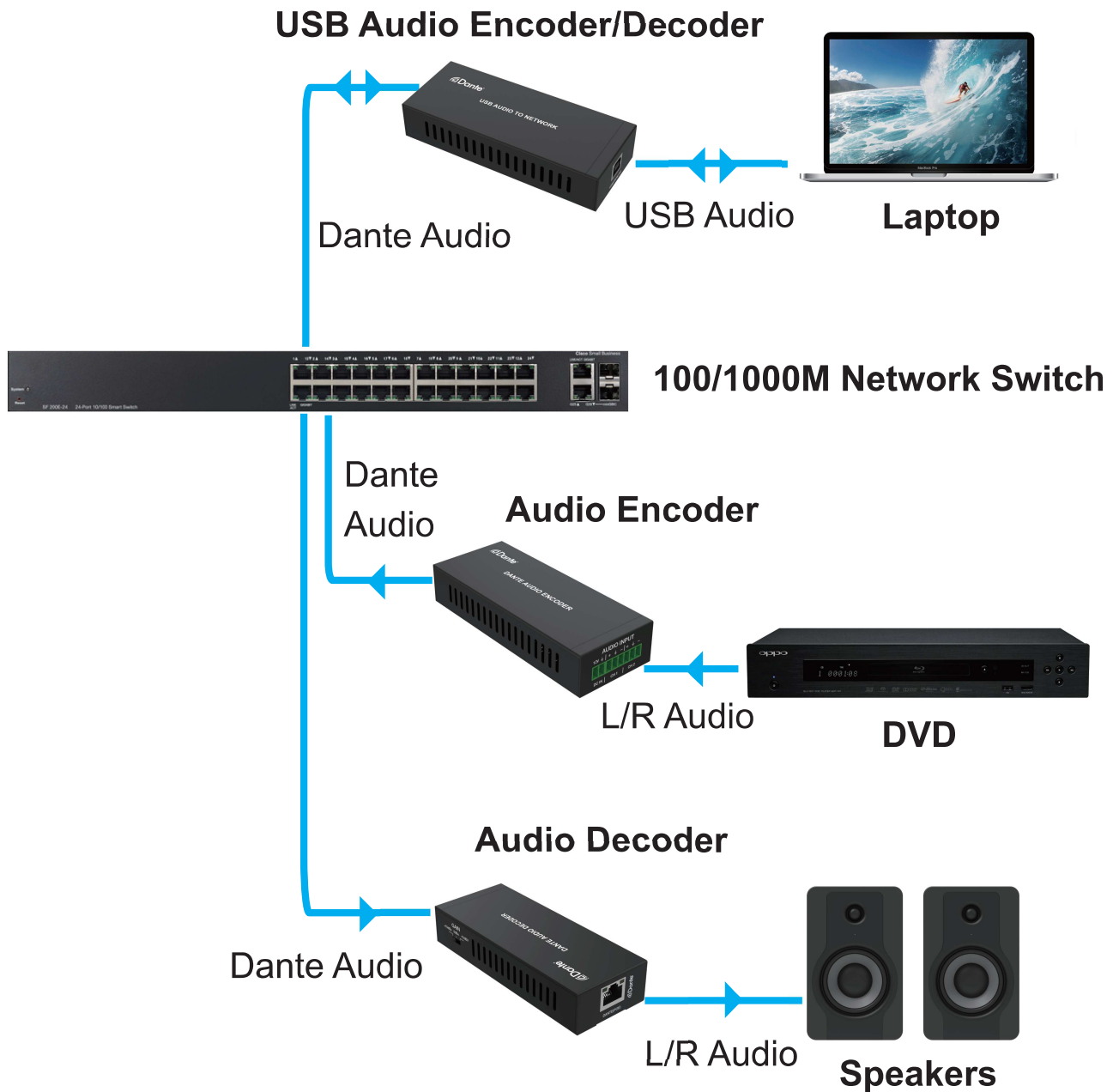
Technical	
Video Network Bandwidth	100M
Audio Formats	PCM 2.0 44.1kHz/48kHz/96kHz up to 24bit
Transmission Distance	100m (CAT6/6A)
Control Method	Dante Controller
Connection	
Inputs	1x DANTE [RJ45 connector, POE] 1x PWR [2-pin phoenix, 3.81mm]
Output	1x AUD [6-pin phoenix, 3.81mm]
Mechanical	
Housing	Metal Enclosure
Color	Black
Dimensions	120mm[W] x 47mm[D] x 26mm[H]
Weight	186g
Power Supply	DC input: 12V POE input: IEEE802.3af Class 0
Power Consumption	1.32W
Operation Temperature	32 - 104°F / 0 - 40°C
Storage temperature	-4 - 140°F / -20 - 60°C
Relative Humidity	20 - 90% RH (no condensation)

5. Operation Controls and Functions



No.	Name	Function Description
1	DC IN	DC 12V power input port.
2	AUDIO OUTPUT (CH1/CH2)	2 channel analog audio output ports, supporting balanced and unbalanced audio.
3	DANTE (POE)	Dante digital audio input port. Connect to the Network Switch through RJ45 line, supporting PD power supply. The green LINK LED is always on after normal connection. The yellow DATA LED is flashing when there is data transmission.
4	GAIN switch	Used for audio output gain adjustment, respectively +18dBu, 0dBu (default), -10dBV.

6. Application Example



Trademarks

Dante® is registered trademark of Audinate Pty Ltd. All other trademarks are the property of their respective owners.