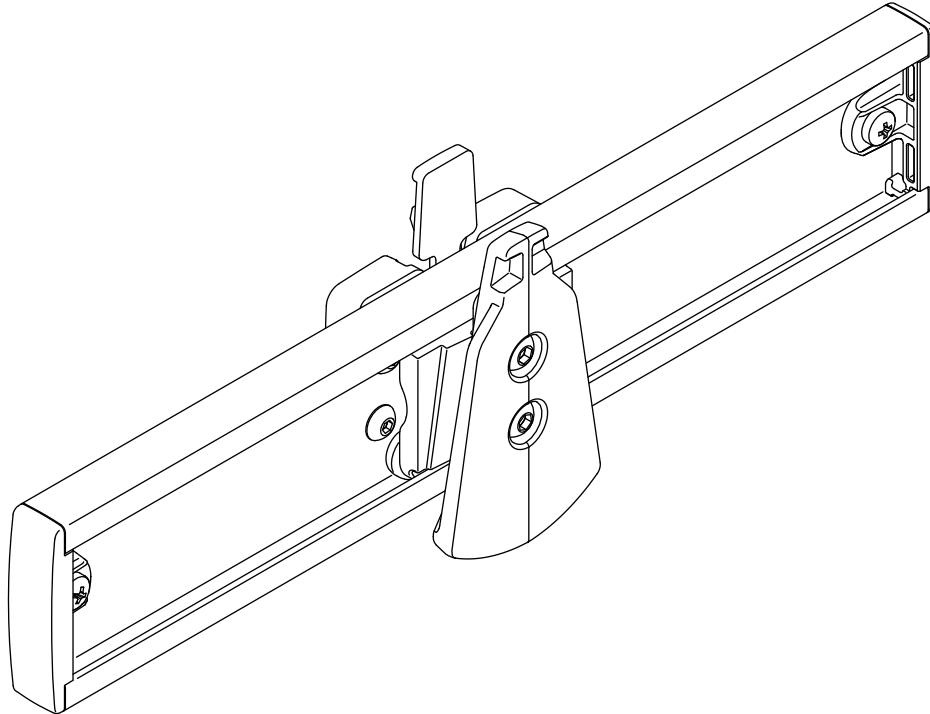
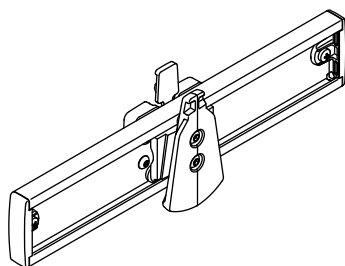


## Slider



### COMPONENT CHECKLIST



**A**  
Slider  
(x1)

Desk 

### WEIGHT RANGE

#### Flat Monitors

0 - 8kg  
(4.4 - 17.6lbs)

#### Curved Monitors

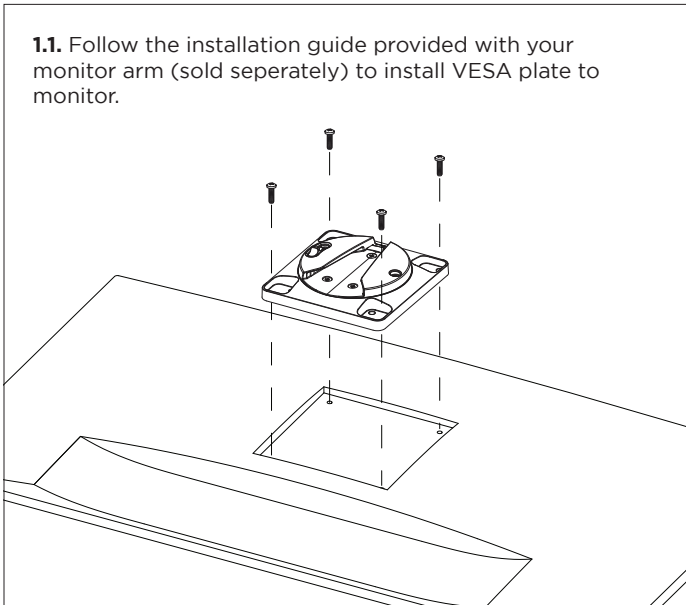
0 - 8kg  
(4.4 - 17.6lbs)

Monitor weight should be within the weight range of all modular elements that make up the complete monitor mounting solution.

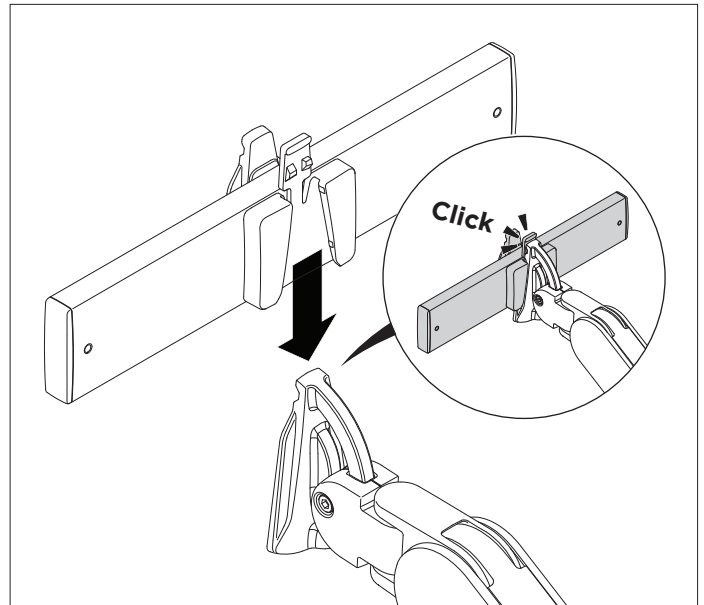
### IMPORTANT INFORMATION

- ! **Please ensure this product is installed as per these installation instructions.**
- ! The manufacturer accepts no responsibility for incorrect installation.
- ! This product is compatible with Atdec Ora and AWM Series products.
- ! This product is not suitable for outdoor use or mobile applications.
- ! VESA mounted accessories (such as mini PC brackets and mounts), offset VESA locations, and unevenly weighted monitors (relative to the center of the VESA mounting interface) exert additional leverage that can exceed the capacity of the mount even though the monitor weight may be within the stated range. Please contact Atdec if you would like further information.

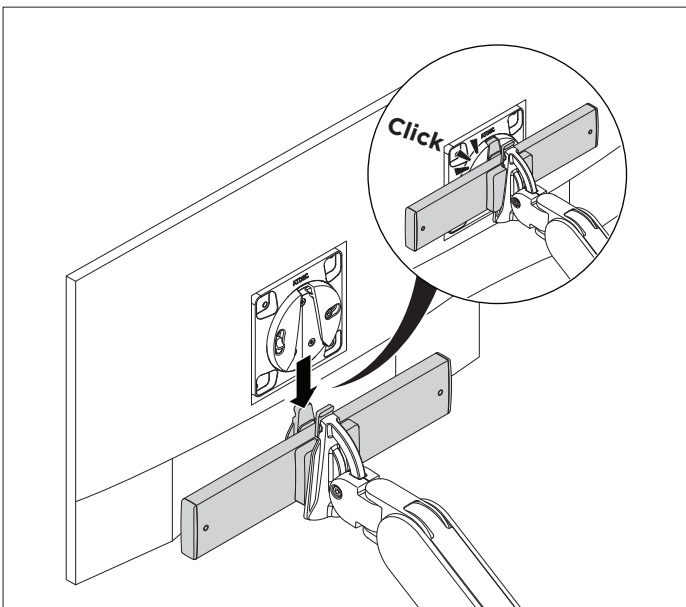
## 1. Install VESA Plate to Monitor



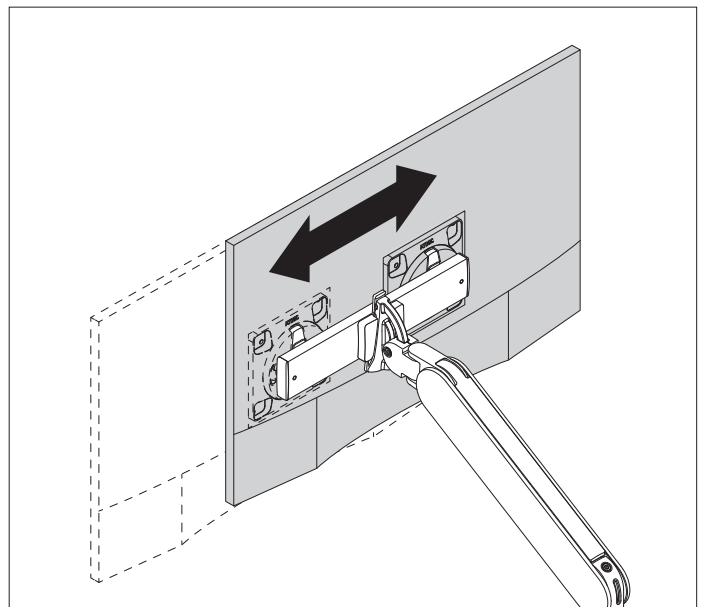
## 2. Attach Slider to Arm



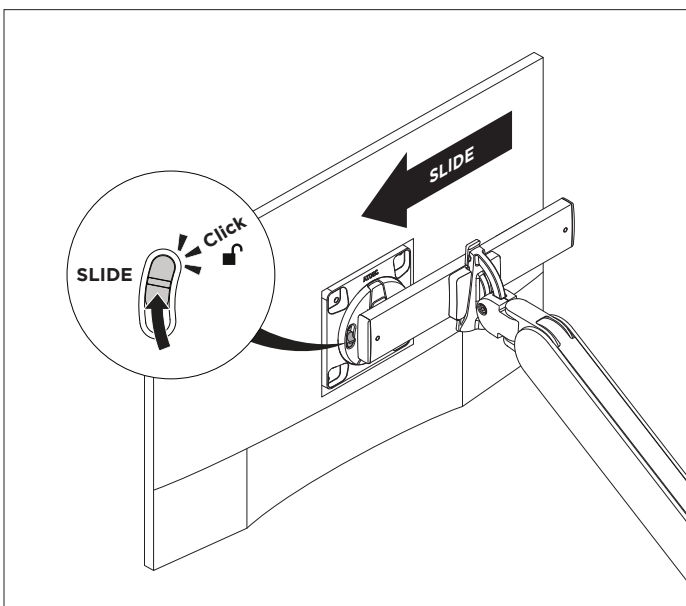
## 3. Install Monitor to Slider



## 4. Adjust Monitor Position



## 5. Remove Monitor



## 6. Remove Slider

