

Please scan this QR code
to visit the product page.

Under Cabinet Folding Display Mount



HAVE QUESTIONS?

Monday - Friday from 8:00am - 4:00pm PST



support@mount-it.com



(855) 925-5668



www.mount-it.com

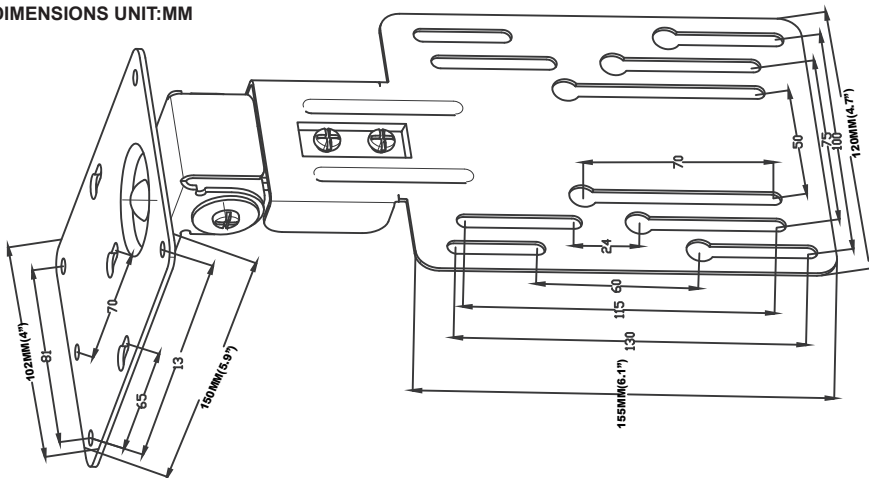
NOTE: Read the entire instruction manual before you start installation and assembly.

WARNING

- Do not begin the installation until you have read and understood all the instructions and warnings contained in this installation sheet. If you have any questions regarding any of the instructions or warnings, please contact Mount-It.
- This mounting bracket was designed to be installed and utilised **ONLY** as specified in this manual. Improper installation of this product may cause damage or serious injury.
- This product should only be installed by someone with good mechanical ability who has basic building experience and fully understands this manual.
- Make sure that the supporting surface will safely support the combined weight of the equipment and all attached hardware and components.
- Always use an assistant or mechanical lifting equipment to safely lift and position the equipment.
- Tighten screws firmly, but do not over tighten. Over tightening can cause damage to the items, This greatly reduces their holding power.
- This product is intended for indoor use only. Using this product outdoors could lead to product failure and personal injury.

DIMENSIONS & WEIGHT CAPACITY

DIMENSIONS UNIT:MM



Total Under-cabinet weight capacity is 17.6lbs.

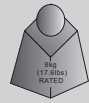
MI-4200



50x50
75x75
100x100



23"
MAX

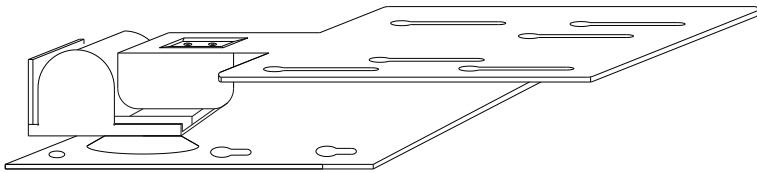


Big
(170cm)
RATED

WARNING: This installation manual is intended to provide guidance on how to install the TV mount and the TV on a suitable wall. Please contact a qualified professional if you are unsure of the steps described in the manual or have doubts about the safety of the installation. Improper installation may cause damage or serious injury. We cannot be held liable for damage or injury caused by improper mounting. Incorrect assembly, inappropriate use or for use cases not explicitly specified in this document. If unsure, please contact us at www.mount-it.com. Email at support@mount-it.com, or call us at **(855) 925-5668**

CHOKING HAZARD. Package includes small parts. Not for children under 3 years. Adult supervision is required

PACKAGE CONTENTS



Mount A(x1)

VESA HARDWARE



M4X14MM
B(x4)



M4X14MM
C(x4)



M5 WASHER
D(x4)

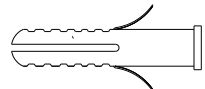
WALL MOUNTING HARDWARE



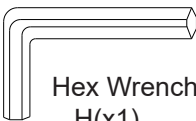
M5.8X19MM
Cabinet Mounting Screw
E(x6)



M6X55MM
Lag Screw
F(x6)



Concrete Anchor
G(x6)

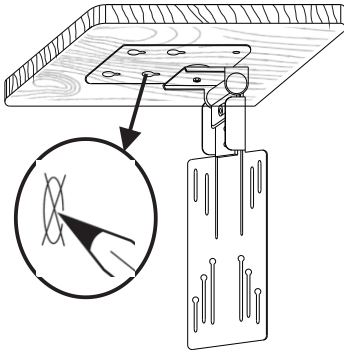
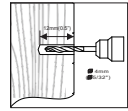


Hex Wrench
H(x1)

Check carefully to make sure there are no missing or defective parts. Some hardware provided may not be used. Use the correct wall mounting and TV mounting hardware suitable for your installation.

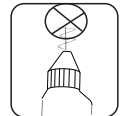
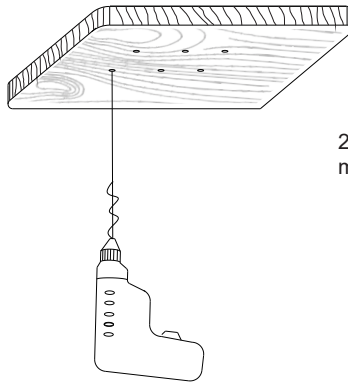
Missing Parts? Call us at (855) 925-5668 and we will ship replacement parts free of charge.

1a. Cabinet or Solid Wood Installation Option

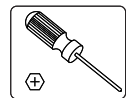


1. Hold the Mount (#A) on the underside of the cabinet or other solid wood surface in the desired location. Mark the center of all 6 mounting holes with a pencil.

Note: Ensure the mounting location of the bracket is suitable both in the folded/stowed position and when unfolded and in use.

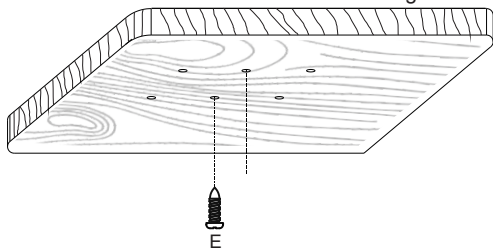
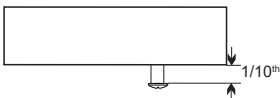


2. Use a 5/32" drill bit and drill on the marked locations to a depth of 0.5"

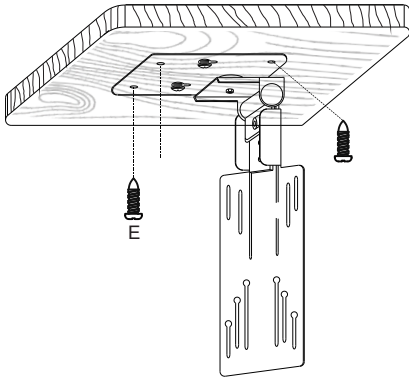


3. Partially install the 2 middle Cabinet Mounting Screws (#E) only, leaving a gap of approximately 1/10th of an inch between the bottom of the screw head and the mounting surface.

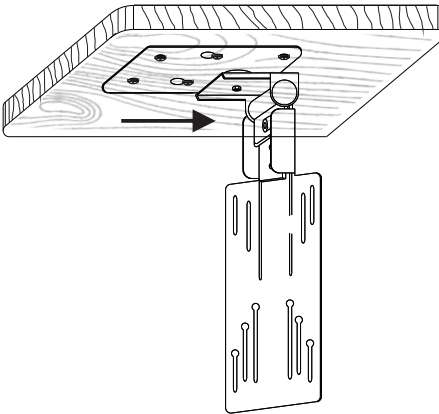
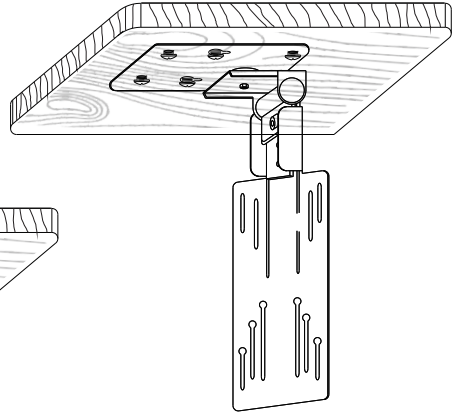
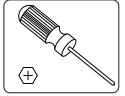
Tighten the screws leaving a 1/10th inch gap



Attach the Mount



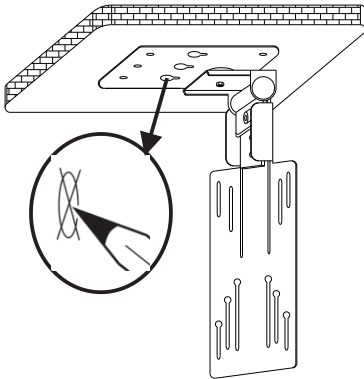
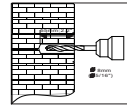
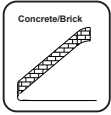
- Place the mount over the Screws so that it passes through the two middle holes, then slide the mount back so that the bolts rest in the smaller end of the holes.
- Install the other 4 screws and tighten all 6 screws until secure. Do not overtighten.



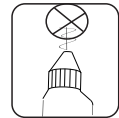
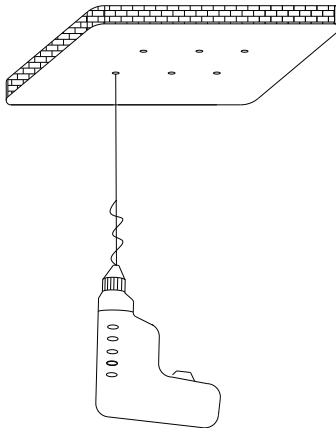
WARNING

- Installers are responsible for providing any hardware for other mounting situations not shown in this manual.
- Installers must verify that the supporting surface will safely support the combined weight of the equipment and all attached hardware and components.

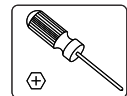
1b. Concrete/Brick Mounting Option



1. Hold the Mount (#A) on the concrete/brick surface in the desired location. Mark the center of all 6 mounting holes with a pencil. Note: Do not drill mounting holes into mortar (such as between bricks or stones) only drill and install into solid stone or concrete surfaces. Ensure the mounting location of the bracket is suitable both in the folded/stowed position and when unfolded and in use.

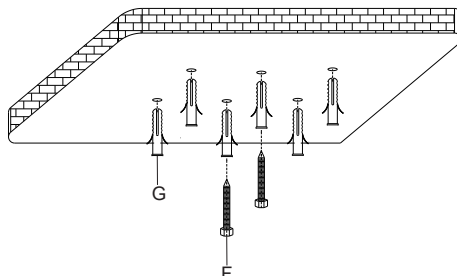
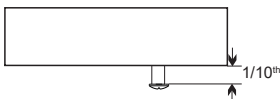


2. Use a 5/16" drill bit and drill on the marked locations to a depth of 2.2".

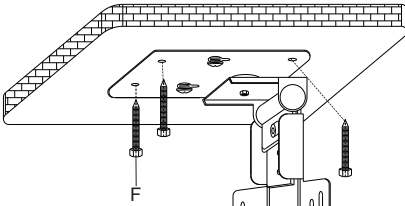


3. Insert Concrete Anchors (#G) into all 6 holes. Partially install the 2 middle Lag Screws (#F) only, leaving a gap of approximately 1/10th of an inch between the bottom of the screw head and the mounting surface.

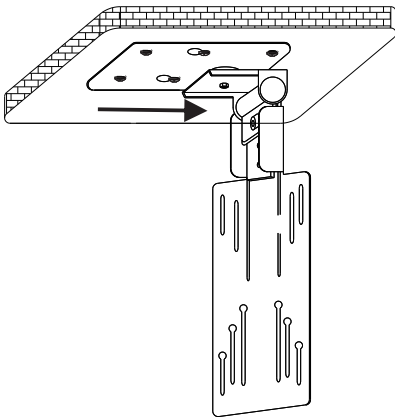
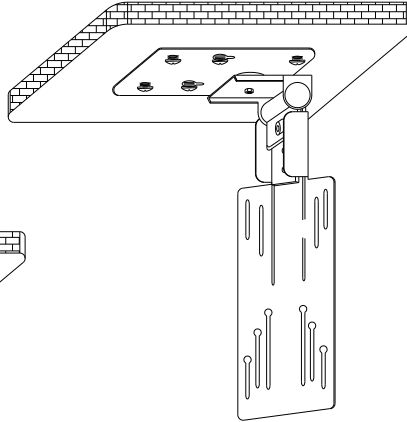
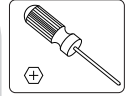
Tighten the screws leaving a 1/10th inch gap



Attach the Mount



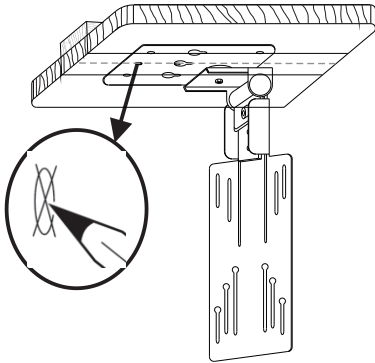
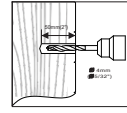
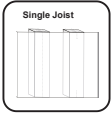
- Place the mount over the Screws so that it passes through the two middle holes, then slide the mount back so that the bolts rest in the smaller end of the holes.
- Install the other 4 screws and tighten all 6 screws until secure. Do not overtighten.



WARNING

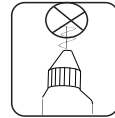
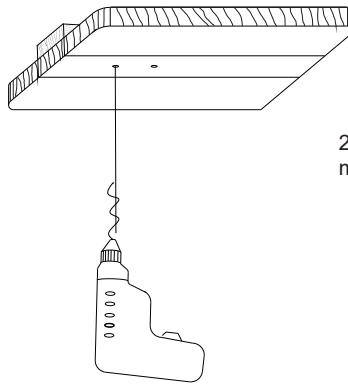
- Installers are responsible for providing any hardware for other mounting situations not shown in this manual.
- Installers must verify that the supporting surface will safely support the combined weight of the equipment and all attached hardware and components.

1 c. Single Joist Installation

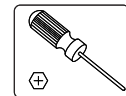


1. Hold the Mount (#A) on the Single Joist surface in the desired location.

Mark the center of all 2 mounting holes with a pencil. Note: Do not drill mounting holes into mortar (such as between bricks or stones) only drill and install into solid stone or concrete surfaces. Ensure the mounting location of the bracket is suitable both in the folded/stowed position and when unfolded and in use.

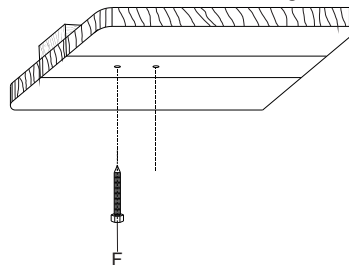
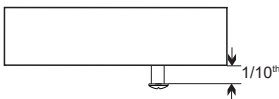


2. Use a 5/32" drill bit and drill on the marked locations to a depth of 2"

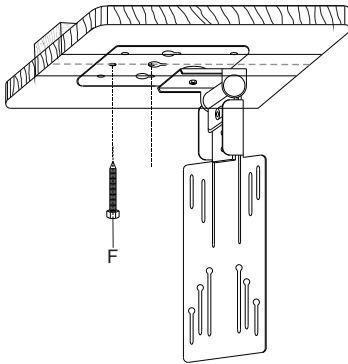


3. Partially install the 2 middle Cabinet Mounting Screws (#F) only, leaving a gap of approximately 1/10th of an inch between the bottom of the screw head and the mounting surface.

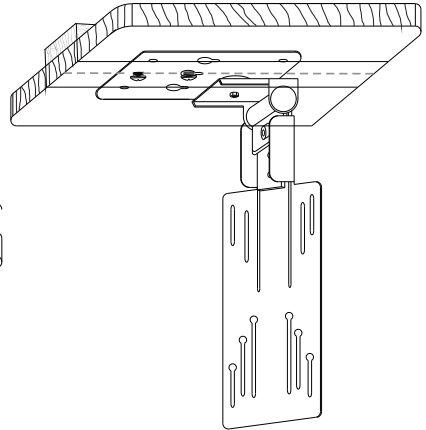
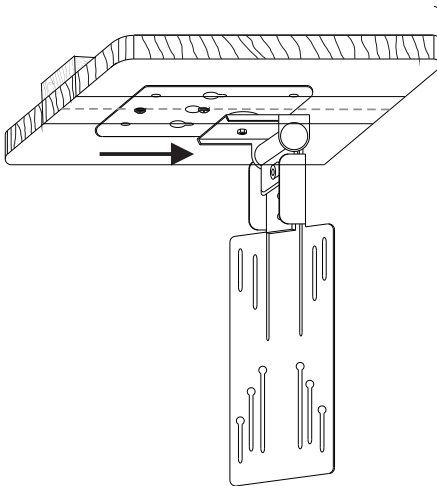
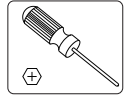
Tighten the screws leaving a 1/10th inch gap



Attach the Mount



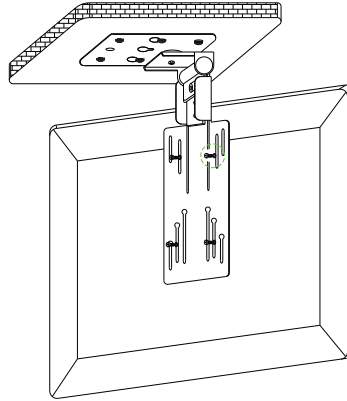
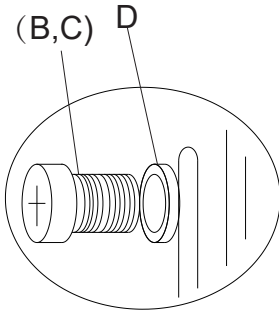
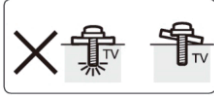
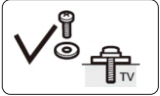
- Place the mount over the Screws so that it passes through the two middle holes, then slide the mount back so that the bolts rest in the smaller end of the holes.
- Install the 2 screws and tighten all 2 screws until secure. Do not overtighten.



WARNING

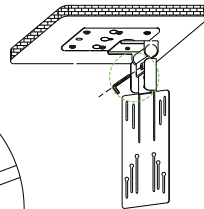
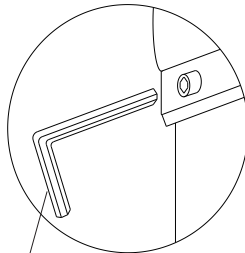
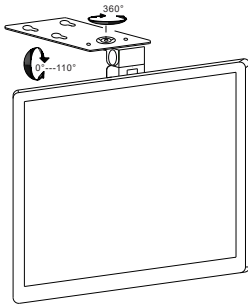
- Installers are responsible for providing any hardware for other mounting situations not shown in this manual.
- Installers must verify that the supporting surface will safely support the combined weight of the equipment and all attached hardware and components.

2. Attaching the Display to the VESA Plate



Select the appropriate size mounting bolt (Select one size #B or #C) and washer (#D) for your display's mounting holes and verify the length of the VESA bolt is not too long. If you are unsure of the correct bolt size for your display refer to your display's user manual or contact the display's manufacturer for sizing information. Attach the VESA Plate using the selected bolts and tighten until secure. Do not overtighten.

3. Final Adjustments



The mount can swivel 360 degrees and can be folded up for storage or to save space. The folding movement of the mount should be firm enough to hold the TV in the folded/stored position. If not, adjust the bolt shown in the magnification bubble as needed to either tighten or loosen the movement.

Maintenance

- Check that the bracket is secure and safe to use at regular intervals (at least every three months).
- Please contact Mount-It! if you have questions.

Revision Date: 2022/11/28