

Please scan this QR code to visit the product page.

FOLDING UNDER CABINET AND CEILING TV MOUNT



HAVE QUESTIONS?

Monday - Friday from 8:00am - 4:00pm PST



support@mount-it.com



(855) 925-5668



www.mount-it.com

Thank you for choosing Mount-It!

EN Read the entire instruction manual before you start installation and assembly. If you have any questions regarding any of the instructions or warnings, please contact Mount-It! for assistance.

- CAUTION:** Use with products heavier than the rated weights indicated may result in instability causing possible injury.
- Please closely follow the assembly instructions. Improper installation may result in damage or serious personal injury.
 - Safety gear and proper tools must be used. This product should only be installed by professionals.
 - This product is designed to be installed on solid concrete walls, masonry walls or wood stud walls.
 - Make sure that the supporting surface will safely support the combined weight of the equipment and all attached hardware and components.
 - Use the mounting screws provided and DO NOT OVER-TIGHTEN mounting screws.
 - This product contains small items that could be a choking hazard if swallowed. Keep these items away from children.
 - This product is intended for indoor use only. Using this product outdoors could lead to product failure and personal injury.
- IMPORTANT:** Ensure that you have received all parts according to the component checklist prior to installation. If any parts are missing or faulty, contact Mount-It! for a replacement.
- MAINTENANCE:** Check that the product is secure and safe to use at regular intervals (at least every three months).

DE Lesen Sie die gesamte Bedienungsanleitung, bevor Sie mit der Installation und Montage beginnen. Wenn Sie Fragen zur Anleitung oder Warnungen haben, wenden Sie sich bitte an Ihren örtlichen Händler.

- VORSICHT:** Die Verwendung mit Produkten, die schwerer als die angegebenen Nenngewichte sind, kann zu Instabilität führen und zu möglichen Verletzungen führen.
- Bitte befolgen Sie die Montageanleitung genau. Eine unsachgemäße Installation kann zu Schäden oder schweren Verletzungen führen.
 - Sicherheitsausrüstung und geeignete Werkzeuge müssen verwendet werden. Dieses Produkt sollte nur von Fachleuten installiert werden.
 - Dieses Produkt ist auf massiven Betonwänden oder Mauerwerkswänden zu montieren.
 - Stellen Sie sicher, dass die Auflagefläche des Gesamtgewichts des Geräts und aller angeschlossenen Hardware und Komponenten sicher trägt.
 - Verwenden Sie die mitgelieferten Befestigungsschrauben und die Befestigungsschrauben NICHT ZU FEST ANZIEHEN.
 - Dieses Produkt enthält Kleinteile, die beim Verschlucken eine Erstickungsgefahr darstellen können. Halten Sie diese Gegenstände von Kindern fern.
 - Dieses Produkt ist nur für den Innenbereich bestimmt. Die Verwendung dieses Produkts im Freien kann zu Produktversagen und Verletzungen führen.
- WICHTIG:** Stellen Sie vor der Installation sicher, dass Sie alle Teile gemäß der Komponenten-Checkliste erhalten haben. Bei beschädigten oder fehlenden Teilen, wenden Sie sich an Ihre Verkaufsstelle, um Ersatz zu erhalten.
- WARTUNG:** Überprüfen Sie das Produkt in regelmäßigen Abständen auf Sicherheit und Stabilität (am besten alle drei Monate).

FR Lisez entièrement le guide d'utilisateur avant de commencer l'installation et le montage. Si vous avez des questions concernant les instructions ou les avertissements, veuillez contacter votre distributeur local pour une assistance.

- ATTENTION:** L'utilisation de produits plus lourds que les poids nominaux indiqués peut entraîner une instabilité causant des blessures potentielles.
- Les supports doivent être joints comme spécifié dans les instructions de montage. Une mauvaise installation peut entraîner des dommages ou de graves blessures aux personnes.
 - Un équipement de sécurité et les outils appropriés doivent être utilisés. Ce produit devrait être installé uniquement par des professionnels.
 - Ce produit est conçu pour être installé sur des murs avec poteaux en bois, des murs en béton massif ou murs en brique.
 - Assurez-vous que la surface de soutien de sécurité supporte le poids combiné de l'équipement et de tous les matériaux et composants associés.
 - Utilisez les vis de montage fournies et NE SERREZ PAS TROP les vis de montage.
 - Ce produit contient de petites pièces qui peuvent causer un étouffement si elles sont avalées. Éloignez ces pièces des enfants.
 - Ce produit est prévu uniquement pour une utilisation à l'intérieur. L'utilisation de ce produit à l'extérieur peut entraîner une défaillance du produit ou des blessures aux personnes.
- IMPORTANT:** Avant l'installation, assurez-vous que vous avez reçu toutes les pièces selon la liste de vérification des composants. Si une pièce est manquante ou endommagée, téléphonez à votre distributeur local pour qu'il la remplace.
- MAINTENANCE:** A intervalles réguliers (au moins tous les trois mois) vérifiez que le support est d'utilisation sûre et fiable.

RU Перед началом установки и сборки прочитайте руководство по установке. Если у Вас возникли какие-либо вопросы относительно инструкций или предупреждений, свяжитесь с Вашим местным распространителем для получения помощи.

- Внимание:** Использование продукта, вес которого превышает указанный расчетный вес, может привести к неустойчивости и возможным травмам.
- Опоры должны быть установлены, как это показано в монтажных инструкциях. Неправильная установка может привести к получению серьезных травм.
 - Необходимо использовать предохранительное устройство и специальные инструменты. Продукт должен устанавливаться только профессионалами.
 - Продукт предназначен для установки на деревянные каркасные стены, твердые цементные стены или кирпичные стены.
 - Убедитесь, что несущая поверхность выдержит вес всего установленного оборудования и комплектующих.
 - Необходимо использовать монтажные винты, входящие в комплект поставки, и НЕ ПЕРЕТЯГИВАТЬ монтажные винты.
 - Данный продукт содержит мелкие детали, которые представляют опасность удушья при проглатывании. Такие детали необходимо хранить в недоступном для детей месте.
 - Данный продукт предназначен только для эксплуатации в помещениях. Использование данного продукта на улице может привести к поломке продукта и получению травм.
- ВАЖНО:** Перед установкой убедитесь, что Вы получили все детали в соответствии со списком комплектующих. Если не хватает каких-либо деталей или они поломаны, свяжитесь с Вашим местным распространителем по вопросу замены.
- ТЕХНИЧЕСКОЕ ОБСЛУЖИВАНИЕ:** Необходимо регулярно проверять (как минимум, раз в три месяца), чтобы крепежный был зафиксирован, и его использование было безопасным.

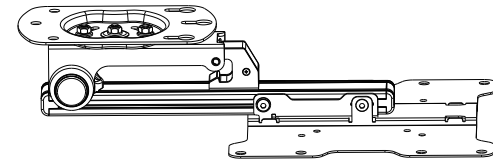
ES Lea todo el manual de instrucciones antes de comenzar la instalación y ensamble de la unidad. Si tiene alguna inquietud con respecto a las instrucciones o advertencias, comuníquese con su distribuidor local.

- PRECAUCIÓN:** utilizar con productos de mayor peso al indicado en los límites de peso podría ocasionar inestabilidad y posibles heridas personales.
- Los soportes deben instalarse tal como se indica en las instrucciones de ensamble. Una incorrecta instalación podría ocasionar daños y serias heridas personales.
 - Utilice las herramientas y equipo de seguridad adecuados. Este producto solo debe ser instalado por profesionales.
 - Este producto está diseñado para instalaciones en paredes de madera sólida, concreto sólido o bloques.
 - Asegúrese de que la superficie de fijación sostenga de manera segura el peso total del equipo y todos sus componentes y hardware.
 - Utilice los tornillos de ensamble suministrados y NO aplique demasiada tensión a los tornillos.
 - Este producto contiene piezas pequeñas que representan un riesgo de asfixia. Mantenga estas piezas fuera del alcance de los niños.
 - Este producto está diseñado para uso en interiores solamente. Utilizar este producto en exteriores podría ocasionar fallas y heridas personales.
- IMPORTANTE:** Asegúrese de que haya recibido todas las piezas según la lista de verificación de componentes para la instalación. Si falta alguna de las partes, o está dañada, comuníquese con su distribuidor.
- MANUTENIMIENTO:** Compruebe periódicamente que el soporte esté asegurado y listo para usar (al menos cada tres meses).

PT Leia todo o manual de instruções antes de iniciar a instalação e montagem. Se você tiver alguma dúvida sobre quaisquer uma das instruções ou avisos, por favor, entre em contato com o seu distribuidor local para assistência.

- ATENÇÃO:** O uso com produtos mais pesados do que os pesos indicados pode resultar em instabilidade, causando possíveis danos.
- Os suportes devem ser anexados como especificado nas instruções de montagem. A instalação incorreta pode causar danos ou sérias lesões pessoais.
 - Equipamentos de segurança e ferramentas adequadas devem ser utilizadas. Este produto só deve ser instalado por profissionais.
 - Este produto é projetado para ser instalado em pilares verticais de paredes de madeira, paredes de concreto sólido ou de tijolos.
 - Certifique-se que a superfície de suporte suportará com segurança o peso combinado do equipamento e todas as ferragens e componentes anexados.
 - Use os parafusos de montagem fornecidos e NÃO APERTE EXCESSIVAMENTE os mesmos.
 - Este produto contém pequenas peças que podem causar asfixia se ingeridas. Mantenha esses itens longe do alcance de crianças.
 - Este produto destina-se somente para uso interno. Usá-lo em ambiente externo pode causar falhas no produto e lesões pessoais.
- IMPORTANTE:** Asegure-se que você recebeu todas as peças, de acordo com a lista de componentes, antes da instalação. Se alguma peça estiver faltando ou é defeituosa, contate o seu distribuidor local para substituição.
- MANUTENÇÃO:** Certifique-se que o suporte seja seguro e protegido para o uso em intervalos regulares (pelo menos a cada três meses).

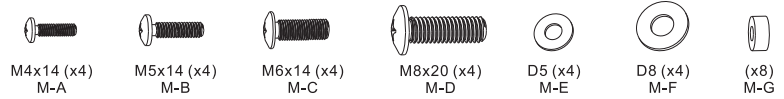
Mount and Accessories



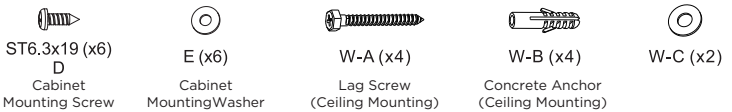
A (x1)
Mount

- 4mm (x1)
B
- 4mm Allen Wrench
- 6mm (x1)
C
- 6mm Allen Wrench

TV Mounting Hardware



Cabinet/Ceiling Mounting Hardware

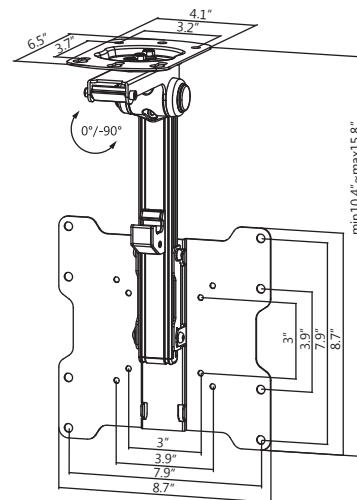


Check carefully to make sure there are no missing or defective parts. Some hardware provided may not be used. Use the correct wall mounting and TV mounting hardware suitable for your installation.

CHOKING HAZARD. Package includes small parts. Not for children under 3 years. Adult supervision is required.

Missing Parts? Call us at (855) 925-5668 and we will ship replacement parts free of charge.

DIMENSIONS & WEIGHT CAPACITY



Rated weight capacity is 44lbs*.
Caution: Weight capacity is for the MOUNT ONLY. Ensure all mounting surfaces are capable of holding the weight of your TV+Mount. DO NOT EXCEED MAXIMUM LISTED WEIGHT CAPACITY. SERIOUS INJURY OR PROPERTY DAMAGE MAY OCCUR!

COMPATIBLE VESA SIZES

75x75 100x100
200x100 200x200

**COMPATIBLE WITH
TVs UP TO**

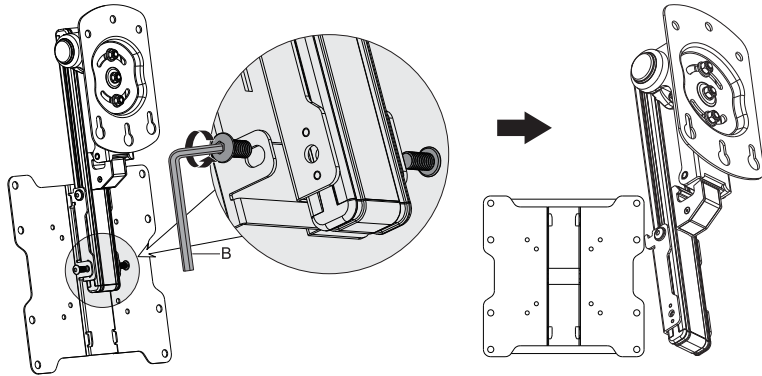
37"
MAX
FLAT/CURVED

**20 kg
(44 lbs)
RATED**

Step 1

Removing the VESA Plate

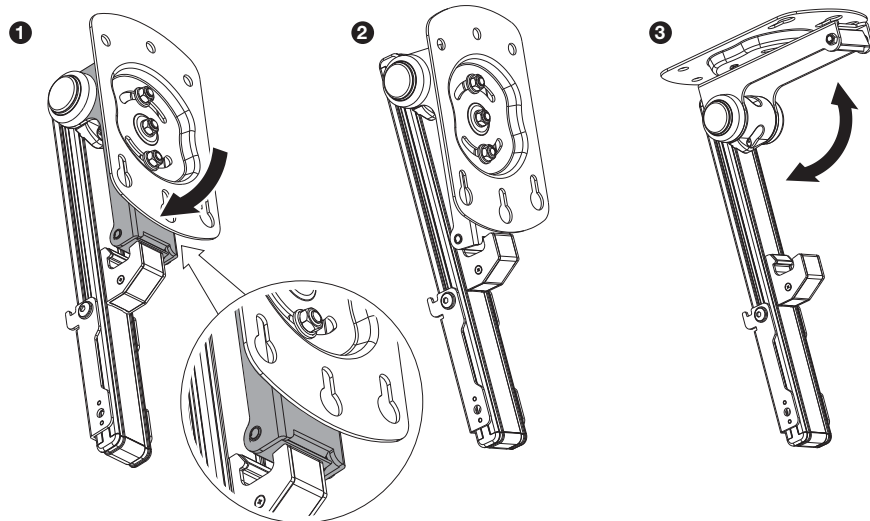
- Using 4mm Allen Wrench (#B) remove the bolts shown in the magnification bubble to remove the VESA plate from the Mount (#A). Set the removed bolts aside, they will be used to re-connect these pieces in step 5.



Step 2

Releasing the Latch

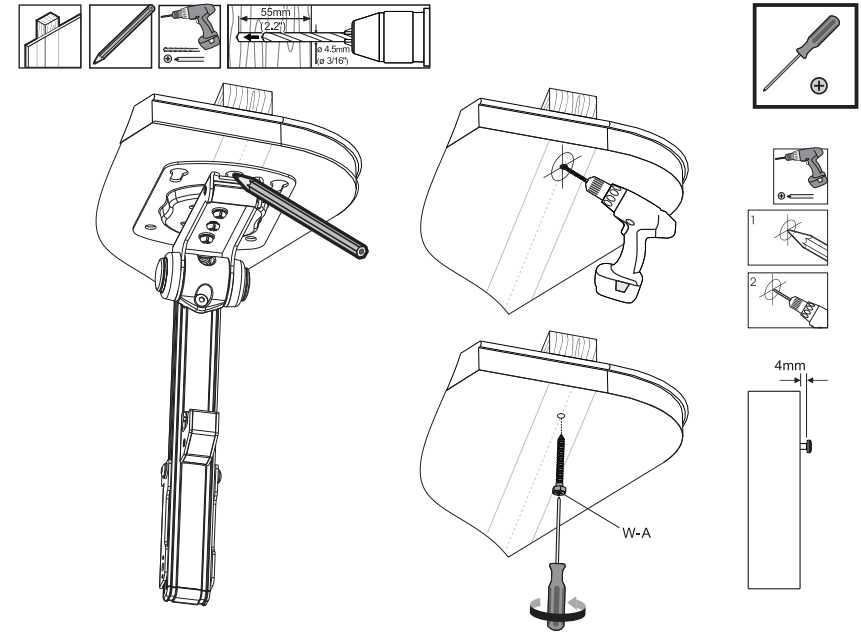
- Release the latch to unfold the mount by pressing the folded mount inward until the latch releases. Then pull the mount outward until it has been fully unfolded.



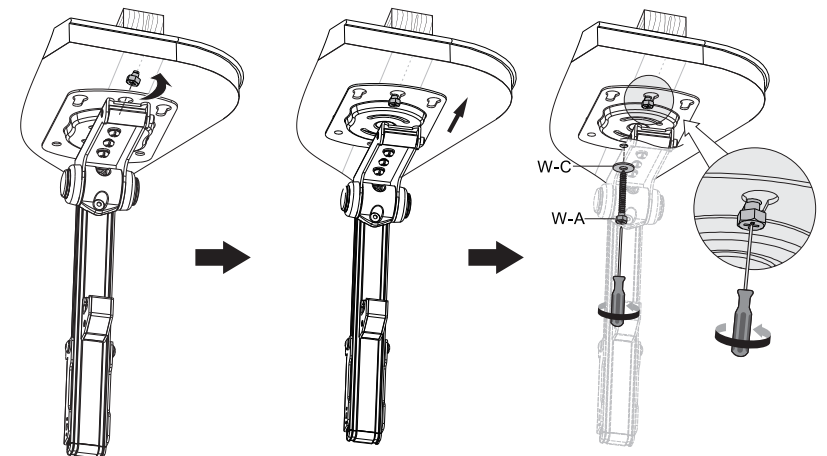
Step 3a

Wood Stud/Solid Wood Mounting Option

- With a stud finder locate the stud and hold the Mount (#A) on the stud in the desired location. Mark the center of the middle teardrop shaped hole. You may need to rotate the mount arm to access the screw hole.
- Use a 3/16" drill bit and drill on the marked locations to a depth of 2.2"
- Install 1 Lag Screw (#W-A) but do not fully tighten. Leave a gap of approximately 0.15" (4mm).



- Place the mount over the Screw so that it passes through the middle of the three teardrop shaped holes, then slide the mount back so that the bolt rests in the smaller end of the hole.
- On the other side of the bracket, through the middle of the 3 bolt holes install the second Lag Screw (#W-A) and 1 Washer (#W-C) and tighten both bolts until secure.



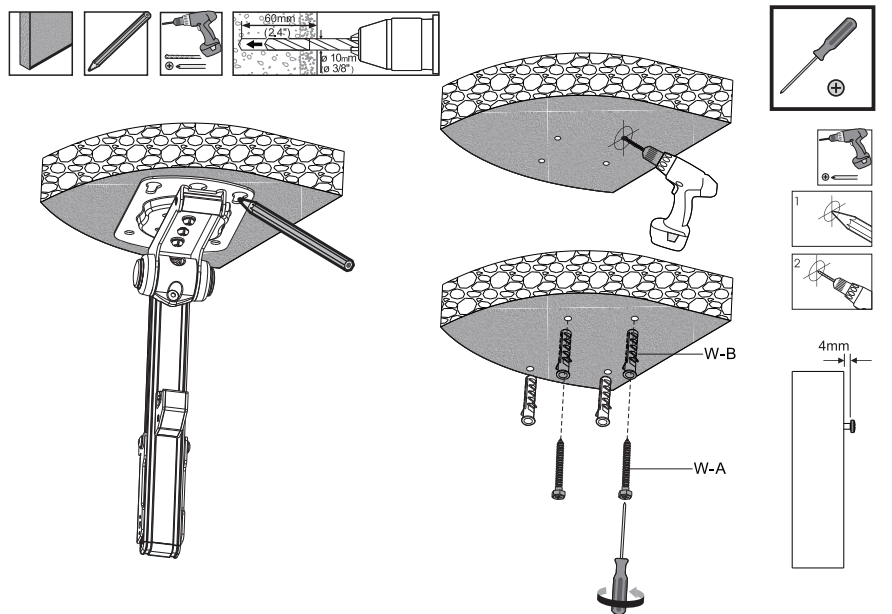
Step 3b

Concrete/Brick Mounting Option

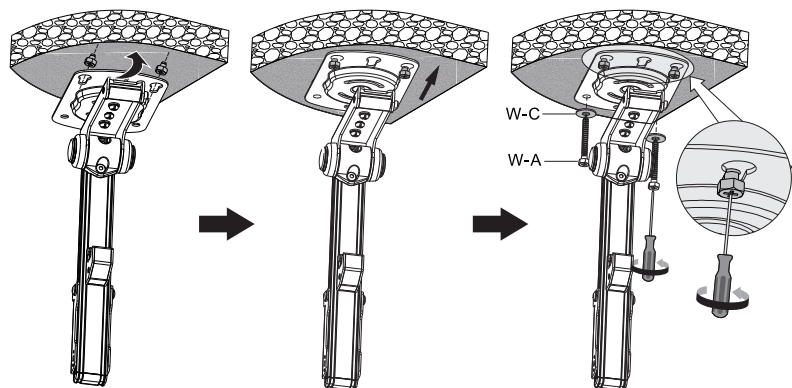
- Hold the Mount (#A) to the desired location on the wall and mark the center of the mounting holes with a pencil. Only mark the 4 outer mounting screw locations, the middle two holes will not be used.
- Use a 3/8" drill bit and drill on the marked locations to a depth of 2.4". Clear any dust and debris from the holes and insert the Concrete Anchors (#W-B).

Note: Do not drill mounting holes into mortar (such as between bricks or stones) only drill and install into solid stone or concrete surfaces.

- Install 2 of Lag Screw (#W-A) to the location corresponding with the two teardrop shaped holes, but do not fully tighten. Leave a gap of approximately 0.15" (4mm).



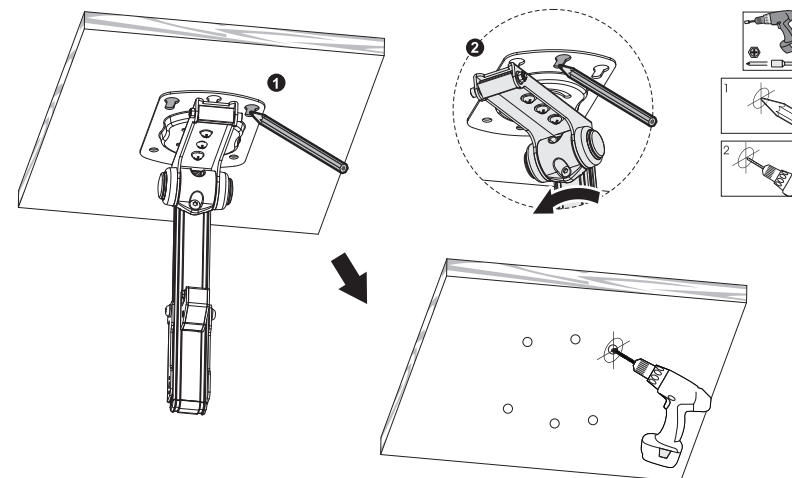
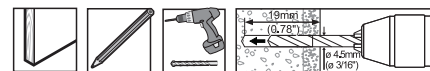
- Place the mount over the Screws so that it passes through the teardrop shaped holes, then slide the mount back so that the bolt rests in the smaller end of the hole.
- Install the final two Lag Screws (#W-A) and 2 Washers (#W-C) and tighten all bolts until secure. Do not overtighten.



Step 3c

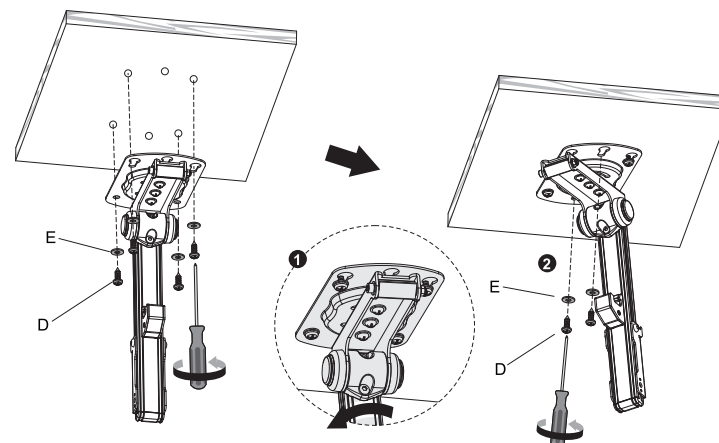
Cabinet or Solid Wood Installation

- Hold the Mount (#A) on the underside of the cabinet or other solid wood surface in the desired location. Mark the center of all 6 mounting holes, ignoring the larger opening of the teardrop shaped holes, instead marking the center of the other end. You may need to rotate the mount arm to access the screw holes.
- Use a 3/16" drill bit and drill on the marked locations to a depth of 0.78"



- Rotate the arm so that the outer 4 holes are accessible (as shown in magnification bubble 1) and install the mount to the pre-drilled holes using 4 Cabinet Mounting Washers (#E) and 4 Cabinet Mounting Screws (#D) and tighten until secure.
- Rotate the arm again to access the final two holes, and install the next two Washers (#E) and Screws (#D) then tighten until secure.

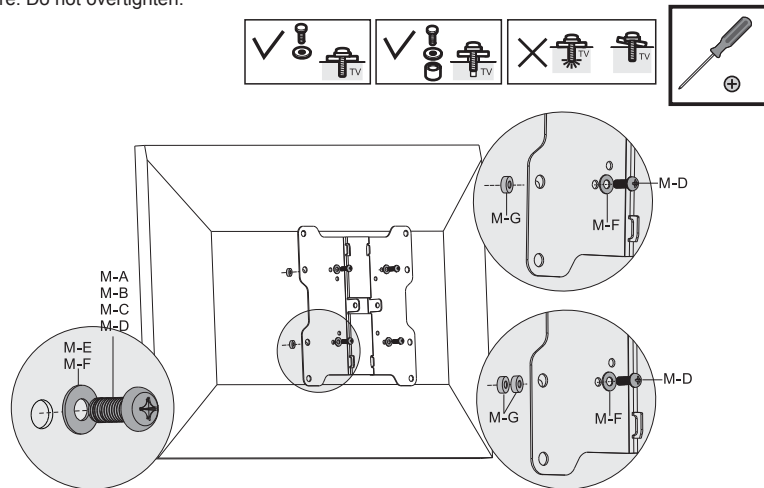
Note: If mounting on particle board cabinets, please ensure the cabinet can safely support the weight of the TV and the mount.



Step 4

Attaching the TV to the VESA Plate

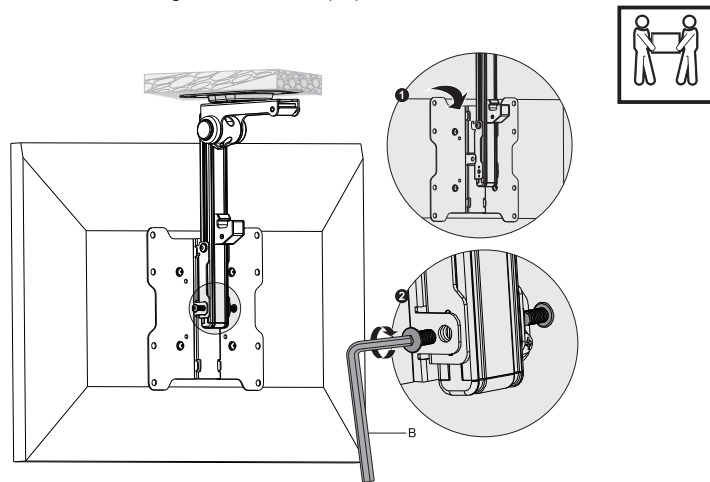
- Lay your TV screen side down on a flat or soft surface.
- Select the appropriate size mounting bolt (Select one size #M-A, M-B, M-C, or M-D) and washer (#M-E or M-F) for your display's mounting holes and verify the length of the VESA bolt is not too long. If you are unsure of the correct bolt size for your display refer to your TV user manual or contact the TV manufacturer for sizing information. If necessary, use the included spacers (#M-G) between the mount and the TV as shown above to adjust the length of the mounting bolt. Multiple spacers can be used in combination to achieve the desired bolt depth. Attach the VESA Plate using the selected bolts and tighten until secure. Do not overtighten.



Step 5

Reconnecting the VESA Plate to the Mount

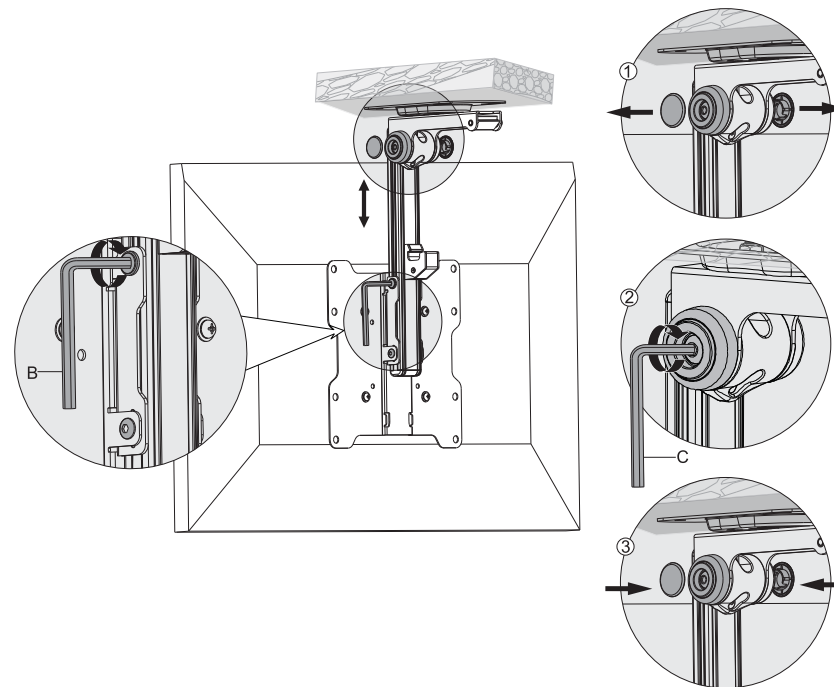
- Hang the top portion of the VESA plate back on the arm as shown in magnification bubble 1.
- Reinstall the bolts removed in Step 1 to their original location, securing the VESA plate back to the Mount Arm, tighten until secure using 4m Hex Wrench (#B)



Step 6

Height and Arm Adjustments

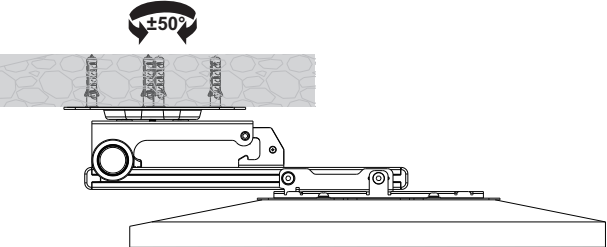
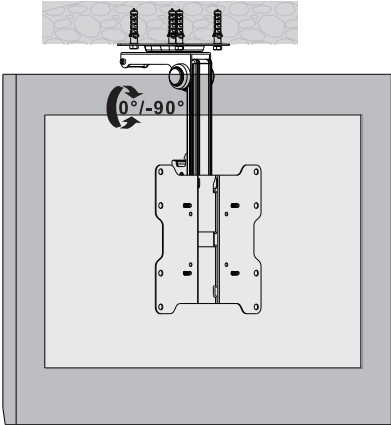
- To adjust the height of the screen use 4mm Hex Wrench (#B) to loosen the bolt indicated in the magnification bubble on the left. Once loosened the screen and VESA plate will be able to be moved up or down on the arm. Tighten the bolt back in place to fix the screen at the desired height.
- To adjust the folding movement of the arm to be lighter, heavier, or fixed, remove the covers indicated in magnification bubble 1. Use 6mm Hex Wrench (#C) to adjust the tension of the screw, and test if the movement is satisfactory by folding or moving the arm joint. Replace the decorative covers when finished.



Step 7

Final Adjustments

• The mount can be folded up for storage and lowered for viewing to a maximum angle of 90° and may be swiveled up to +/- 50° left or right.



Visit us at www.mount-it.com for product registration and warranty information.

Our US based customer service team is standing by to answer any questions you have about your Mount-It! product.

Available by phone **Monday - Friday from 8:00am to 4:00pm** PST.

Chat live with an agent on our website!



support@mount-it.com



(855) 925-5668



www.mount-it.com