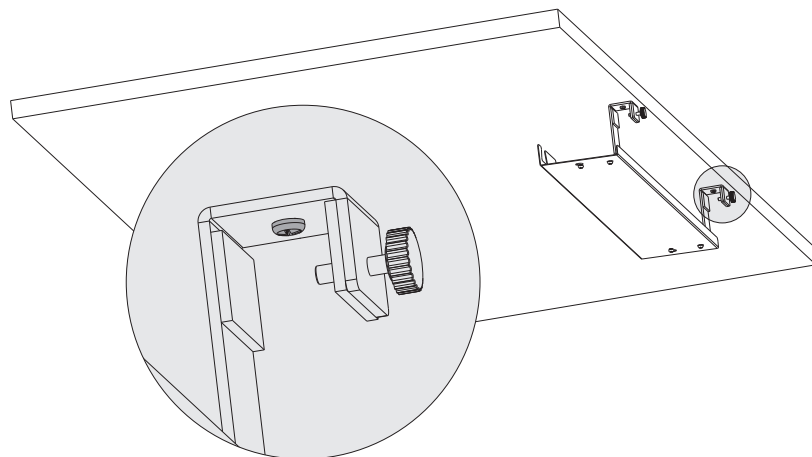
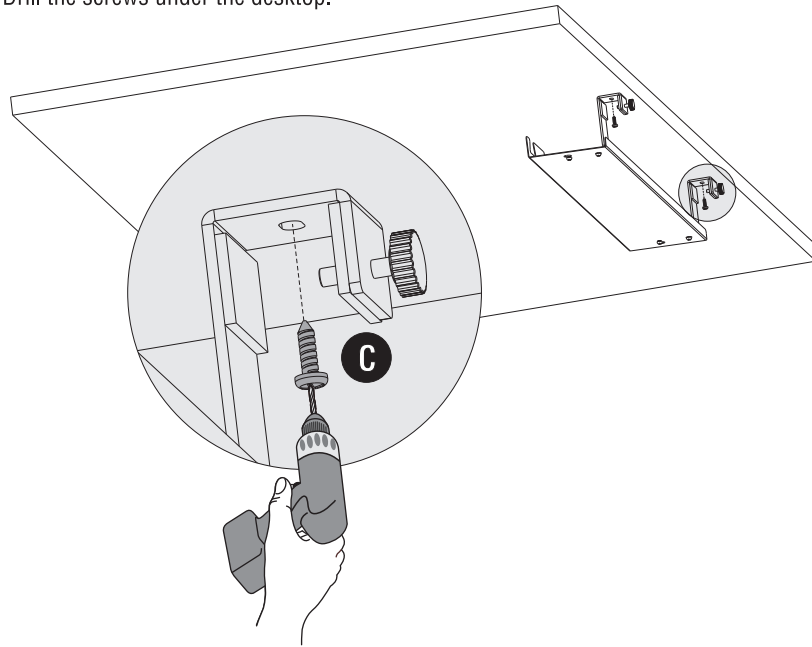
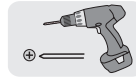


### Installation Option 2: Mount under Desktop

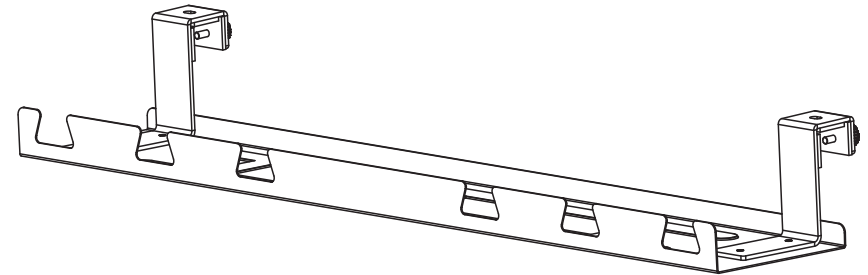
- Drill mounting holes under the desktop.
- Drill the screws under the desktop.



**mi** MOUNT-IT!

# Desk Cable Tray

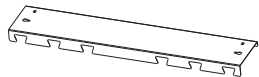
## Installation Manual



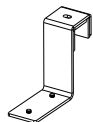
**Model: MI-7282**

VISIT US AT [MOUNT-IT.COM](http://MOUNT-IT.COM) FOR PRODUCT REGISTRATION AND WARRANTY INFORMATION.  
CONTACT US AT [SUPPORT@MOUNT-IT.COM](mailto:SUPPORT@MOUNT-IT.COM) OR 855-925-5668 FOR QUESTIONS OR COMMENTS.

## Component Checklist



**A (x1)  
shelf**



**B (x2)  
hook**

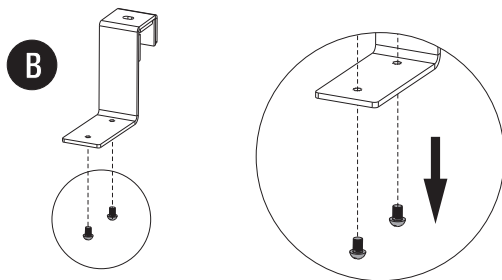
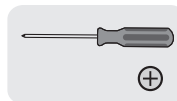


**C (x2)  
screw**

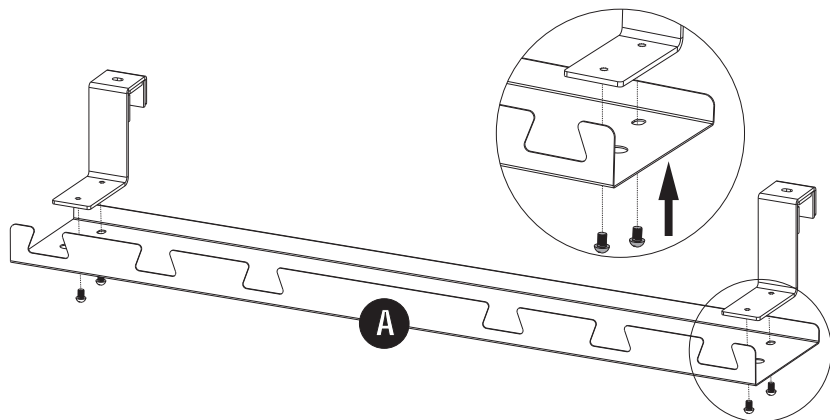
## Installation Instructions

### Assemble cable management shelf

- Loose and remove the screws with a proper screwdriver.

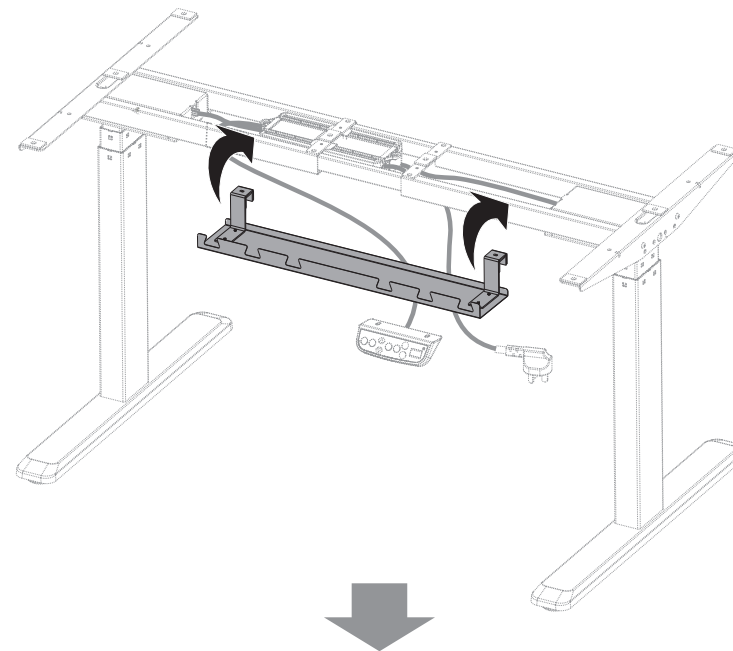


- Fix the hooks to the shelf with removed screws, tighten all the screws.



### Installation Option 1: Hang on Desk Frame

- Hang the cable management shelf onto the frame as shown below.



- Tighten all the screws on the hooks.

