

Please scan this QR code
to visit the product page.

HEIGHT ADJUSTABLE DUAL MONITOR COMPUTER CART



HAVE QUESTIONS?

Monday - Friday from 8:00am - 4:00pm PST



support@mount-it.com



(855) 925-5668

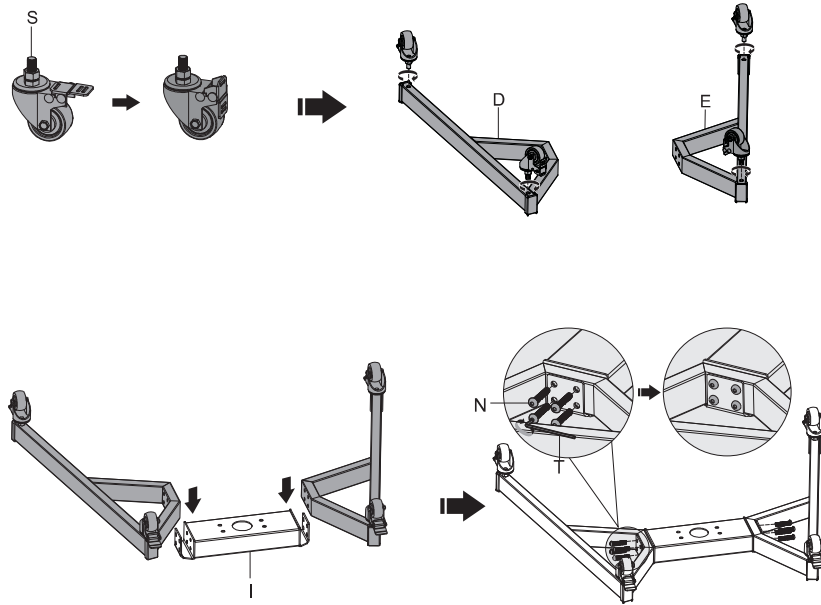


www.mount-it.com

Step 1

Assembling the Base

- Turn Base Connector (#I) upside down and place both halves of the Wheeled Base (#D, #E) into the slots as shown, aligning them with the bolt holes. Secure in place using Bolts (#N) and tighten until secure using 5mm Hex Wrench (#T).

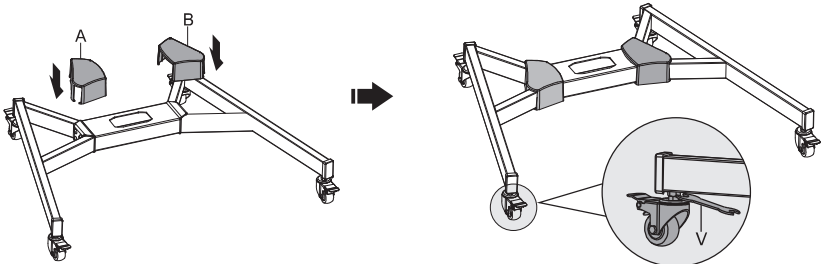


Step 2

Attach the Decorative Covers

- Turn the base over and attach the Decorative Covers (#A, #B) to cover the joints between the Wheeled Base halves and the Base Connector.

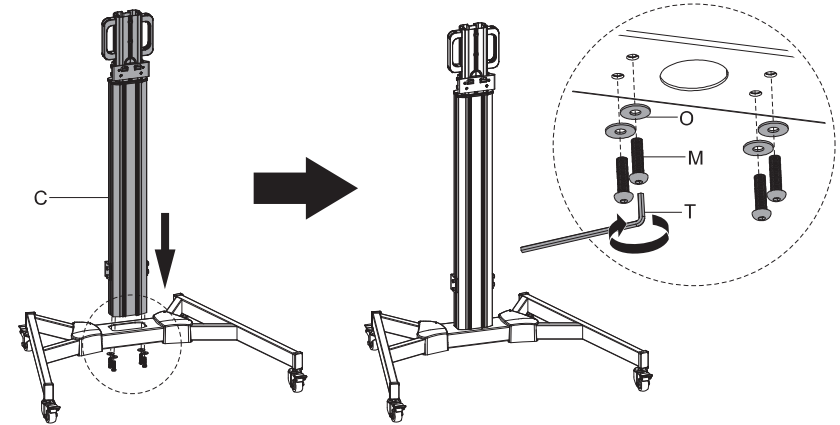
- Level the base as needed, and tighten the bolts between the wheel and the base by using Wrench (#V).



Step 3

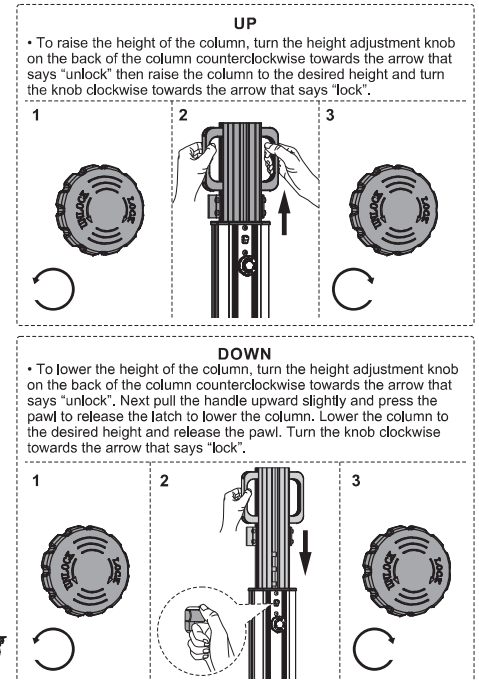
Connect the Column to the Base

- Insert the Height Adjustable Column (#C) into the base and secure from beneath using Washers (#O) and Bolts (#M). Tighten until secure using 5mm Hex Wrench (#T).



Step 4

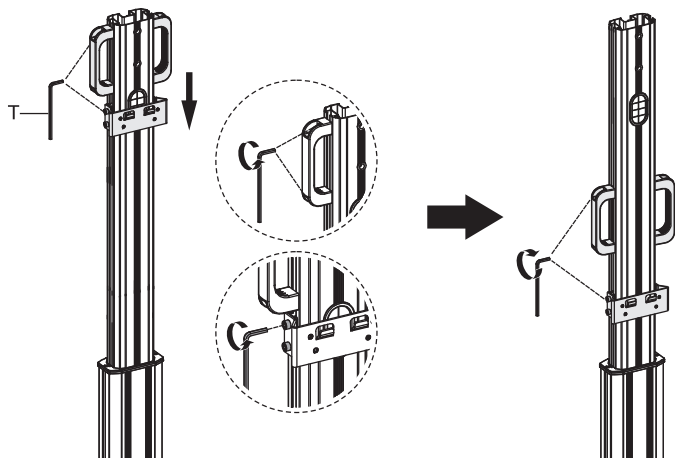
Adjust the Height of the Column



Step 5

Adjusting the Handle and Keyboard Tray Connector

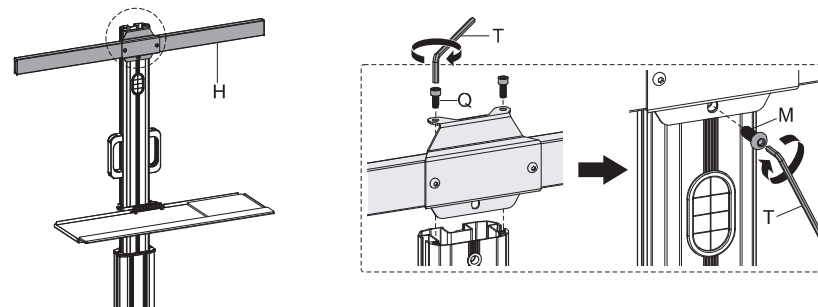
- Using the 5mm Hex Wrench (#T) to loosen the bolts shown here, adjust the height of the handle and the keyboard tray bracket to the desired height.



Step 7

Attaching the Dual Monitor Arm

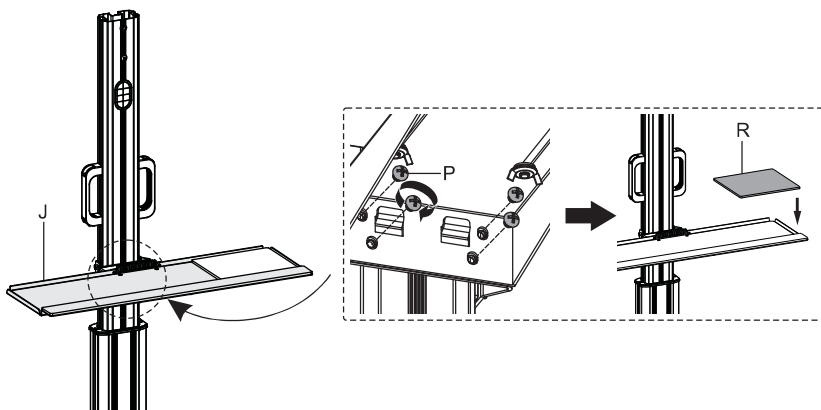
- Attach the Dual Monitor Arm (#H) to the top of the column as shown, using the 2 Bolts (#Q) on the top two holes, and 1 Bolt (#M) on the front lower hole.



Step 6

Attaching the Keyboard Tray

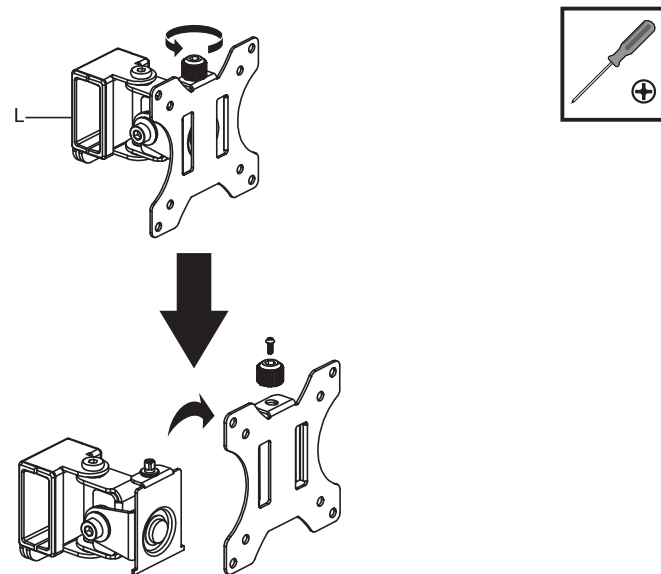
- To install the Keyboard Tray (#J), hook the back of the tray onto the two hookson the keyboard tray connector (shown in the magnification bubble.) Secure it in place using Bolts (#P). Place the Mouse Pad (#R) on the tray.



Step 8

Removing the VESA Plate

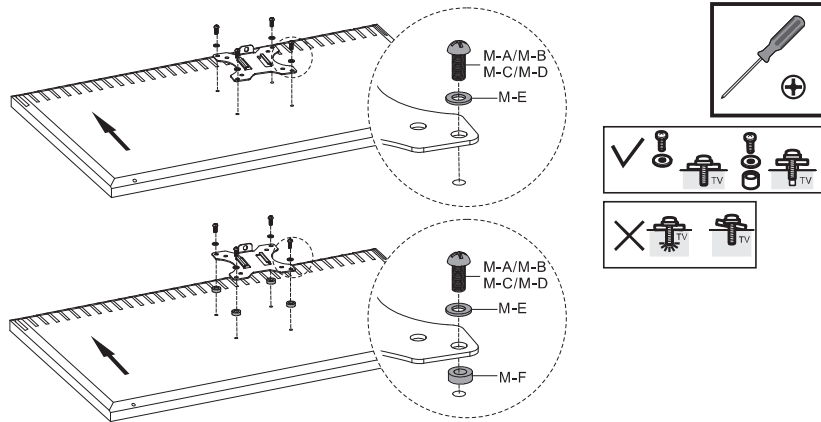
- Remove the thumb screw on the top of the VESA plate, then slide the plate up and off the bracket.



Step 9

Attach the Monitor to the VESA Plate

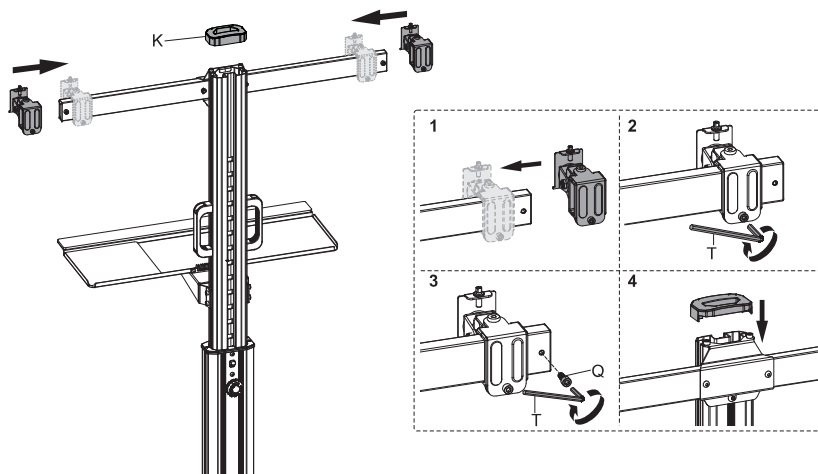
- Select the appropriate size mounting bolt (Select one size #M-A, M-B, M-C or M-D) and washer (#M-E) for your display's mounting holes and verify the length of the VESA bolt is not too long. If you are unsure of the correct bolt size for your display refer to your display's user manual or contact the display's manufacturer for sizing information.
- If necessary, use the included spacers (#M-F) between the mount and the screen as shown above to adjust the length of the mounting bolt. Multiple spacers can be used in combination to achieve the desired bolt depth. Attach the VESA Plate using the selected bolts and tighten until secure. Do not over tighten.



Step 10

Installing the VESA Mounts and Top Cap

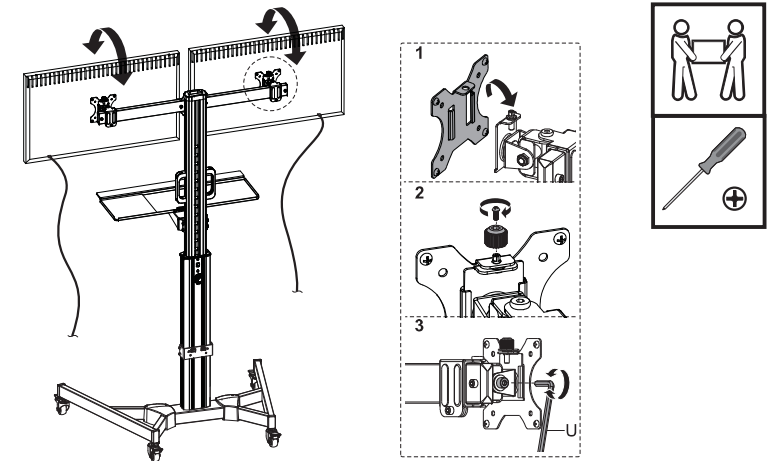
- Slide one each of the VESA Plates (#L) onto opposite ends of the Dual Monitor Arm as shown so that the front of the bracket faces toward the keyboard tray. Once in the desired position tighten the bolt on the rear of the bracket to fix it in place. Install bolt (#Q) to the end of each arm to prevent the monitors from accidentally being removed from the arm. Place the Column Top Cap (#K) on the top of the column.



Step 11

Reattach the VESA Plates and Monitors

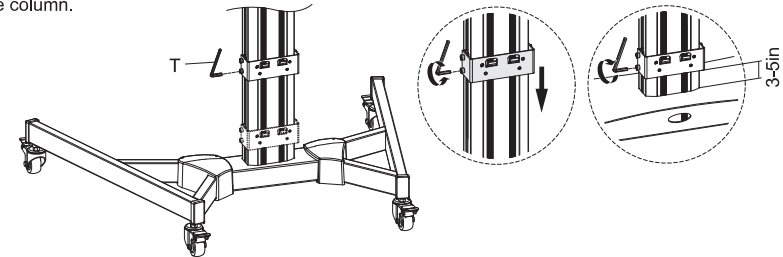
- Slide the VESA plates back onto the brackets and reinstall the bolt on the top of each VESA plate.



Step 12

Position the PC Mount Connector

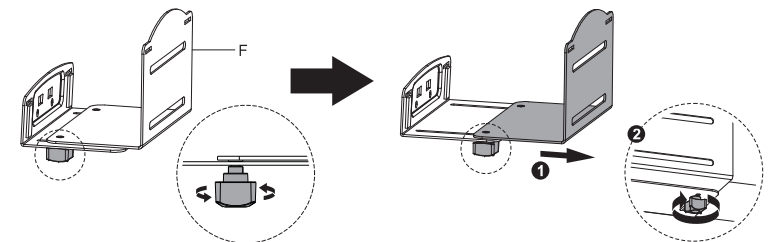
- If needed, lower or raise the PC Mount Connector by loosening the bolts shown here. For the recommended positioning the bottom of the connector should be approximately 3-5" from the base of the column.



Step 13

Preparing the PC Mount

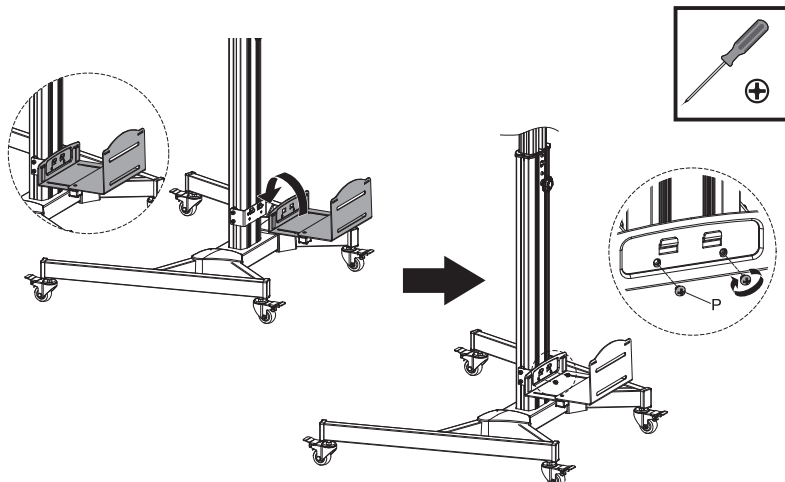
- Open the PC Mount (#F) to its widest setting by partially loosening the hand knobs on the underside of the mount and sliding the two halves away from each other.



Step 14

Attaching the PC Mount

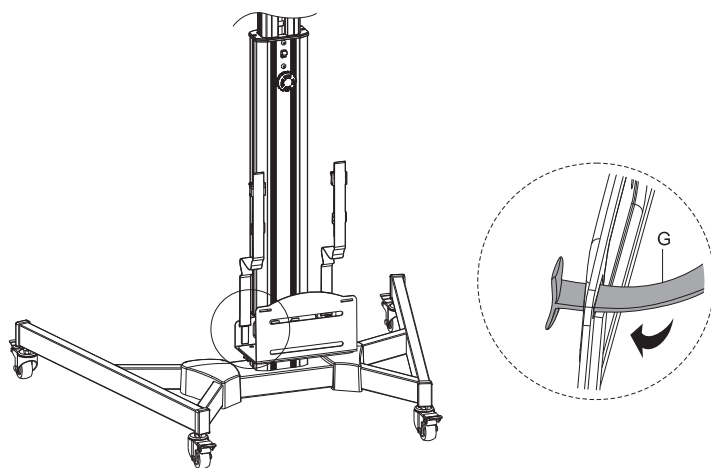
- To attach the PC Mount (#F) hook the back of the tray onto the two hooks on the PC Mount Connector (shown in the magnification bubble.) Secure it in place using Bolts (#P).



Step 15

Inserting the PC Straps

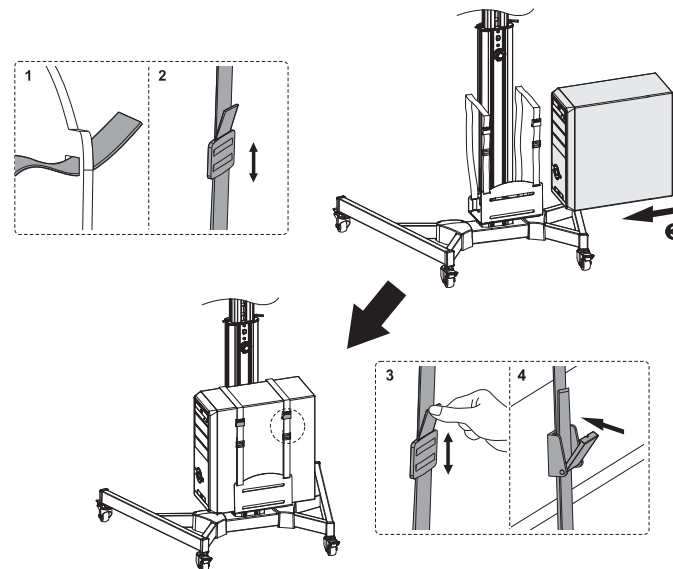
- Insert the T-shaped ends of the two PC Straps (#G) through the horizontal slots on the upper left and right of the PC Mount (see the image below for reference.) For easier adjustments ensure that the latch side of the straps face away from the PC Mount. The straps should be inserted through the slots so that when they are pulled back the T-shaped end of the strap prevents it from coming back through the slot.



Step 16

Securing the PC in the PC Mount

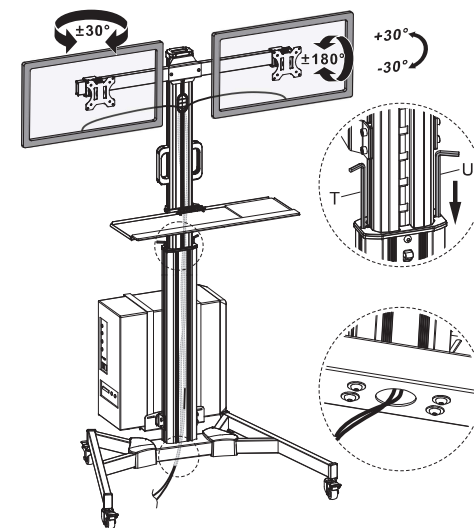
- Pass the end of the PC Straps through the two short horizontal slots on the outer half of the PC Mount. Thread the straps through the slide buckle on the strap and leaving the straps loose enough to insert the PC.
- Insert the PC into the PC Mount and adjust the width of the PC mount to fit your device. To do so loosen the hand knobs on the underside of the mount and push or pull the halves to fit snugly against the sides of your PC.
- Tighten the straps by pulling all the slack through the first slide buckle (shown in magnified bubble 3), then insert the ends of the strap through the cam buckle (shown in magnified bubble 4) then push the flap of the buckle down to latch the straps in place. Adjust the height of the cable management clip as needed.



Step 17

Final Adjustments

- The monitor can be tilted up or down 30 degrees and can be rotated 180 degrees to change the orientation of the monitor from landscape to portrait orientation.
- For cable management pass the cables through the opening behind the monitor mount as shown here so that they exit through the base of the column.
- The Hex Wrenches can be stored on the holes on the sides of the column for easy access and adjustments.
- Push the brake lever down on the casters to prevent the cart from rolling and pull them up to allow the wheels to turn.



Visit us at www.mount-it.com for product registration and warranty information.

Our US based customer service team is standing by to answer any questions you have about your Mount-It! product.



support@mount-it.com

Available by phone **Monday - Friday from 8:00am to 4:00pm** PST.



(855) 925-5668

Chat live with an agent on our website!



www.mount-it.com