

## FOLDABLE PUSH CART

### Thank you for choosing Mount-It!

Visit us at [www.mount-it.com](http://www.mount-it.com) for product registration and warranty information.

Our US based customer service team is standing by to answer any questions you have about your Mount-It! product.

Available by phone **Monday - Friday from 8:00am to 4:00pm** PST.

*Chat live with an agent on our website!*



[support@mount-it.com](mailto:support@mount-it.com)



(855) 915-2666



[www.mount-it.com](http://www.mount-it.com)



### HAVE QUESTIONS?

Monday - Friday from 8:00am - 4:00pm PST



[support@mount-it.com](mailto:support@mount-it.com)



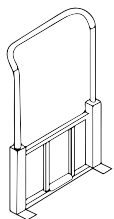
(855) 915-2666



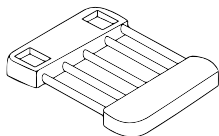
[www.mount-it.com](http://www.mount-it.com)

## PACKAGE CONTENTS

**Assembly Time:**  
Less than 10 minutes



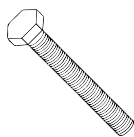
Handle Assembly x 1



Platform x 1



Nut x 16



Long Bolt x 8



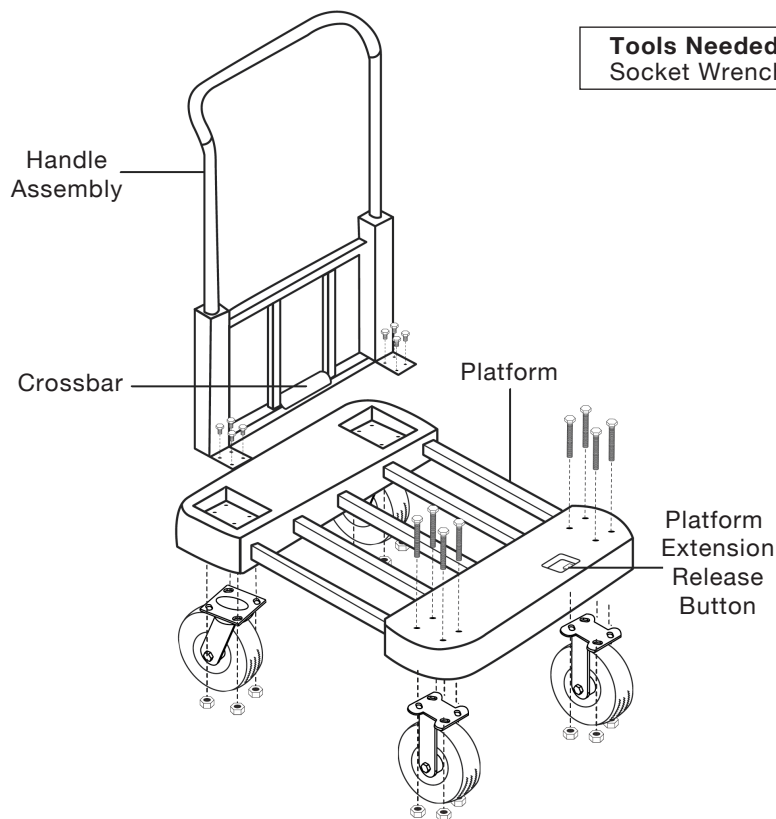
Short Bolt x 8



Fixed Caster x 2



Swivel Caster x 2



**Tools Needed:**  
Socket Wrench

## ASSEMBLY

1. Align handle assembly with platform and swivel casters. Secure with short bolts and eight nuts.

2. Align fixed casters with platform. Attach with long bolts and eight nuts.

**NOTE:** Fixed and Swivel Casters can be used either in the front or the back of the platform. Swivel casters at the back (under the handle) allows for easier turns and straight track.

**NOTE:** Short bolts must be used with casters by the handle and long bolts must be used with casters at the front of the platform.

3. Adjust platform to desired length using platform extension release button in the top of deck.

4. The handle assembly can be folded forward for easy storage. To fold down the handle assembly, place foot on the crossbar firmly to disengage the lock and push the handle assembly forward and fold down onto the platform.

## WARNING

This product is not a toy. Do not allow children to play with or near this item. Do not exceed weight capacity. **Be aware of dynamic loading!** Sudden load movement may briefly create excess load causing product failure. Use as intended only. Inspect before every use; do not use if parts are loose or damaged.

