

Please scan this QR code to visit the product page.

This device complies with Part 15 of the FCC Rules. Operation is subject to the following two conditions: (1) this device may not cause harmful interference, and (2) this device must withstand any interference received, including interference that may cause undesired operation.




Visit us at www.mount-it.com for product registration and warranty information.

Our US based customer service team is standing by to answer any questions you have about your Mount-It! product.

 support@mount-it.com

Available by phone **Monday - Friday from 5:00am - 5:00pm PST.**

 (855) 925-5668

Chat live with an agent on our website!

 www.mount-it.com

LED DESK LAMP WITH SWING ARMS



HAVE QUESTIONS?

Monday - Friday from 5:00am - 5:00pm PST



support@mount-it.com



(855) 925-5668



www.mount-it.com

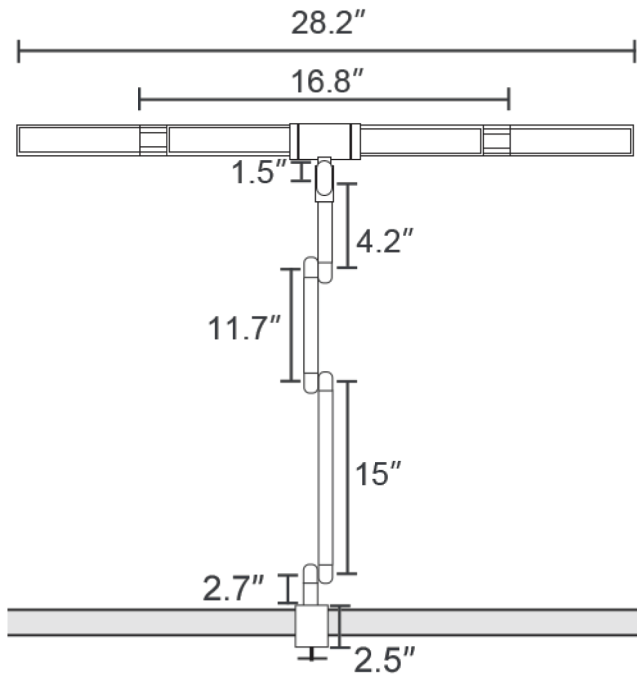
PRODUCT FEATURES

- Energy efficient LED
- 5 levels of adjustable color temperature and brightness
- Auxiliary side lighting with adjustable angles
- Automatic brightness adjustment with sensor function

PACKAGE CONTENTS

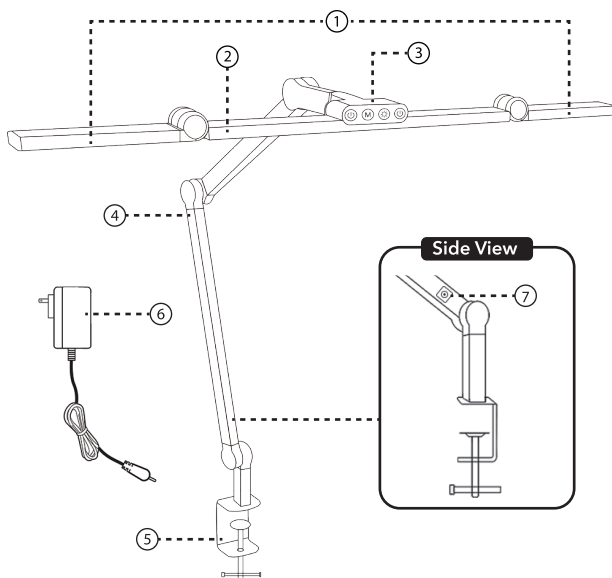
- 1 x LED Desk Lamp
- 1 x Power Adapter
- 1 x Installation Manual

DIMENSIONS



PRODUCT DIAGRAM

- ① Side Auxiliary Lights
- ② Main Light
- ③ Control Panel
- ④ Lamp Arm
- ⑤ Desk Clamp
- ⑥ Power Adapter
- ⑦ Power Adapter Port



SPECIFICATIONS

Optical Parameters

Luminous flux	1380lm Rmark: (±10%) @ 100%Lm)
Color Temperature	3000-6000K±275K
Brightness/CCT adjustment methods	Touch
LED Specification	2835 0.5W 150mA LM:60-65LM, CRI:90 140PCS Led total
LED Lifespan	>40000 Hours
CRI	Ra≥90
Lux	>1700LUX

Structural Data

Housing material	PC, ABS, Aluminum alloy, Iron
Surface treatment process for Alum profile	Powder spraying 4
Number of spindles	7
Rotary shaft torque	10kg, 20kg, 35kg
Spindle lifespan	20000 times

AC Adapter Data

Rated input	AC 100~240V 50/60Hz, 0.8A
Rated output	DC24V±5%
Rated current	DC 1A
Rated power	24W
Power factor	0.5±0.05
Usage environment	-10°~40°C
Certificate	CE, ROHS, ETL, PSE, CCC, UKCA
Cable length	2m
Plug	5.5*2.1*10MM L-shape
Connector Type	DC plug diameter 5.5mm

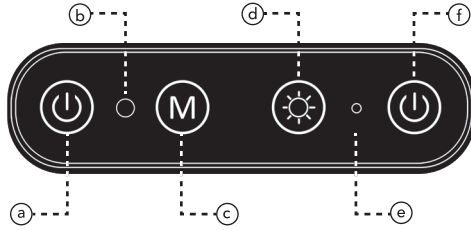
Lamp Data

Rated input	AC 100 ~ 240V 50/60Hz, 0.1A
Rated power (Adapter+Lamp)	19W±10%
Lamp Certification	CE, ROHS, UKCA, FCC

Usage Environment (Indoor Only)

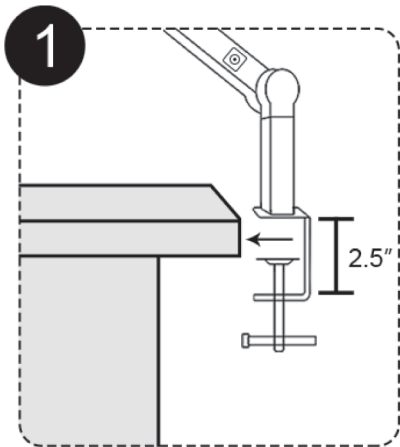
Working temperature	-20°~45° C
Working humidity	0%-85%RH
IP protection level	IP20
Lifespan	≥20000hours

CONTROL PANEL USE

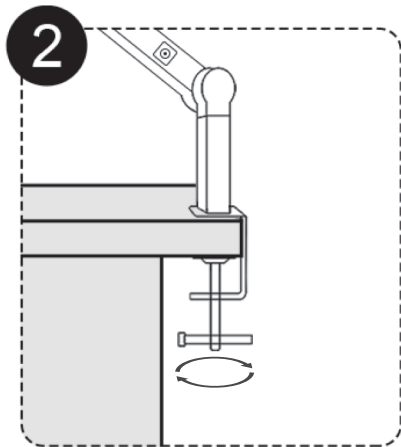


	Button	Functionality
(a)		Main center light power Short press: Turn on/off main light. Memory function will store the last settings.
(b)		Ambient light sensor
(c)		Color Temperature Adjustment Short press: 5 temperature settings 3000K-3500K-4000K-5000K-6500K Long Press: Stepless tempering (3000-6500K)
(d)		Brightness adjustment Short press: 5 brightness levels (20%-40%-60%-80%-100%) Long press: Stepless Dimming (20%-100%)
(e)		Automatic brightness indicator When the automatic brightness setting is on, the blue indicator light will be on.
(f)		Auxiliary side light power & automatic brightness setting. Short Press: Turn on/off auxiliary lights. Long Press: Turn on/off automatic brightness adjustment. Brightness will automatically adjust depending upon the ambient light levels in the room.

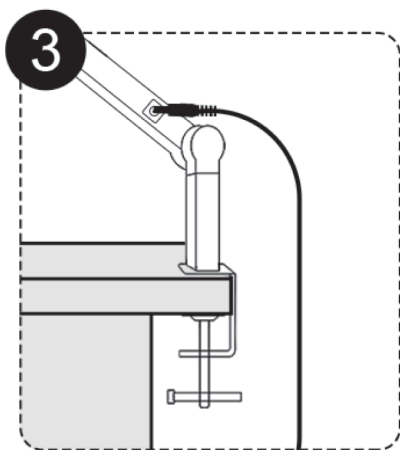
INSTALLATION



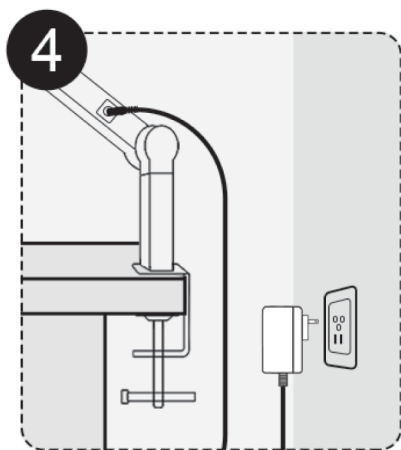
- ① Open the clamp until it is wider than the thickness of the desk. Compatible with desks up to 2.5" thick.



- ② Place the Clamp over the edge of the desk in the desired location, then tighten the clamp handle until it is secure, and the clamp does not move.



- ③ Connect the Power Adapter to the Port on the lamp.



- ④ Plug the Power Adapter into the wall outlet.