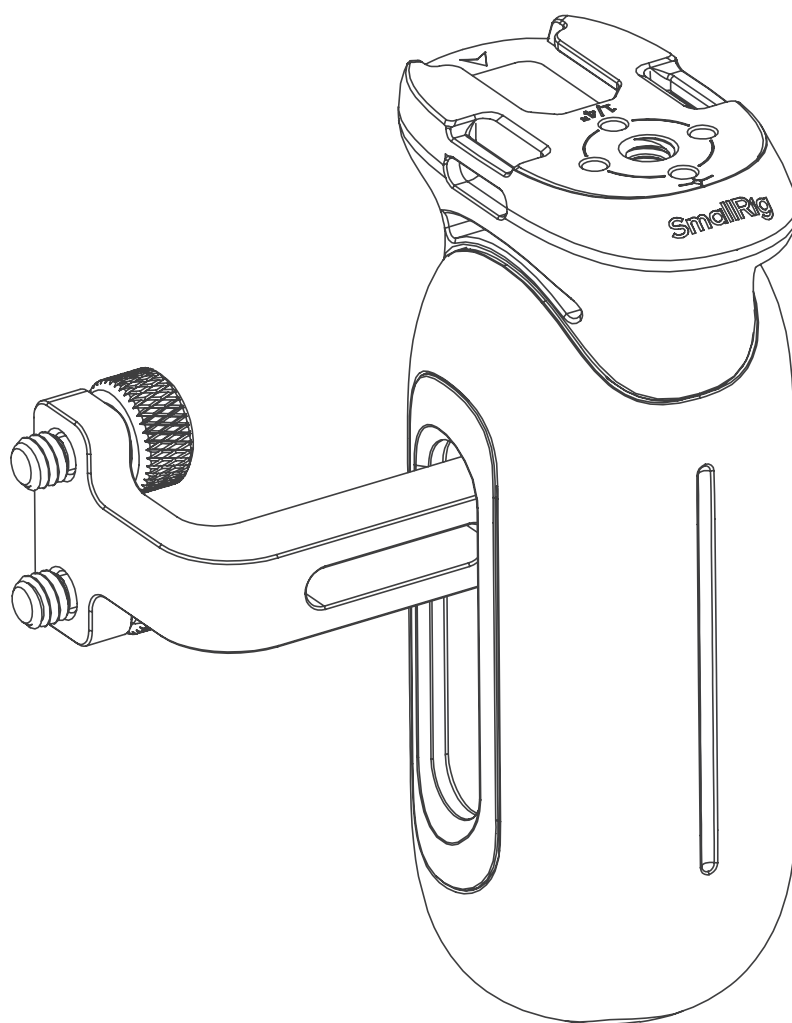


# SmallRig

## Wooden Side Handle with 1/4"-20 Screws 木头侧手柄（螺纹）



Operating Instruction / 操作指引

- Thank you for purchasing SmallRig's product.  
感谢您购买 SmallRig 产品。
- Please read this Operating Instruction carefully.  
使用本产品之前，请仔细阅读操作指引。
- Please follow the safety warnings.  
请注意所有警告提示并遵循使用操作指引的所有指令。

## In the Box / 包装清单

Side Handle  
侧手柄

× 1

Guarantee Card  
保修卡

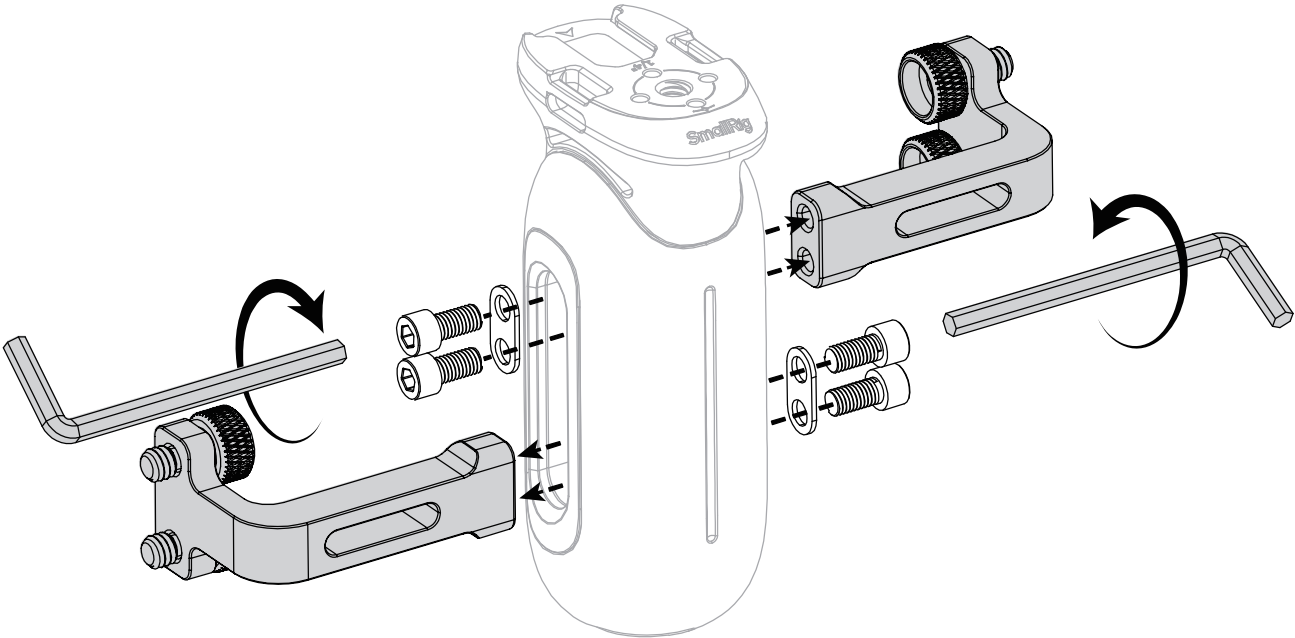
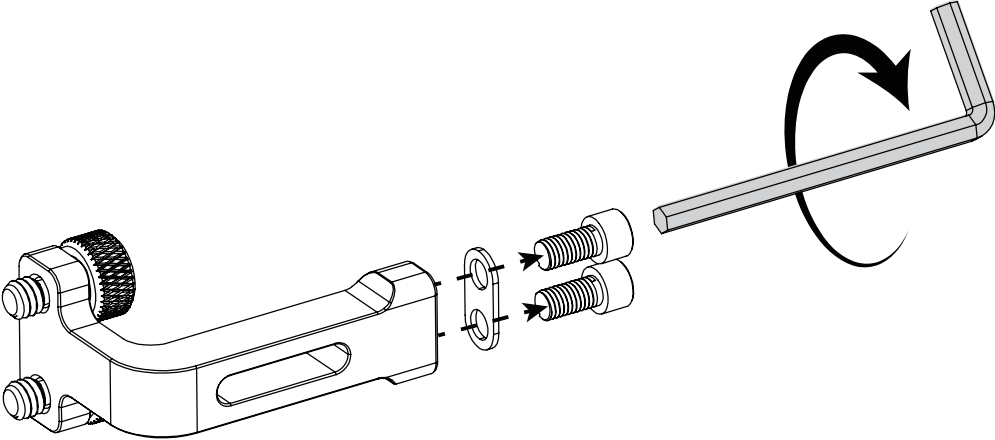
× 1

## Product Details / 产品介绍

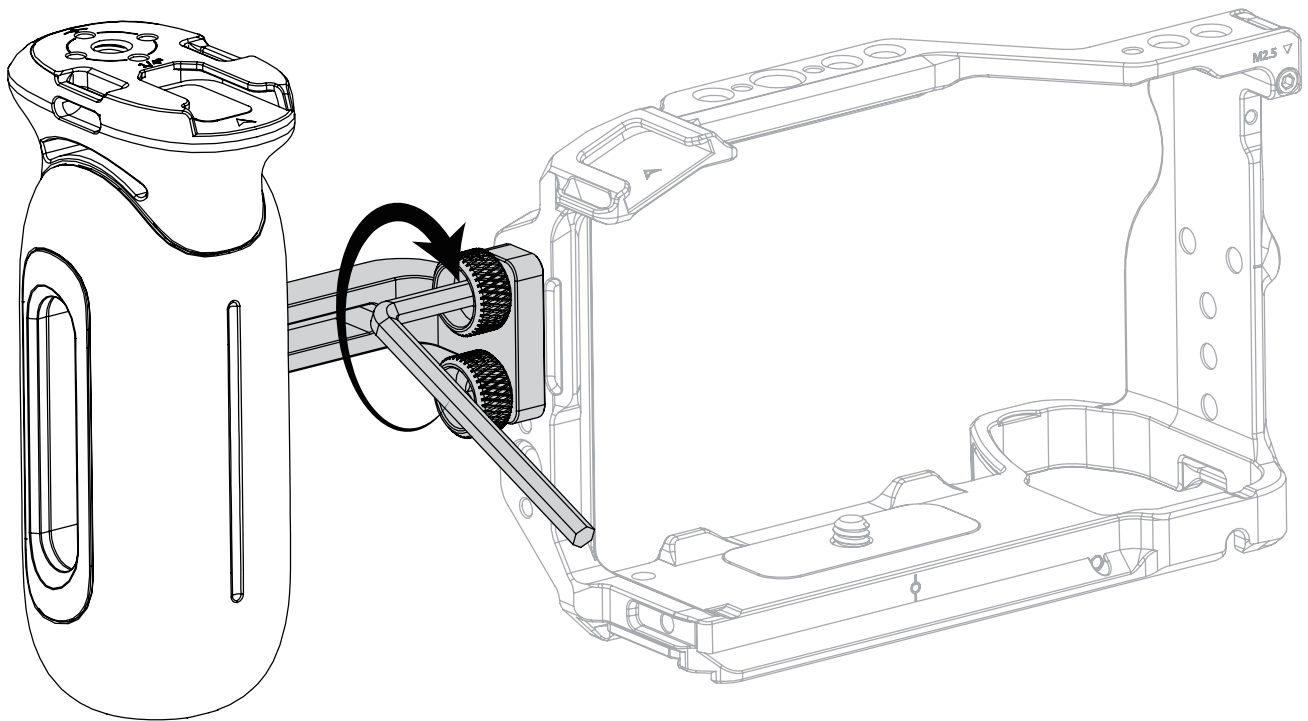
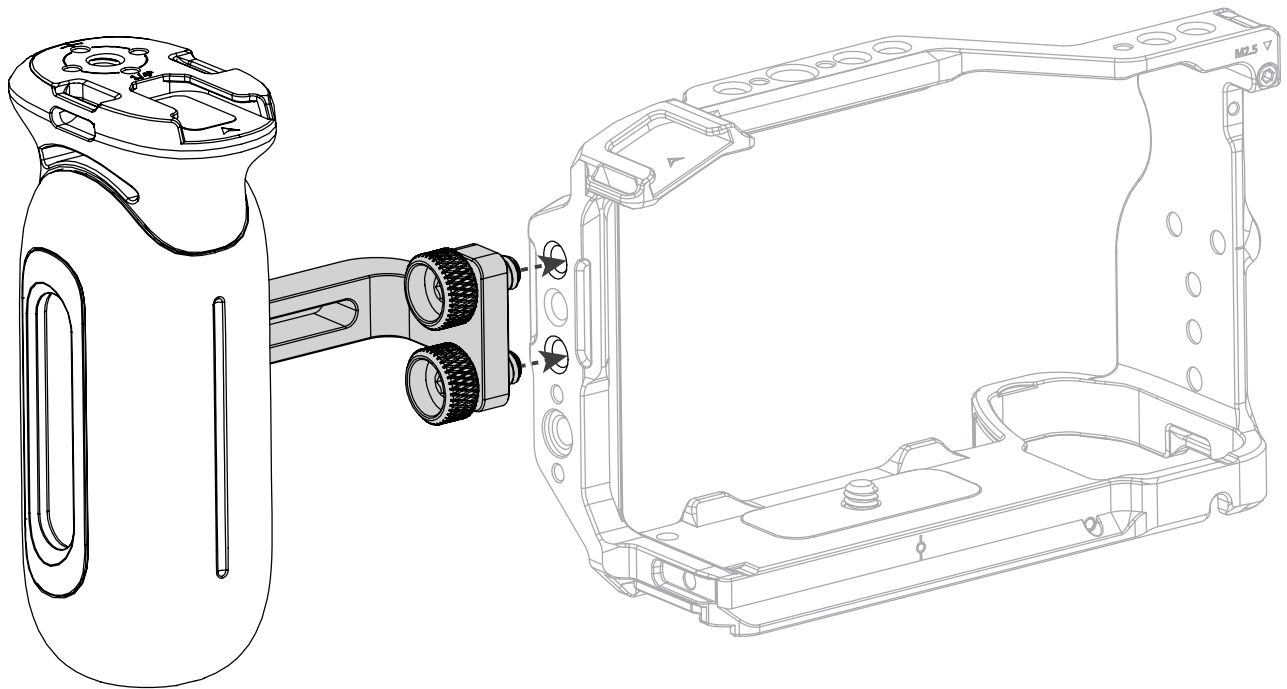


# Installation Instructions / 安装步骤

1



2



## Specifications / 产品参数

Product Dimensions 产品尺寸	4.4 × 3.4 × 2.5in 112.2 × 86.0 × 62.5mm
Product Weight 产品重量	6.5 ± 0.2oz 185.0 ± 5.0g
Material(s) 主要材质	Wood, Aluminum Alloy 木头、铝合金

Specifications subject to change without prior notice. Please refer to the physical product for the most up-to-date information.

技术参数如有改动，以实物为准，恕不另行通知。

Manufacturer Email: support@smallrig.com

Manufacturer: Shenzhen Leqi Innovation Co., Ltd.

Add: Rooms 101, 701, 901, Building 4, Gonglianfuji Innovation Park, No. 58, Ping'an Road, Dafu Community, Guanlan Street, Longhua District, Shenzhen, Guangdong, China.

制造商: 深圳市乐其创新股份有限公司

地址: 中国广东省深圳市龙华区观澜街道大富社区平安路58号共联富基创新园4栋101、701、901

Consignor: Shenzhen LC Co., Ltd.

Add: Room 201, Building 4, Gonglianfuji Innovation Park, No. 58, Ping'an Road, Dafu Community, Guanlan Street, Longhua District, Shenzhen, Guangdong, China.

委托商: 深圳市乐长科技有限公司

地址: 中国广东省深圳市龙华区观澜街道大富社区平安路58号共联富基创新园4栋201

执行标准: GB/T 26572-2011

**RoHS**

**CE**



合格证  
已检验



中国制造  
Made in China