

FLAT LCD DISPLAY MOUNT MODEL



CMK-01 CEILING MOUNT

Warning Statements



The wall, floor or ceiling should be capable of supporting a weight of at least five (5) times the monitor's weight. If it cannot, the wall, floor or ceiling must be reinforced. Proper installation procedure by qualified personnel as outlined in the installation instructions must be adhered to. Failure to do so could result in serious personal injury.



CAUTION! The entire installation instructions should be fully read and understood, including all of the safety symbols and safety precautions before beginning installation. The installation instructions should be read, understood and followed to prevent personal injury or proper damage. Keep these installation instructions in an easily accessible location for future reference.



CAUTION! The ceiling structure must be capable of supporting a maximum weight of 400 lbs. If not, the ceiling must be reinforced. Proper installation procedure by qualified personnel as outlined in the installation instructions must be adhered to. Failure to do so could result in serious personal injury.



CAUTION! Make sure to hold the plasma display, or projector, securely and remove it from the mount to make the height adjustment prior to loosening the adjustment screws. Do not remove the screws completely from the extension. Loosen all at once. Loosen, remove, adjust then re-tighten the screws. Failure to do so could result in injury and or damage to the plasma display or projector.



Indicates that the power plug is to be disconnected from the power outlet.



Safety precautions must be taken at all times.



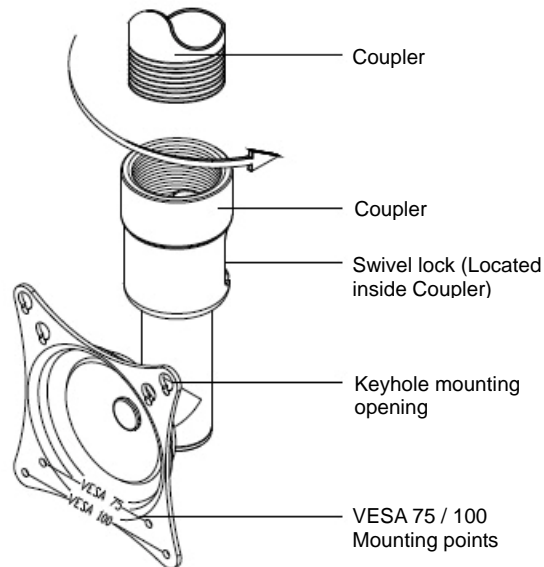
Warning and caution in general

CMK-01 Installation

STEP1

Screw the CMK-01 coupling adapter to the adjustable suspension adapters or 1½" (NTP) Pipe. Secure the coupling with the M6 security screw (supplied). Figure 1.

Figure 1



Adjustable Ceiling Adapter

Single Stud Installation

STEP2

Secure the ceiling plate to the ceiling structure (see WARNING).

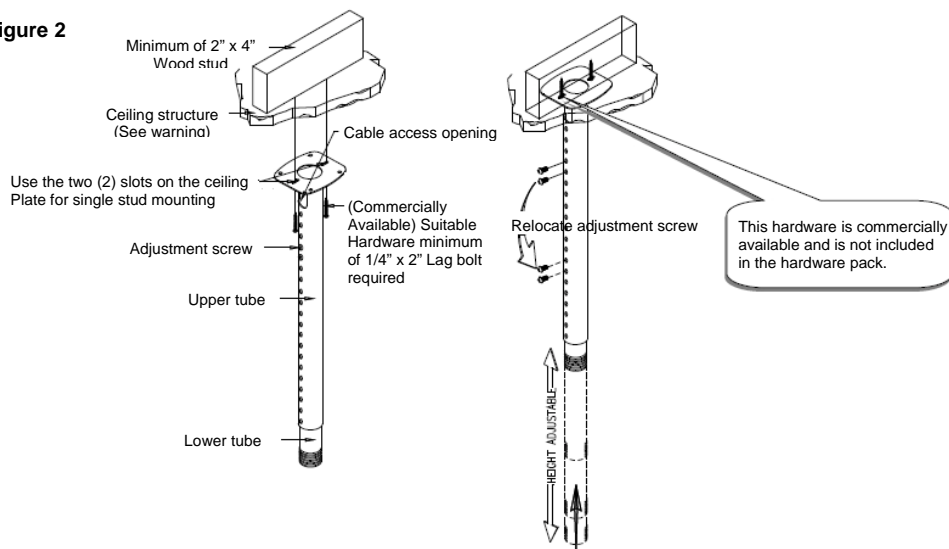
STEP3

Use suitable hardware (commercially available) depending on your installation environment to secure the two (2) mounting points found on the ceiling plate to the ceiling structure (Figure 2).

STEP4

Refer to ceiling adapter installation instructions.

Figure 2



Solid Structure Installation

1. Secure the ceiling plate to the ceiling structure (see WARNING).
2. Use suitable hardware (commercially available) depending on your installation environment to secure the four (4) mounting points found on the ceiling plate to the ceiling structure (Figure 3).
3. Refer to ceiling adapter installation instructions

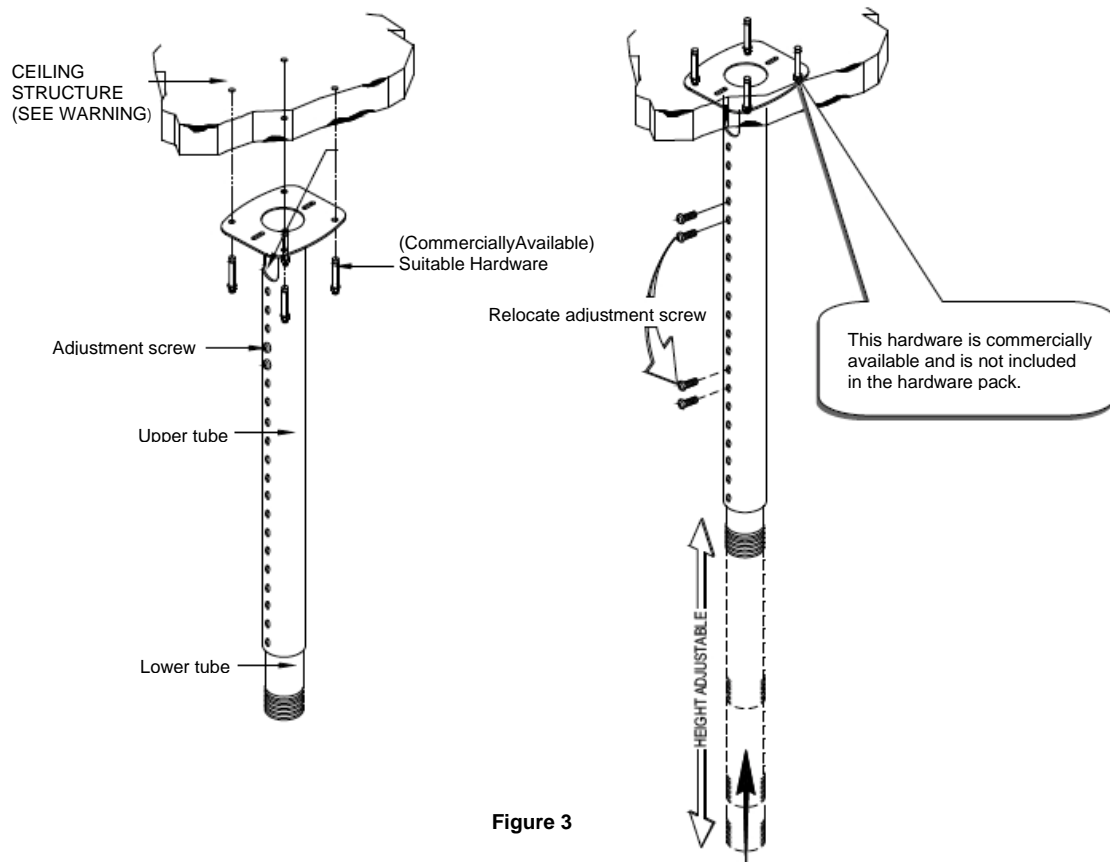


Figure 3

VESA 100: Secure the VESA 75/100 mounting bracket to the VESA 75 Using the four M4 x 10 Phillips screws. Raise and secure your monitor to the plate that has the VESA 100 now on you CMK-01 adapter and use the four (4) M4 x 10 (mm) Phillips screws (supplied) and a Phillips screwdriver. **(Do not use other tools other than a Phillips screwdriver to prevent damage to the monitor or mounting points).**

CAUTION: Do not over tighten the screws to the monitor failure to do so could result on damaging the monitor or the mounting points. See figure 4.

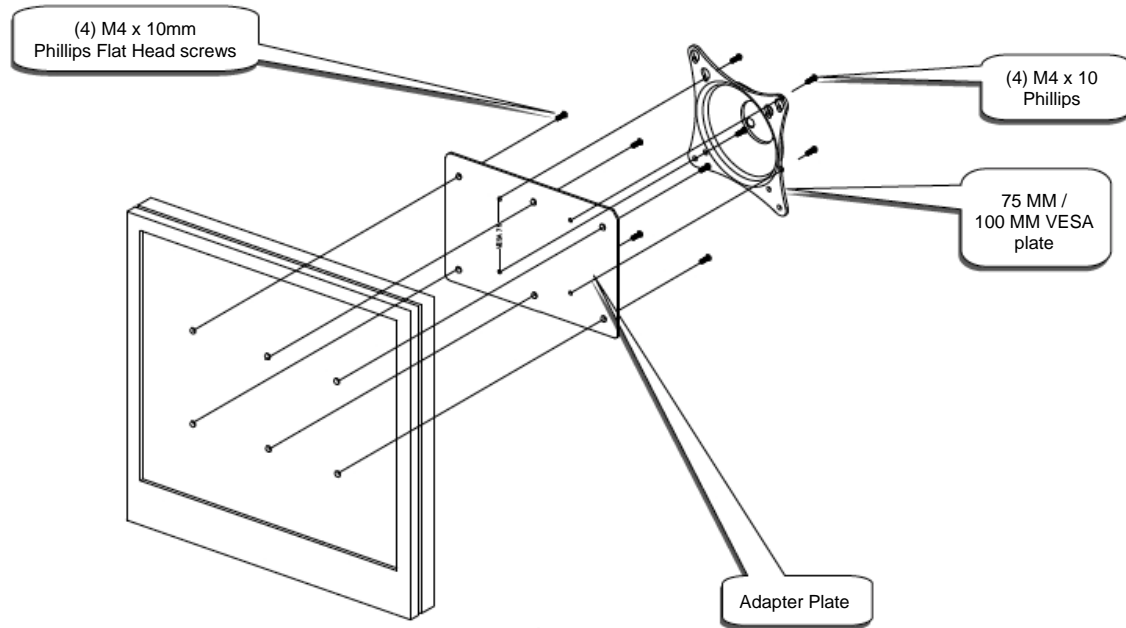


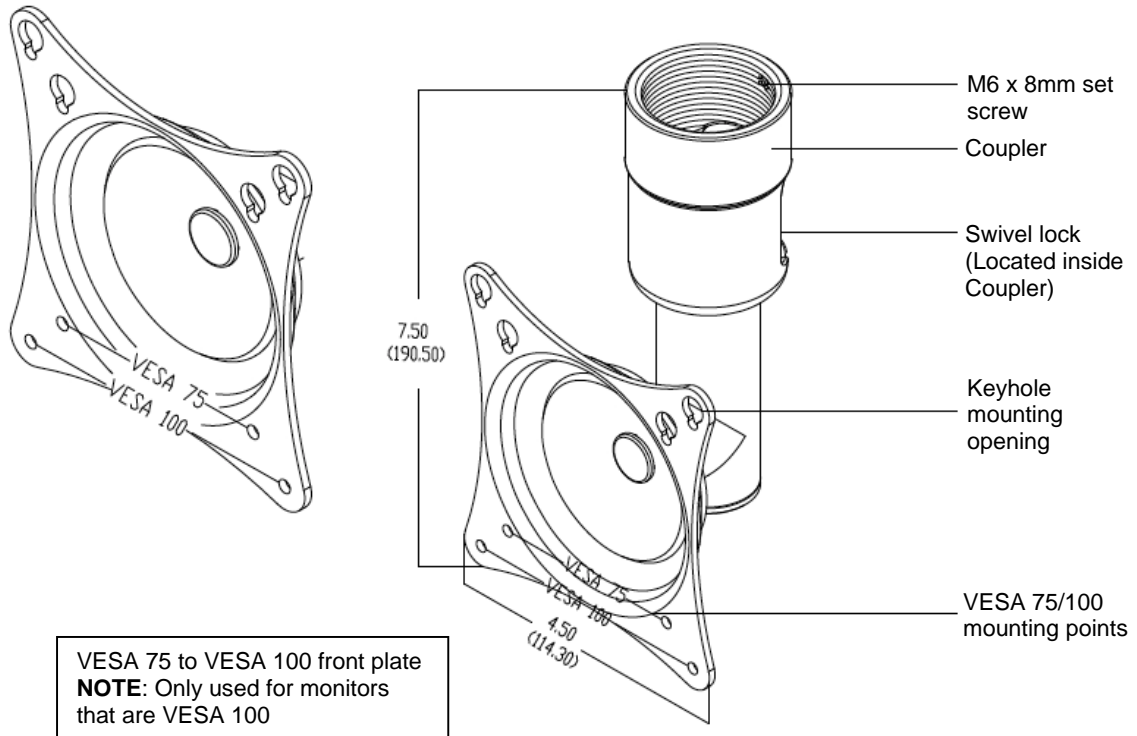
Figure 4

TENSION ADJUSTMENTS



Technical Specifications

Features: Tilt mount allows of adjustments up and down of $\pm 90^\circ$ from center and 360° swivel and cable access. Comes with a combination plate of VESA 75 and VESA 100 for optional mounting depending on monitor.



VESA 75 to VESA 100 front plate
NOTE: Only used for monitors that are VESA 100

2Year Limited Warranty

All **Orion Images** products carry a limited warranty from ship date against defects in materials and workmanship. Orion Images is not liable for improper installation that results in damage to mounts, adapters, display equipment or personal injury.

Contact Orion Images

In the event of missing and/or damage equipment, or technical questions, the following information can help in the completion of the installation.

Address: 7300 Bolsa Avenue, Westminster, CA 92683

Tel: 714-766-6300 / Fax: 714-766-6310

Email: sales@orionimages.com

Website: <http://www.orionimages.com>