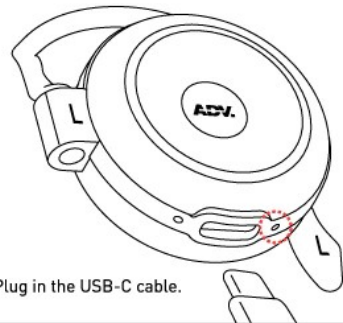


ADV.

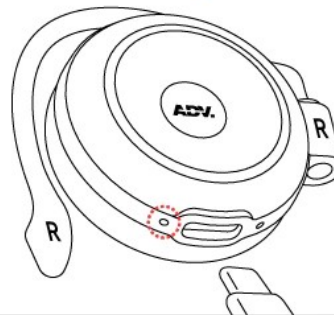
USER GUIDE | SPIDER

CHARGING SPIDER



Plug in the USB-C cable.

- Battery life 0-99%
- Battery life 100%

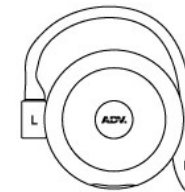


CONTROLS

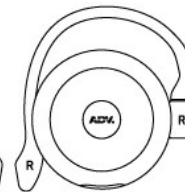
Music mode :

- Play / pause
- Previous track
- 2 SEC ● Activate voice assistant (Siri / Google)

LEFT



RIGHT



Music mode :

- Play / pause
- Next track
- 2 SEC ● Music / game mode

Call mode :

- Answer / end call

- 1 press
- 2 press
- 2 SEC ● Press & hold 2 sec

Call mode :

- Answer / end call

POWER ON / OFF SPIDER

ON

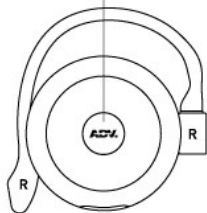
Press and hold ADV. button (3 sec)

3 SEC

OFF

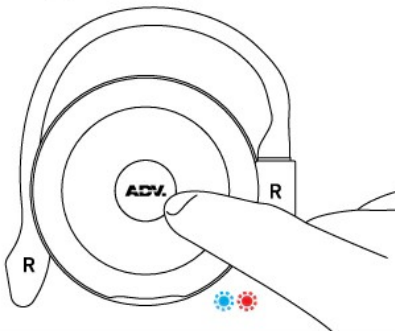
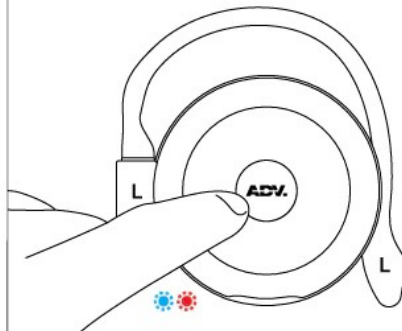
Press and hold ADV. button (3 sec)

3 SEC



PAIRING SPIDER

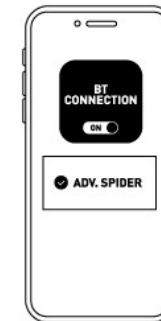
Turn on the headphones by simultaneously long-press left and right side ADV. button.



LED will flash blue and red alternatively.

Turn on BT function on your smartphone.

Find "ADV. SPIDER" inside BT device settings, and pair.



ON-EAR FIDELITY