

# CARSON®

## STARA™

### Refractor Telescope with Alt-Az Mount

Congratulations on selecting your new telescope! In order to achieve optimum performance, please follow instructions for proper use and care.



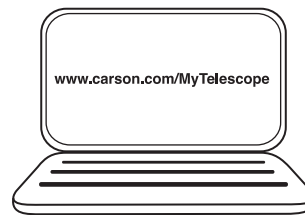
SR-200

#### PRODUCT SPECIFICATION:

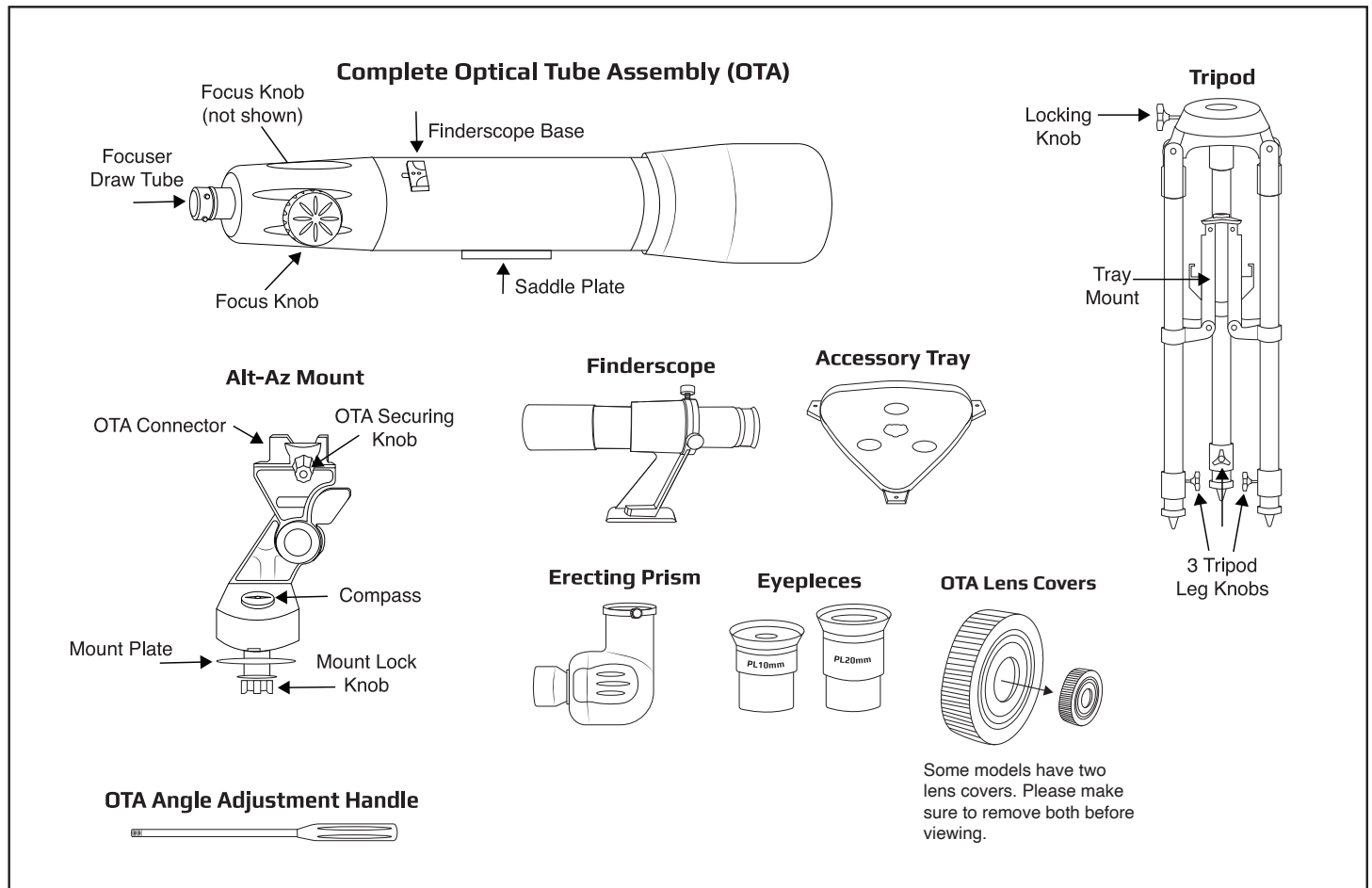
Magnification:	Theoretical Magnification up to 70x	Focal Length / Ratio:	700mm, f/8.75
Aperture:	80mm (3")	Erecting Diagonal:	Orients to Upright View like a Spotting Scope
Optical Design:	Refractor	Finderscope:	Erecting 6x25mm
Mount Type:	Alt-Az (Tripod included)	Lens Coatings:	Fully Coated
Eyepieces:	PL20mm (35x), PL10mm (70x), Size 1.25"		

#### ▶ VIDEO TUTORIAL

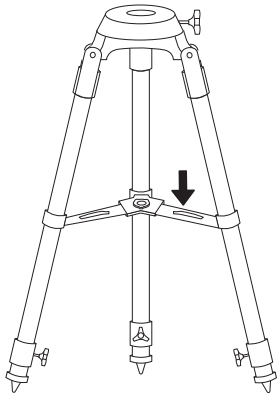
For details on how to use and align your telescope, please visit:



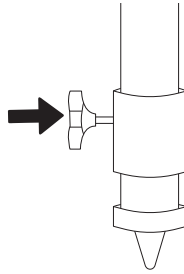
#### COMPLETE OPTICAL TUBE ASSEMBLY (OTA)



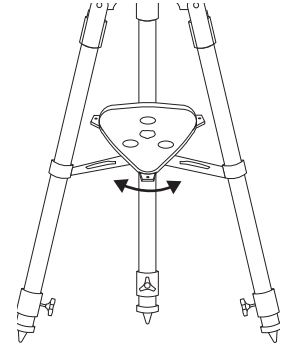
## ASSEMBLING TELESCOPE



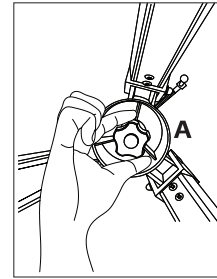
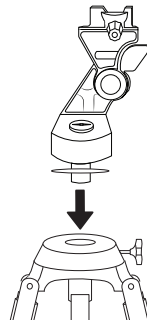
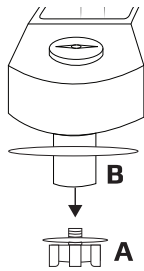
1. Extend **Tripod** legs to widest position. Gently push down **Tray Mount** to secure tripod in place.



2. Loosen **Tripod Leg Knobs**. Pull legs to desired height, then tighten knobs.

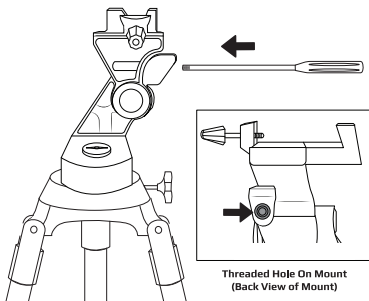


3. Place **Accessory Tray** over Tray Mount and twist to secure.



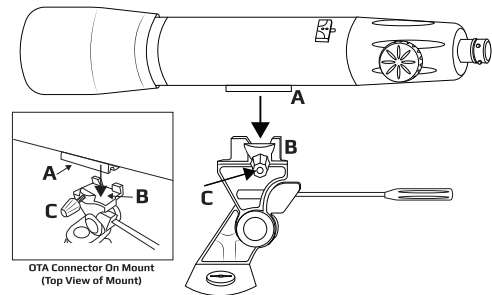
Mount Lock Knob  
(Underneath tripod)

4. Unscrew **Mount Lock Knob (A)** from **Alt-Az Mount (B)**. Attach **Alt-Az Mount** to tripod. Make sure **Mount Plate** (clear plastic disc) is on top of tripod. Screw Mount Lock Knob **(A)** in from underneath the Tripod.



Threaded Hole On Mount  
(Back View of Mount)

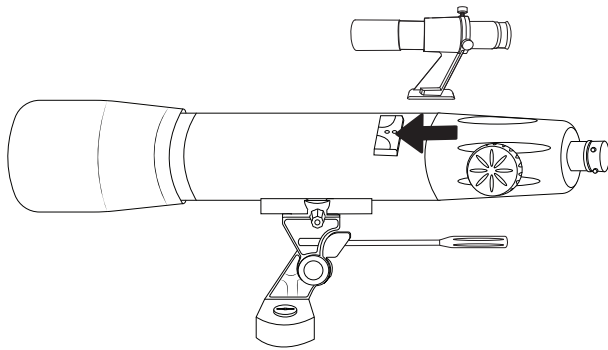
5. Screw **OTA Angle Adjustment Handle** into threaded hole on Alt-Az Mount and tighten.



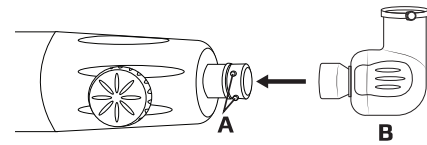
OTA Connector On Mount  
(Top View of Mount)

6. Place **Optical Tube with Saddle Plate (A)** onto **OTA Connector (B)** on Alt-Az Mount and secure with **OTA Securing Knob (C)**.

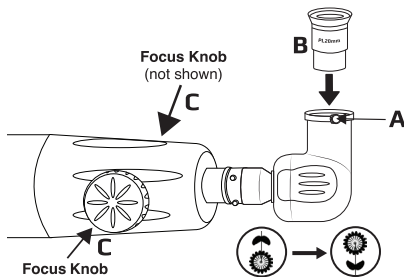
## ASSEMBLING TELESCOPE CONTINUED



7. Slide **Finderscope** into **Finderscope Base** until it locks in place.



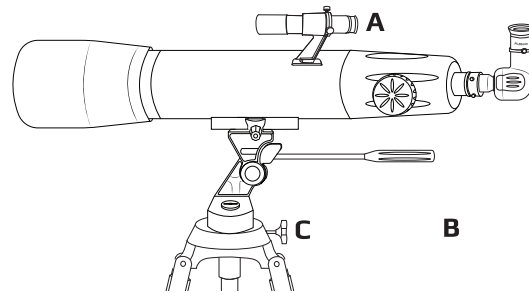
8. Loosen thumbscrews **(A)** on **Focuser Draw Tube**. Slide **Erecting Prism (B)** into Focuser Draw Tube and tighten thumbscrews **(A)** to secure.



9. Loosen thumbscrew **(A)** on Erecting Prism. Slide PL20mm **Eyepiece\* (B)** into Erecting Prism and tighten thumbscrew **(A)** to secure. Erecting Prism will correctly orient image. Adjust **Focus Knobs (C)** on OTA until image is clear.

**IMPORTANT:** Erecting Prism must be used with eyepiece.

\*Finding targets will be easier if you start with PL20mm eyepiece.



10. To adjust the position of the optical tube vertically and horizontally, loosen **Locking Knob (C)** and **OTA Angle Adjustment Handle (B)**. When desired position is reached, tighten locking knob and handle.

**Note:** Locking Knob only locks horizontal movement. With handle unlocked and knob locked, movement can only be in vertical direction.

### Warnings:

- Never use telescope to look directly at or near the sun. Viewing the sun can cause irreversible eye damage.
- Do not point the telescope at the sun even when you are not looking through it. This can cause internal damage to the telescope.
- Do not leave telescope unattended at any time. Untrained adults or children may not be familiar with the correct operating procedures.
- To maintain internal optical alignment, handle telescope with care.

**Customer service:** If you experience any difficulties, please contact us and we will be happy to help you.



✉ info@carson.com



✉ uksupport@carson.com



✉ eusupport@carson.com

For warranty information, visit [www.carson.com/warranty](http://www.carson.com/warranty)