

®
Ruggard
RE

Electronic Dry Cabinet



Model EDC-230LT Shown

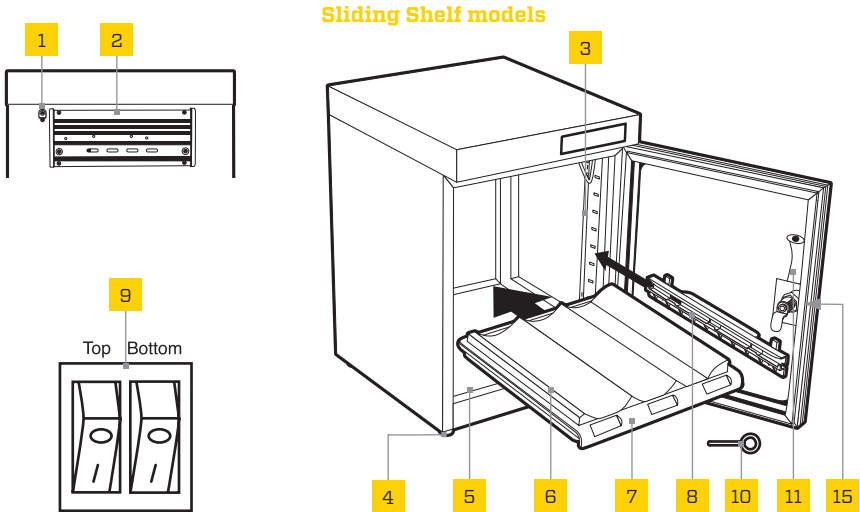
THANK YOU FOR CHOOSING RUGGARD

The Ruggard Electronic Dry Cabinet protects your lenses, photographic and optical equipment, mobile electronics, and other valuable accessories from excessive moisture. Using the cabinet's fast-acting TE Cooling Wafer, you can regulate the interior's relative humidity to help prevent fungus and corrosion from damaging your gear. The cabinet offers silent operation with no fan or compressor, and the unit is driplless, so there's no need for a water tray. The glass door and rubber seal provide extra protection against dust or airborne debris, keeping your gear working great for years.

OVERVIEW

1. DC port
2. Moisture sync
3. LED bulbs
4. Front adjustable leveling feet (some models)
5. Base-foam lining
6. Contoured lens-foam lining
7. Adjustable sliding shelf
8. Shelf brackets (2)
9. Power switches¹

Note: Features vary by model.



¹Independent power switches for top and bottom zones (select models)

PRECAUTIONS

- Do not place any corrosive or flammable materials inside the cabinet.
- Keep this product away from direct sunlight, high temperatures, and windy environments.
- When storing food, medicine, or chemicals, make sure they are stored in a separate and sealed container.
- The weight limit for each shelf is 40 pounds (18.1 kg). Do not overload the shelves.
- This product is for indoor use only.
- All images are for illustrative purposes only.

10.Pin

11.Handle²

12.Adjustable shelf

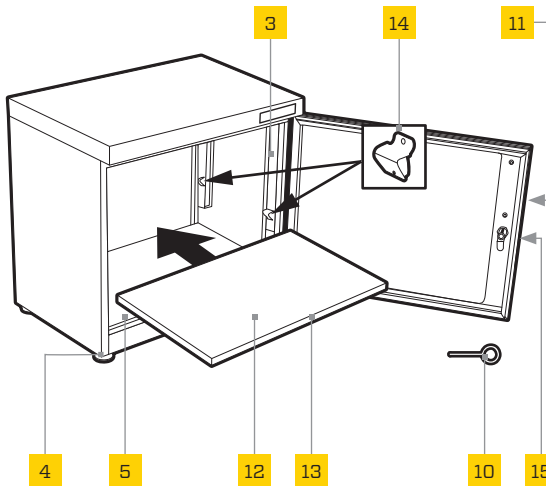
13.Foam lining

14.Shelving brackets (4)

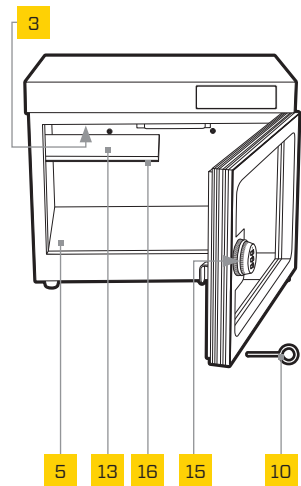
15.Combination lock

16.Fixed shelf

Bracket Shelf models



Fixed Shelf models

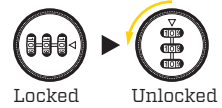


² For some models, the handle is attached to the inside of the unit for shipping. Use a Phillips screwdriver to unscrew and reposition the handle on the outside of the glass. Be careful not to overtighten.

USING THE COMBINATION LOCK (select models)

The cabinet comes with the default combination set to 000.

1. With the door closed, select the default combination, and turn the lock counterclockwise to unlock it.



2. To change the combination, insert the pin and lightly press it into the hole with one hand. Set the combination to the numbers of your choice with the other hand, and then remove the pin.



3. Turn the lock clockwise and scramble the numbers to lock the door.

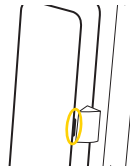
Important: *Keep a record of your combination, and keep it in a safe and accessible place.*

USING THE FINGERPRINT LOCK (select models)

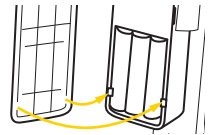
The fingerprint lock keeps your photo and video equipment safe with the touch of a finger. You can easily store up to 20 fingerprints, and the lock offers automatic and manual locking modes.

Installing the Batteries

1. Remove the lock's battery compartment cover and install three AAA batteries (not included). Install the two outside batteries first, and then the middle battery. Make sure to install the batteries in the correct orientation, following the guide on the inside of the battery compartment.



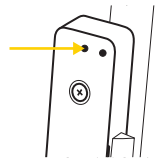
2. Replace the compartment cover, with the notches at the bottom, until it clicks shut.



Adding Fingerprints

Note: *Make sure the key lock is in the vertical position, so the cabinet door lock engages properly.*

1. Remove the battery compartment cover and press and release the config. button. You'll hear a beep, and the fingerprint sensor will turn blue.



2. Place your finger onto the sensor until you hear a beep.

3. Repeat Step 2 five more times. The sensor will turn green when your fingerprint is accepted. If your fingerprint is not accepted, the sensor will beep and turn red. Continue to repeat the steps 1 to 3 until complete.



4. After your fingerprint is stored, the sensor will turn blue again. You can add new fingerprints, while in this blue mode, repeating steps 1 to 3.

Note: *The fingerprint sensor's blue light will turn off after six seconds if another fingerprint is not entered.*

Deleting Fingerprints

Deleting fingerprints will delete all fingerprints stored in the memory. Press and hold the config. button for about four seconds, until you hear four beeps, and then release.

Auto and Manual Locking-Mode Selection

There are two modes for accessing the inside of the Dry Cabinet with Fingerprint Lock. In manual mode, your fingerprint both unlocks and locks the dry cabinet. In automatic mode, your finger unlocks the cabinet, but the unit automatically locks in about four seconds. When you first turn on the Dry Cabinet with Fingerprint Lock, it will be in auto mode. **Warning!** *Switching modes will delete all stored fingerprints.*

To change the mode, press and hold the config. button until you hear a series of four beeps and then two beeps.

Unlocking the Cabinet without a Fingerprint

There are two ways to unlock the cabinet if the batteries are depleted or a person's fingerprint is not stored.

Using the Keys

Insert the key into the key lock, turn clockwise, and open the door.



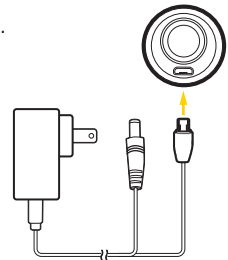
Locked



Unlocked

Using the USB Adapter

1. Insert the USB adapter into the fingerprint lock's USB port.
2. Connect the included power adapter to the USB adapter and a power source.
3. Place your finger on the fingerprint sensor for about one second, until the sensor turns green, and open the door.



Low Battery Warning

If the fingerprint lock has low battery power, it will beep six times. Replace all the AAA batteries immediately.

If the batteries die, see *Unlocking the Cabinet without a Fingerprint*.

TOUCH SCREEN OPERATION

Note: Do not place the rear of the cabinet directly against a wall or other surface. This may reduce the operational efficiency. Keep the door closed to prevent the humidity from increasing inside the cabinet.

Home Screen

The home screen shows the current temperature in F° or C° and the relative humidity level. **Tap** the display to enter the main screen and select options.



Main Screen

Humidity Setting: Select humidity presets and custom adjustment.

Interior Lighting: Toggle the interior light On/Off.

Brightness: Adjust the display brightness level.

Personalize: Personalize menu settings.



Press the O to return to the previous screen.

Humidity Presets and Custom Settings

Electronic component: Sets the humidity level at 30% for electronic components like circuits, microchips, transistors, and capacitors.

Trading Cards: Sets the humidity level at 40% for paper products and trading cards.

P&E: Sets the humidity level at 45% for photographic and electronic equipment.

Custom Setting: Customize the humidity level from 35% to 60%.



Currently selected humidity level

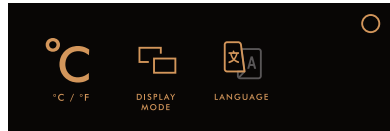
Note: The Electronic Dry Cabinet functions only within 35% to 60% relative humidity, even if you set the value outside that range. The RH % icon on the home screen blinks when adjusting the humidity and becomes solid when the target level is reached.

Personalization Settings

C°/F°: Toggle between displaying the temperature in Celsius or Fahrenheit.

Display Mode: Select between four home screen display colors (Red/Blue, Red/Green, Gold, or White).

Language: Select between English or Chinese.



Note: This unit does not control temperature.

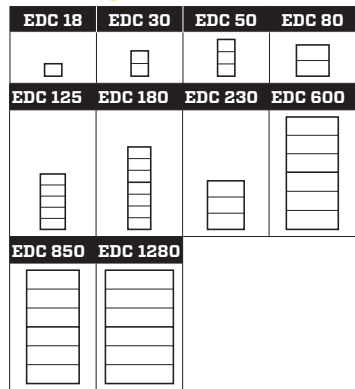
SPECIFICATIONS

	EDC 18	EDC 30	EDC 50	EDC 80
Volume	18 L	30 L	50 L	80 L
Power	110 to 240 V, 50/60 Hz	110 to 240 V, 50/60 Hz	110 to 240 V, 50/60 Hz	110 to 240 V, 50/60 Hz
Relative humidity	60% to 35% ($\pm 7\%$ RH)	60% to 35% ($\pm 7\%$ RH)	60% to 35% ($\pm 7\%$ RH)	60% to 35% ($\pm 7\%$ RH)
Zones	1	1	1	1
Shelf load-bearing capacity	4.4 lb. (2 kg)	17.6 lb. (8 kg)	17.6 lb. (8 kg)	33 lb. (15 kg)
Lock type	Combination	Combination	Combination	Combination, Fingerprint
Finish	Black	Black	Black, Weathered Oak, Red Mahogany	Black, Weathered Oak, Red Mahogany
Dimensions (W × H × D)	13.8 × 11.1 × 10.2 in. (35 × 28.2 × 26 cm)	11.4 × 16.3 × 12.6 in. (29 × 41.3 × 32 cm)	11.4 × 22.8 × 12.6 in. (29 × 57.8 × 32 cm)	21.1 × 19.6 × 14.3 in. (53.7 × 49.8 × 36.2 cm)
Dimensions with feet (W × H × D)	13.8 × 11.5 × 10.2 in. (35 × 29.2 × 26 cm)	11.4 × 16.7 × 12.6 in. (29 × 42.3 × 32 cm)	11.4 × 23.2 × 12.6 in. (29 × 59 × 32 cm)	21.1 × 20.3 × 14.3 in. (53.7 × 51.6 × 36.2 cm)
Weight	8.4 lb. (3.8 kg)	14.3 lb. (6.5 kg)	20 lb. (9.1 kg)	29.5 lb. (13.4 kg)

	EDC 125	EDC 180	EDC 230	EDC 600
Volume	125 L	180 L	230 L	600 L
Power	110 to 240 V, 50/60 Hz	110 to 240 V, 50/60 Hz	110 to 240 V, 50/60 Hz	110 to 240 V, 50/60 Hz
Relative humidity	60% to 35% ($\pm 7\%$ RH)	60% to 35% ($\pm 7\%$ RH)	60% to 35% ($\pm 7\%$ RH)	60% to 35% ($\pm 7\%$ RH)
Zones	1	2	1	2
Shelf load-bearing capacity	17.6 lb. (8 kg)	17.6 lb. (8 kg)	33 lb. (15 kg)	44.1 lb. (20 kg)
Lock type	Combination	Combination	Combination	Combination
Finish	Black, Weathered Oak, Red Mahogany	Black	Black	Black
Dimensions (W × H × D)	16.1 × 34.1 × 15.4 in. (41 × 86.5 × 39 cm)	15 × 51.5 × 15.4 in. (38 × 130.8 × 39 cm)	23.6 × 33.2 × 18.9 in. (60 × 84.3 × 48 cm)	33.5 × 69.3 × 16.9 in. (85 × 176 × 43 cm)
Dimensions with feet (W × H × D)	16.1 × 34.8 × 15.4 in. (41 × 88.3 × 39 cm)	15 × 52 × 15.4 in. (38 × 132 × 39 cm)	23.6 × 33.9 × 18.9 in. (60 × 86 × 48 cm)	33.5 × 72.2 × 16.9 in. (85 × 183.5 × 43 cm)
Weight	42.3 lb. (19.2 kg)	58.4 lb. (26.5 kg)	60.6 lb. (27.5 kg)	158.7 lb. (72 kg)

	EDC 850	EDC 1280
Volume	850 L	1280 L
Power	110 to 240 V, 50/60 Hz	110 to 240 V, 50/60 Hz
Relative humidity	60% to 35% ($\pm 7\%$ RH)	60% to 35% ($\pm 7\%$ RH)
Zones	2	2
Shelf load-bearing capacity	44.1 lb. (20 kg)	44.1 lb. (20 kg)
Lock type	Combination	Combination
Finish	Black	Black
Dimensions (W × H × D)	33.5 × 69.3 × 21.7 in. (85 × 176 × 55 cm)	43.3 × 69.3 × 26.7 in. (110 × 176 × 67.7 cm)
Dimensions with feet (W × H × D)	33.5 × 72.2 × 21.7 in. (85 × 183.5 × 55 cm)	43.3 × 72.2 × 26.7 in. (110 × 183.5 × 67.7 cm)
Weight	172 lb. (78 kg)	253.5 lb. (115 kg)

Size Comparison



RECOMMENDED RELATIVE HUMIDITY (RH) LEVELS

Relative Humidity (RH) Level	Recommended Items
50%-60%	Books, antique documents, paper (fax, copy, print)
40%-50%	Camcorders, cameras, lenses, telescopes, microscopes, endoscopes, compact discs, film negatives, film transparency/slides, microfilm, disk drives, audio and video tapes
35%-40%	Metal and metal powder products, electrical equipment, semiconductors, capacitors, printed circuit boards, IC, batteries and other electronic equipment, precision measuring tools, spectrometers, optics, lenses
25%-30%	Pharmaceutical raw materials, spices, powder coating, adhesives, seeds, pollen, dry flour

FIVE-YEAR LIMITED WARRANTY

This Ruggard product is warranted to the original purchaser to be free from defects in materials and workmanship under normal consumer use for a period of five (5) years from the original purchase date or thirty (30) days after replacement, whichever occurs later. The warranty provider's responsibility with respect to this limited warranty shall be limited solely to repair or replacement, at the provider's discretion, of any product that fails during normal use of this product in its intended manner and in its intended environment. Inoperability of the product or part(s) shall be determined by the warranty provider. If the product has been discontinued, the warranty provider reserves the right to replace it with a model of equivalent quality and function.

This warranty does not cover damage or defect caused by misuse, neglect, accident, alteration, abuse, improper installation or maintenance. EXCEPT AS PROVIDED HEREIN, THE WARRANTY PROVIDER MAKES NEITHER ANY EXPRESS WARRANTIES NOR ANY IMPLIED WARRANTIES, INCLUDING BUT NOT LIMITED TO ANY IMPLIED WARRANTY OF MERCHANTABILITY OR FITNESS FOR A PARTICULAR PURPOSE. This warranty provides you with specific legal rights, and you may also have additional rights that vary from state to state.

To obtain warranty coverage, contact the Ruggard Customer Service Department to obtain a return merchandise authorization ("RMA") number, and return the defective product to Ruggard along with the RMA number and proof of purchase. Shipment of the defective product is at the purchaser's own risk and expense.

For more information or to arrange service, visit www.ruggard.com or call Customer Service at 212-594-2353.

Product warranty provided by the Gradus Group.
www.gradusgroup.com

Ruggard is a registered trademark of the Gradus Group.
© 2025 Gradus Group LLC. All Rights Reserved.

